

Ball valves

Catalogue 3529-UK



Ball valves

Media Guide

The table below lists general recommendations for the selection of valve materials. For specific cases, and for those not included in the Media Guide, it is advisable to check with your Parker representative. There are many specific environmental factors which may affect corrosion rate, such as temperature, solution, concentration and presence of impurities. Therefore, we recommend that the information be used only as a guide to material selection. If any questions exist regarding the expected performance of a material in a given application, actual tests should be performed to determine the suitability of the materials in question.

Fluid	Brass	Carbon steel	Stainless steel (316)	Buna N (Nitrile)	Neoprene	EPR	Fluoro-carbon	PTFE	Acetal	Nylon (Polyamide)
Acetone	E	E	E	U	U	E	U	E	E	E
Acetylene	G	E	E	G	P	E	E	E	E	
Air	E	E	E	E	E	E	E	E	E	E
Alcohol, ethyl	G	G	G	E	G	E	E	E	E	G
Alcohol, methyl	E	G	E	G	E	E	P	E	E	G
Animal oil	G	G	G	E	G	G	E			G
Asphalt emulsion	E	G	E	U	P	U	E	E	E	G
Asphalt liquid	E	G	E	P	P	U	E		E	G
Beer	G	U	E	G	G	G	E	E	E	U
Benzene	G	G	G	U	U	U	G	E		E
Butane	E	G	E	G	G	U	E	E	E	P
Calcium chloride	G	P	G	E	E	G	E	E	E	U
Carbonated water	G	G	E	E	E	E	E	E	E	E
Caustic soda		G	E	P		G	G	E		
Coffee	E		E	E	E	E	E	G		
Cutting oils	E	G	E	E	G		E	E	E	
Diesel oil fuels	E	E	E	E	P	U	E	E		G
Ethanol	E	U	U	U	E	E	U			G
Ethyl alcohol	G	G	G	E	E		E	E		
Ferrous sulphate	G	U	G	E	E	E	E	E	E	U
Gas, natural	G	G	E	E	E	U	E	E	E	
Gasoline, unleaded	E	E	E	P	U	E	E	E	E	E
Glucose	E	G	E	E	E	E	E	E	E	
Glycerine	G	P	E	P	U	E	G	E	P	E
Kerosene	E	G	E	E	P	U	E	E	E	G
Methane	E	G	E	E	G		E	E	E	
Methanol	G		E	G	G	U	G	E		G
Methyl alcohol	G	G	G	E	G		P	E		G
Milk & milk products	G	U	E	E	E	E	E	E	E	G
Mineral oils	G	G	E	E	G	U	E	E	E	G
Naphtha	G	G	G	E	P	U	E	E	E	G
Natural gas, sour	G	G	E	E	E	U	E	E	E	
Nitric acid 100%	U	U	E	U	U	U	G	E	U	U
Nitric acid 30%	U	U	E	P	P	G	E	E	U	U
Nitrogen	E	E	E	E	E	G	E	E	E	G
Paints & solvents	E	E	E	U	U	U	G	E		G
Paper pulp	G		E	G	G	G	G	E		
Paraffin	E	G	E	E	P	U	E	E	E	
Petrolatum (Petroleum Jelly)	G	P	G	E	G		E	E	E	
Propane gas	E	G	G	E	G	U	E	E	E	
Sea water	P	U	G	E	E	E	E	E	E	
Sodium chloride	G	P	G	E	E	G	E	E	E	E
Steam (100°C)	E	E	E	U	U	G	P	E	U	
Sulphur	U	P	G	U	P	G	G	E	E	
Trichlorethylene	G	G	G	U	U	U	G	E	E	U
Water, distilled	E	U	E	P	G	G	E	E	E	E
Water, fresh	E	P	E	P	G	G	E	E	E	E

E = Excellent

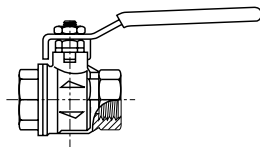
G = Good

P = Poor

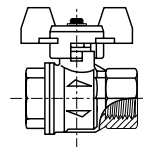
U = Unsatisfactory

Index

BVGC series -
BSPP short
threads - General
purpose

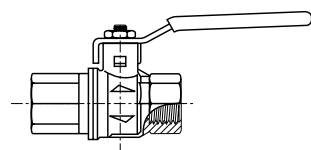


female / female valve
with lever handle
BSPP
BVGC - p. M 5

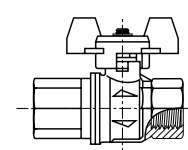


female / female valve
with compact handle
BSPP
BVGTC - p. M 5

BVGL series -
BSPP long
threads - General
purpose

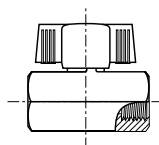


female / female valve
with lever handle
BSPP
BVGL - p. M 7



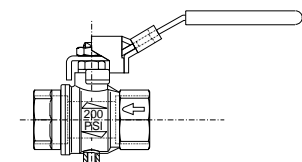
female / female valve
with compact handle
BSPP
BVGTL - p. M 7

MBVG series -
BSPP short
threads - Compact



female / female valve
BSPP
MBVG - p. M 9

BVG4PLOCK
series -
BSPP-long
threads -
lockable vented
valve



female / female valve
BSPP
BVG4PLOCK - p. M 11

M

Ball valves

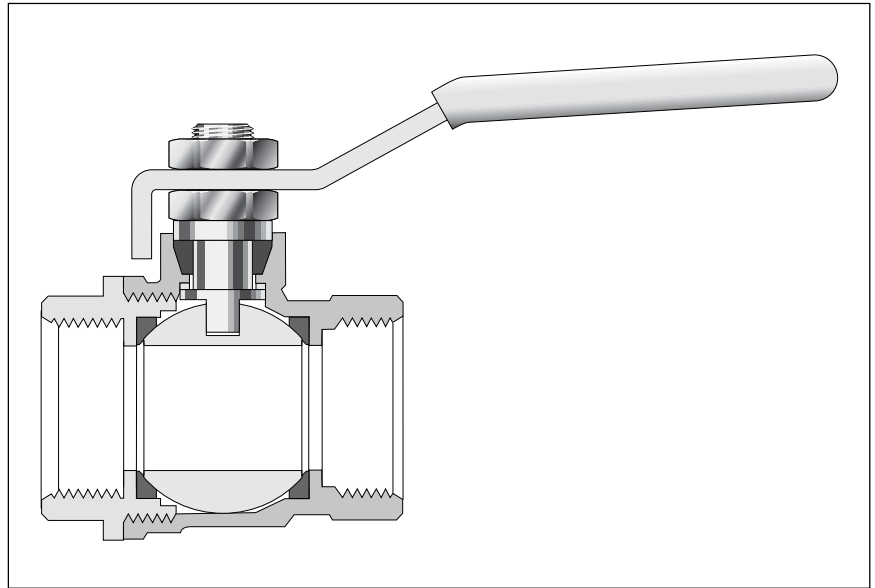
BVGC series

Principle

Parker BVGC series economy ball valves are designed for use in a wide variety of fluid applications. Available with BSPP female/female* short threads to ISO-228, they are full flow valves giving minimum pressure drop.

The BVGC series has a double PTFE seal on the ball enabling the valve to be used with flow in either direction.

All seals are treated with a silicone free lubricant enabling the valves to be used in water-based paint spray applications.-BVGC series valves have an adjustable PTFE packing gland for easy maintenance and longer service



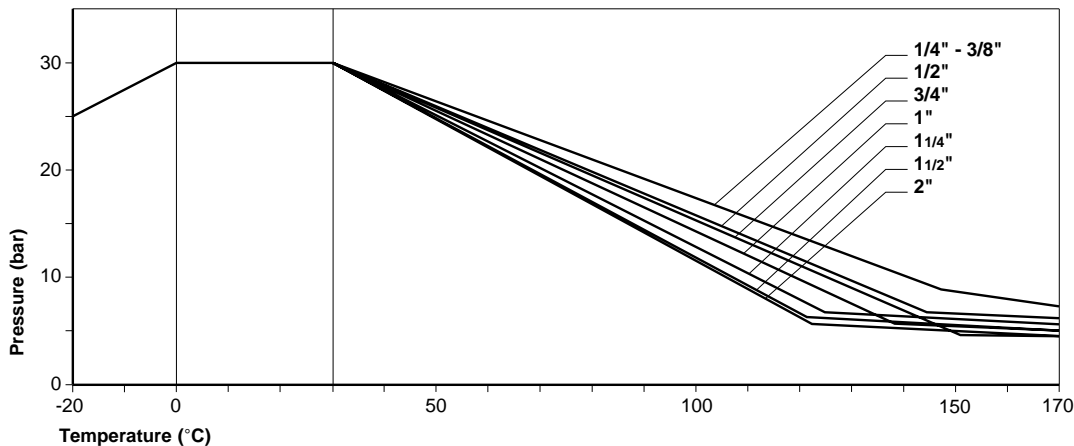
For operator safety the BVGC series valves are fitted with anti-extrusion stems to prevent blow out and all valves are 100% pressure tested to ensure zero leakage.

* For other thread configurations please consult your Parker sales engineer.

Technical features

Body	Lever handle	Compact handle	Anti extrusion stem	Stem packing gland	Ball	Anti friction ring	Forcing nut	Threads	Pressure
Nickel plated brass to DIN17660 and UNI5705 spec.	Carbon steel with yellow PVC coating	Aluminium with yellow epoxy coating	Nickel plated brass	PTFE	Brass chrome plated	PTFE	Nickel plated brass	1/4" - 2" BSPP to ISO228/ DIN259	See chart below

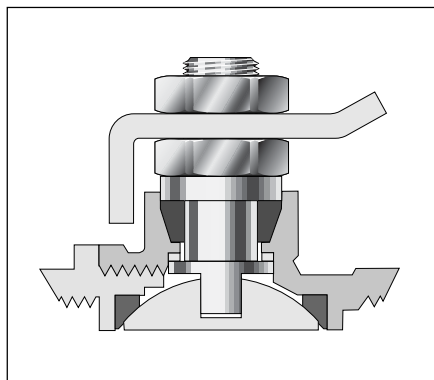
Operating pressures and temperatures



N.B.

This chart gives general information. Only testing under operating conditions will finally determine which valve should be selected.

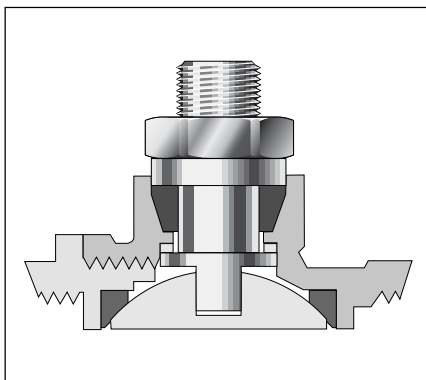
Advantages



Adjustable packing

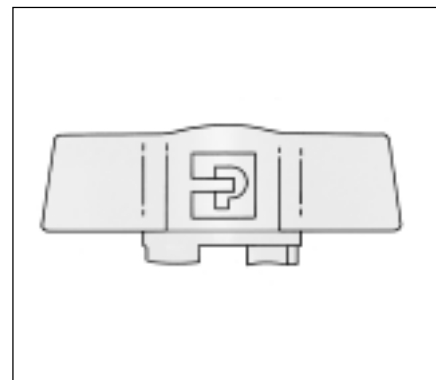
The PTFE packing gland and adjustable washer are designed to give longer service life and lower operating torques.

See instruction 3529-F/GB/D contained in each box.



Anti extrusion stem

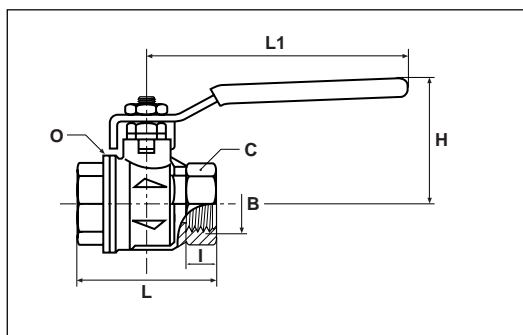
The BVGC series ball valves are fitted with an anti-extrusion stem to prevent blow out in the case of pressure peaks.



Compact handle

For applications where space is at a premium, the BVGC series valve is available with a compact handle for sizes up to 1".

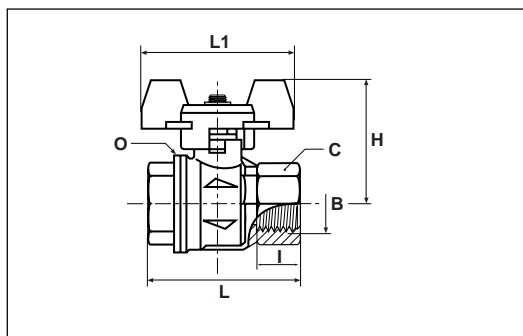
BVGC - BSPP female / female valve with lever handle



DN mm	B	Part number	C	H	L	L1	O	I	Weight g.
8	1/4	BVG4-1/4C	20	39.5	39	82	25.0	9	130
10	3/8	BVG4-3/8C	20	39.5	39	82	25.0	9	120
15	1/2	BVG4-1/2C	25	44.0	50	100	32.5	11	200
20	3/4	BVG4-3/4C	31	50.0	54	120	39.0	12	312
25	1	BVG4-1C	38	54.0	67	120	47.5	14	440
32	1.1/4	BVG4-1.1/4C	48	76.5	77	158	59.0	15	730
40	1.1/2	BVG4-1.1/2C	54	82.5	90	158	71.5	17	972
50	2	BVG4-2C	66	89.5	106	158	86.0	19	1500

This series is also available with red handle.-To order, add R to the part number, eg. **BVG4-1/4CR**.

BVGT4 - BSPP female / female valve with compact handle



DN mm	B	Part number	C	H	L	L1	O	I	Weight g.
8	1/4	BVGT4-1/4C	20	40	39	50	25.0	9	130
10	3/8	BVGT4-3/8C	20	40	39	50	25.0	9	120
15	1/2	BVGT4-1/2C	25	44	50	50	32.5	11	180
20	3/4	BVGT4-3/4C	31	49	54	60	39.0	12	265
25	1	BVGT4-1C	38	53	67	60	47.5	14	390

For product availability please consult our price list 0093-UK.
Dimensions shown may be changed at any time without prior notice.

Ball valves

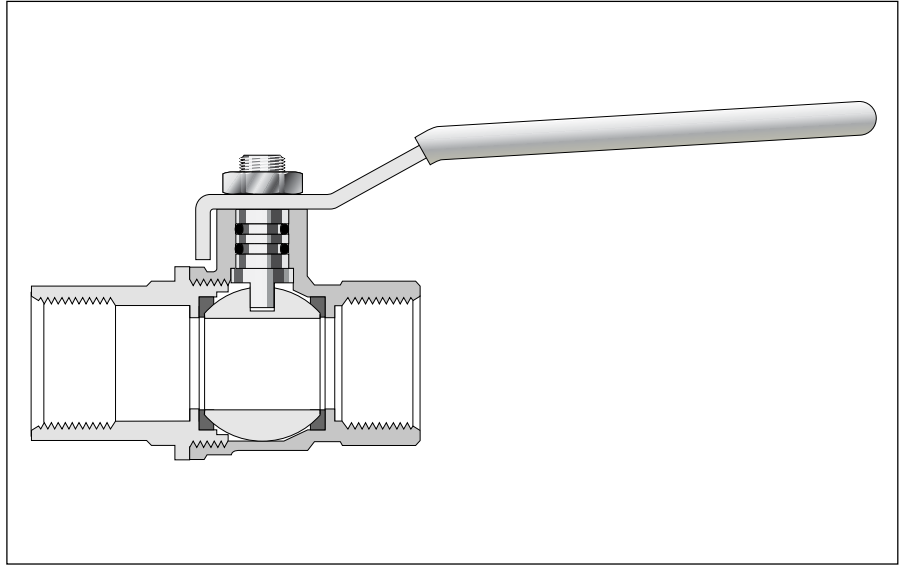
BVGL series

Principle

Parker BVGL series valves are designed for use in fluid and gas applications and are DVGW approved. The valve dimensions are in accordance with DIN3357 for interchangeability and are available with BSPP female/female* long threads to DIN 2999/ ISO 228.

These full flow ball valves have a chrome plated ball with a double PTFE seal system enabling the valve to be used with flow in either direction.

All seals are treated with a silicone free lubricant enabling the valves to be used in water based paint spray applications.



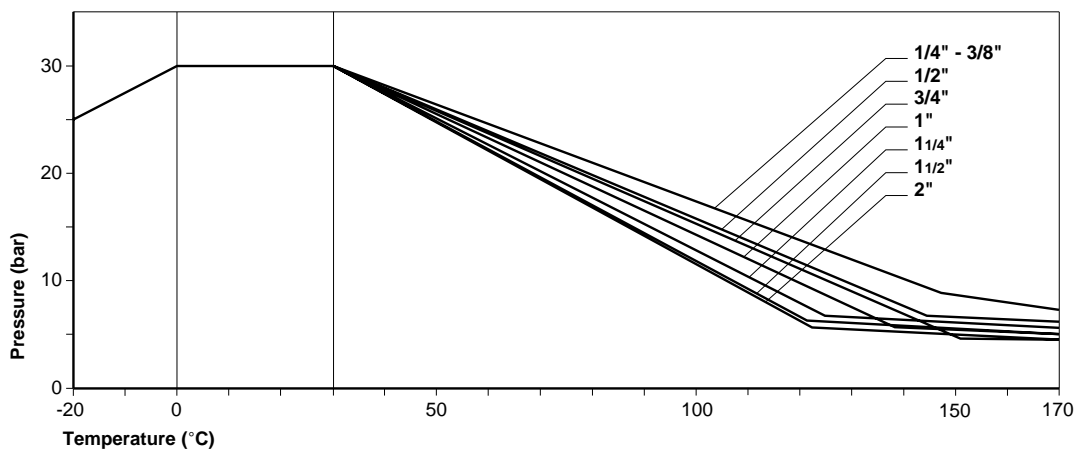
BVGL series valves are fitted with an anti-extrusion stem with two Fluorocarbon seals for maximum safety and performance. After assembly all valves are 100% pressure tested to ensure zero leakage.

* For other thread configurations please consult us.

Technical features

Body	Lever handle	Compact handle	Anti extrusion stem	Stem seal	Ball	Anti friction ring	Forcing nut	Valve dimensions	Pressure
Brass nickel plated to DIN17660 and UNI5705 spec.	Carbon steel with yellow PVC coating	Aluminium with yellow epoxy coating	Brass nickel plated	Two Fluorocarbon O-rings	Brass chrome plated	PTFE	Brass nickel plated	In accordance with DIN3357	See chart below

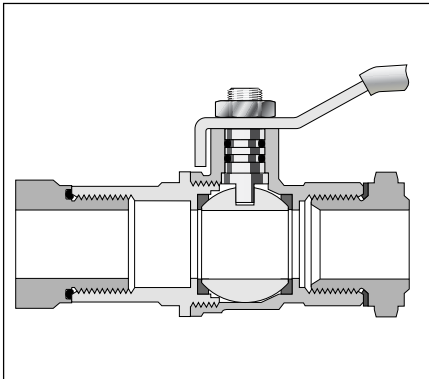
Operating pressures and temperatures



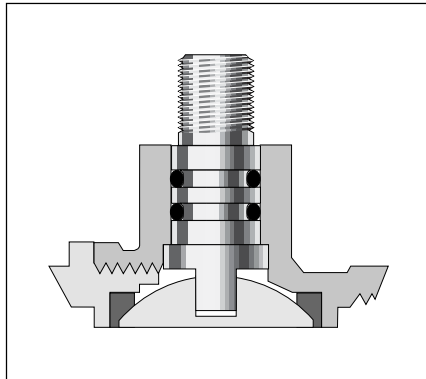
N.B.

This chart gives general information. Only testing under operating conditions will finally determine which valve should be selected.

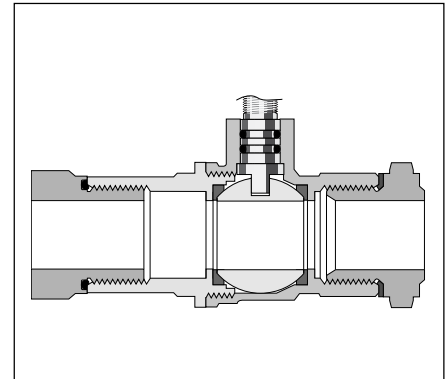
Advantages



DIN 2999 / ISO 228 female threads
BVGL series valves are manufactured with long female threads in accordance to DIN 2999 / ISO 228. This enables the valves to be used with Prestolok, Metrulok and brass adaptors but also Parker's range of steel hydraulic fittings and EO-fittings form "A" or "C" to DIN 3852.

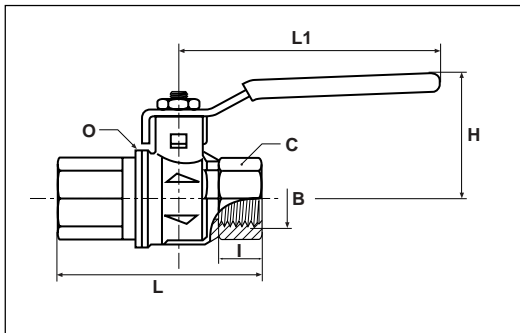


Anti extrusion stem
The BVGL series ball valves are fitted with an anti extrusion stem to prevent blow out in the case of pressure peaks. The stem is sealed with two Fluorocarbon O-rings for maximum safety and performance.



Full flow
All BVGL series valves are full-flow. This limits the turbulence created by the passage of fluid across the valve, minimizing pressure drop.

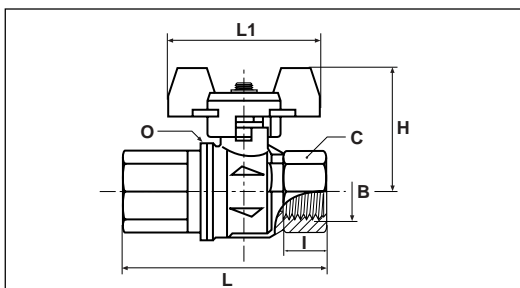
BVGL- BSPP female / female valve with lever handle



DN mm	B	Part number	C	H	L	L1	O	I	Weight g.
8	1/4	BVG4-1/4L	20	38	50	82	25.0	12.0	150
10	3/8	BVG4-3/8L	20	38	60	82	25.0	12.0	150
15	1/2	BVG4-1/2L	25	43	75	100	32.5	15.5	255
20	3/4	BVG4-3/4L	32	50	80	120	39.0	17.0	390
25	1	BVG4-1L	41	54	90	120	47.5	21.0	590
32	1.1/4	BVG4-1.1/4L	50	73	110	158	59.0	23.0	980
40	1.1/2	BVG4-1.1/2L	55	79	120	158	71.5	23.0	1205
50	2	BVG4-2L	70	86	140	158	86.0	26.5	1960

This series is also available with red handle.-To order, add R to the part number, eg. **BVG4-1/4LR**.

BVGTL - BSPP female / female valve with compact handle



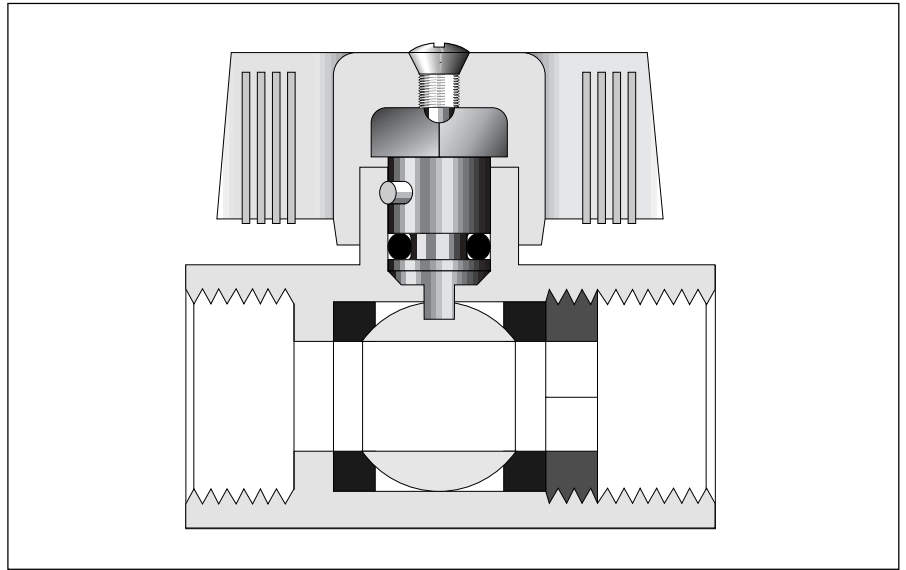
DN mm	B	Part number	C	H	L	L1	O	I	Weight g.
8	1/4	BVGT4-1/4L	20	39	50	50	25.0	12.0	150
10	3/8	BVGT4-3/8L	20	39	60	50	25.0	12.0	150
15	1/2	BVGT4-1/2L	25	43	75	50	32.5	15.5	230
20	3/4	BVGT4-3/4L	32	47	80	60	39.0	17.0	350
25	1	BVGT4-1L	41	51	90	60	47.5	21.0	550

Ball valves

MBVG series

Principle

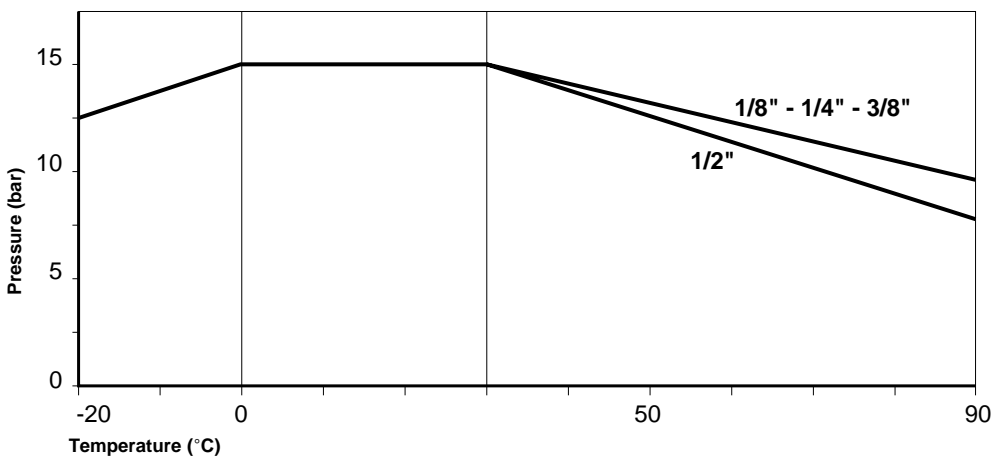
The MBVG series ball valves with their compact design offer the solution to applications where space is an important factor. The body is of a particularly robust design. The integrity of the sealing on the ball is obtained by the use of PTFE seats. The valves are available with BSPP female threads ISO-228/1 (DIN 299) in : 1/4" 3/8" and 1/2" .



Technical features

Body	Handle retention screw	Handle	Stem	Stem seal	Ball	Anti-extrusion guide pin	Nut	Seat seals	Pressure
Brass chromium plated	Brass chromium plated	Polyamide	Brass	Fluorocarbon	Brass	Stainless chromium plated	Brass steel	PTFE	See chart below

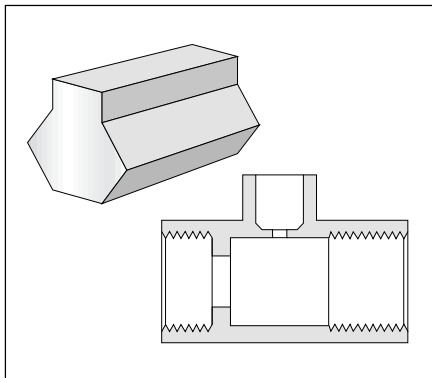
Operating pressures and temperatures



N.B.

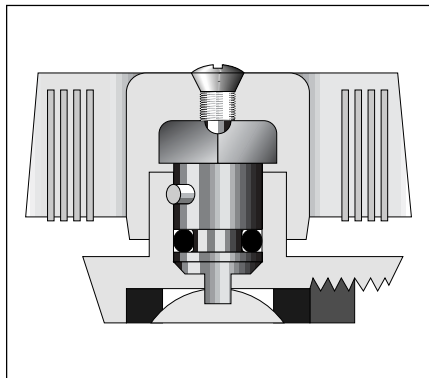
This chart gives general information. Only testing under operating conditions will finally determine which valve should be selected.

Advantages



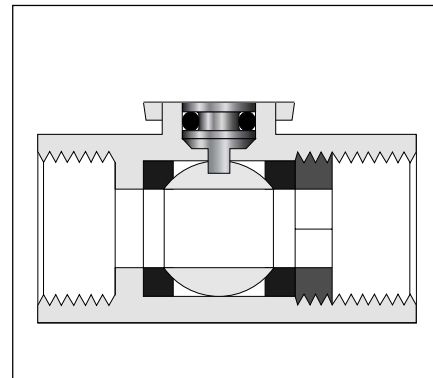
Design of the body

The valve is manufactured from a solid section which incorporates the stem housing in the body. This design allows excellent guidance of the stem, which increases its lifespan.



Stem tightness

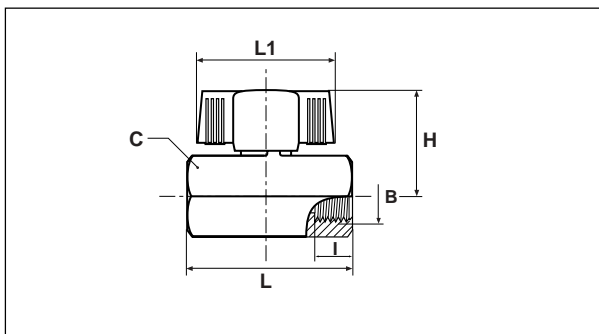
A Fluorocarbon O-ring assembled under compression automatically compensates for minute friction wear. Thus a high standard of seal is



Tightness of the seals

The perfect tightness of the seals on the casing is obtained by the preset force of the nut, adjusted during assembly.

MBVG - BSPP female / female valve



DN mm	B	Part number	C	H	L	L1	I	Weight g.
8	1/4	MBVG4-1/4	21	31.5	41.5	39	11	115
8	3/8	MBVG4-3/8	21	31.5	41.5	39	11	102
10	1/2	MBVG4-1/2	25	33.5	48.0	39	13	150

Availability of the items : please consult our price list 0093-UK.
Dimensions shown may be changed at any time without prior notice.

Ball valves

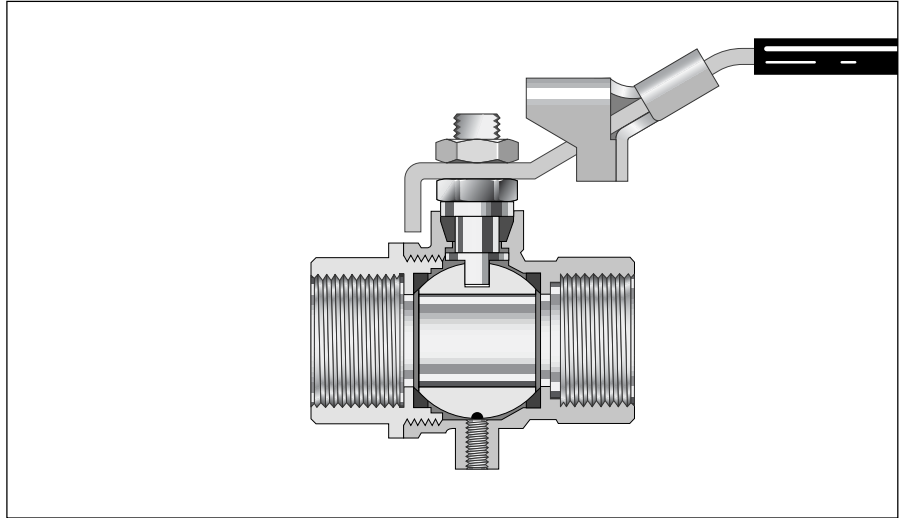
BVGPLOCK series

Principle

Parker BVGPLOCK series of ball valves has been developed to meet the requirements of European Directive DI 89/392/CEE relating to the isolation of power supply and to meet the health and safety requirements for machines and materials in paragraphs L233-5 of the Code du Travail.

The BVGPLOCK series of ball valves incorporate two specific safety features :

- An M5 threaded venting port enabling downstream pressure to be vented when the valve is closed.



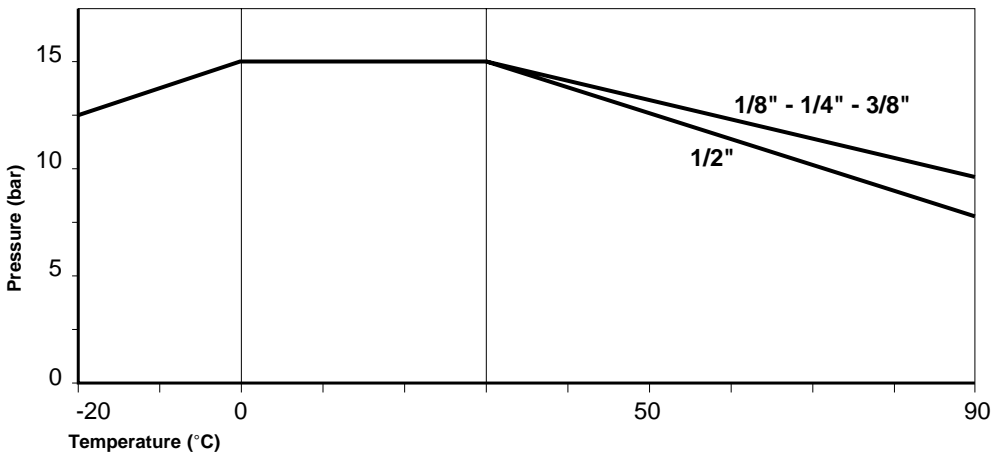
mechanism enabling the valve to be padlocked in the open position, thus preventing tampering or accidental closure of the valve during operation.

All seals are treated with a silicone free lubricant enabling them to be used in water based paint spray applications.

Technical features

Body	Lever handle	Anti extrusion stem	Stem packing gland	Ball	Anti friction ring	Forcing nut	Valve dimensions	Pressure
Brass nickel plated to DIN17660 and UNI5705 spec.	Carbon steel with yellow PVC coating	Brass nickel plated	PTFE	Brass chrome plated	PTFE	Brass nickel plated	In accordance with DIN3357	See chart below

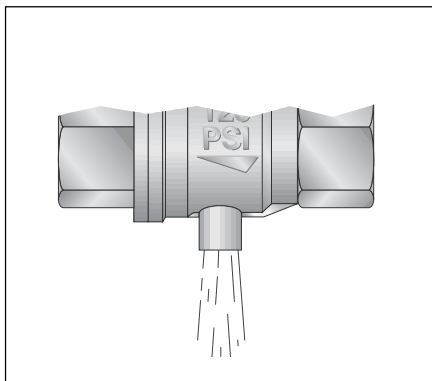
Operating pressures and temperatures



N.B.

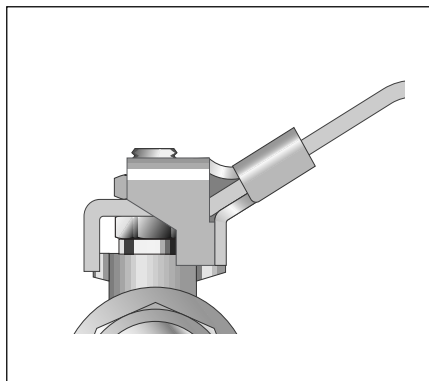
This chart gives general information. Only testing under operating conditions will finally determine which valve should be selected.

Ball valves



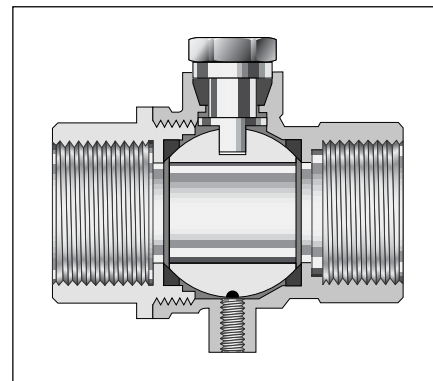
Threaded exhaust

BVGPLOCK series ball valves are manufactured with an M5 threaded exhaust port, this safety feature enables the downstream air pressure to be vented when the valve is closed.



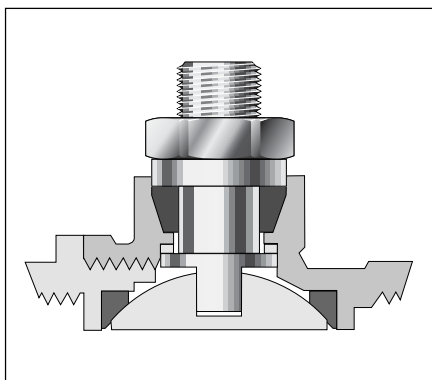
Lockable handle

The BVGPLOCK series ball valves are fitted with a handle that can be locked in the closed position with a padlock. This safety feature ensures the valve cannot be accidentally opened, and only authorised personnel can operate the valve.



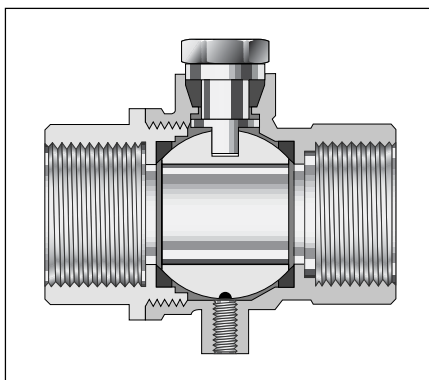
DIN 2999 / ISO 228 female threads

BVGPLOCK series valves are manufactured with female threads in accordance to DIN 2999/ISO228. This enables the valves to be used with Prestolok, Metrulok and brass adaptors but also Parker's range of steel hydraulic fittings and EO-fittings form "A" or "C" to DIN 3852.



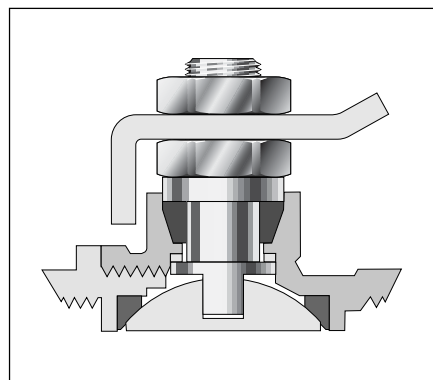
Anti extrusion stem

The BVGPLOCK series ball valves are fitted with an anti-extrusion stem to prevent blow out in the case of pressure peaks.



Full flow

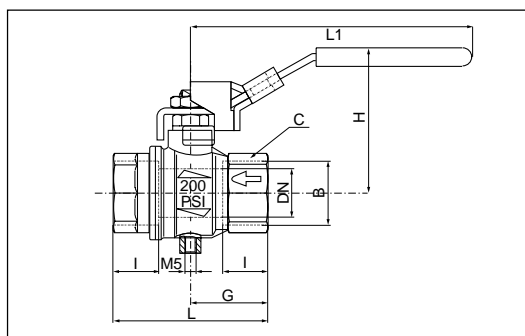
All BVGPLOCK series valves are full-flow. This limits the turbulence created by the passage of fluid across the valve, minimizing pressure drop.



Adjustable packing

The PTFE packing gland and adjustable washer are designed to give longer service life and lower operating torques.

BVG4PLOCK - BSPP-female / female lockable vented valve with lever handle



DN	B	Part number	C	G	H	I	L	L1	Weight g.
8	1/4	BVG4P-1/4LOCK	20	22.5	47.5	12.0	45	96	154
10	3/8	BVG4P-3/8LOCK	20	22.5	47.5	12.0	45	96	171
16	1/2	BVG4P-1/2LOCK	25	29.5	52.0	15.5	59	96	238
20	3/4	BVG4P-3/4LOCK	31	32.0	59.5	17.0	64	117	370
25	1	BVG4P-1LOCK	40	40.5	63.5	21.0	81	117	580