

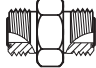
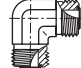
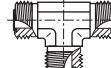
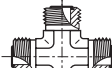
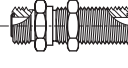
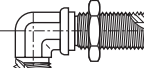
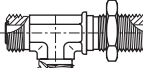


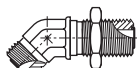

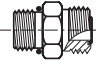
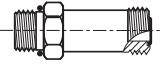
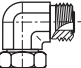

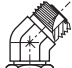
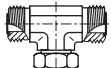
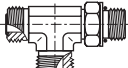
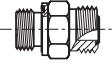
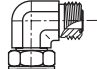

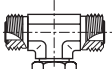
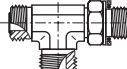
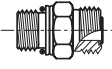
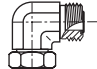
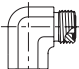

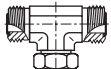
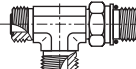
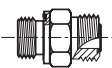


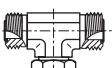
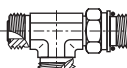
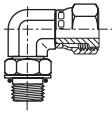
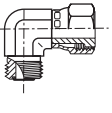
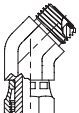
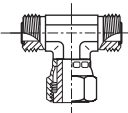
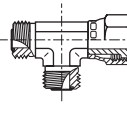


O-Lok[®]


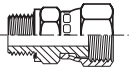
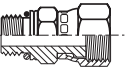

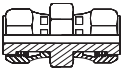
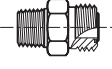
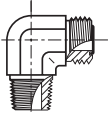
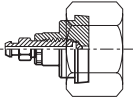
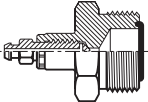
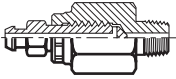
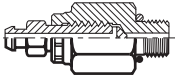
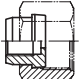
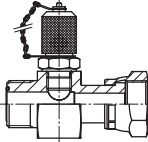
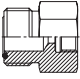
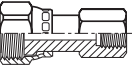
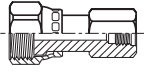
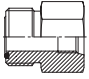
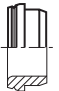

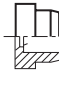
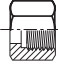

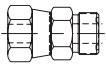
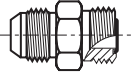
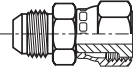

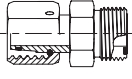
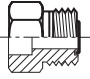
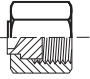
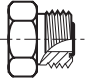


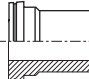
O-Ring face seal tube fittings



Visual index

| | |
|---|--|
| <p>Tube-Tube unions</p> | <div style="display: flex; justify-content: space-around; align-items: center;">     </div> <div style="display: flex; justify-content: space-around; align-items: center; margin-top: 10px;"> <div style="text-align: center;">HMLO p. J9</div> <div style="text-align: center;">EMLO p. 10</div> <div style="text-align: center;">JMLO p. J11</div> <div style="text-align: center;">KLO p. J12</div> </div> |
| <p>Bulkhead unions</p> | <div style="display: flex; justify-content: space-around; align-items: center;">        </div> <div style="display: flex; justify-content: space-around; align-items: center; margin-top: 10px;"> <div style="text-align: center;">WMLO p. J13</div> <div style="text-align: center;">WEMLO p. J14</div> <div style="text-align: center;">WJJLO p. J17</div> <div style="text-align: center;">WJLO p. J16</div> <div style="text-align: center;">WF5OLO p. J29</div> <div style="text-align: center;">WNLO p. J15</div> <div style="text-align: center;">WLNML p. J72</div> </div> |
| <p>Tube to UNF thread</p> | <div style="display: flex; justify-content: space-around; align-items: center;">        </div> <div style="display: flex; justify-content: space-around; align-items: center; margin-top: 10px;"> <div style="text-align: center;">F50MLO p. J27</div> <div style="text-align: center;">FF50MLO p. J28</div> <div style="text-align: center;">C50MLO p. J39</div> <div style="text-align: center;">CC50LO p. J40</div> <div style="text-align: center;">V50MLO p. J45</div> <div style="text-align: center;">S50MLO p. J49</div> <div style="text-align: center;">R50MLO p. J53</div> </div> |
| <p>Tube to BSPP thread</p> | <div style="display: flex; justify-content: space-around; align-items: center;">      </div> <div style="display: flex; justify-content: space-around; align-items: center; margin-top: 10px;"> <div style="text-align: center;">F42EDMLO p. J30</div> <div style="text-align: center;">C40MLO p. J41</div> <div style="text-align: center;">V40MLO p. J46</div> <div style="text-align: center;">S40MLO p. J50</div> <div style="text-align: center;">R40MLO p. J54</div> </div> |
| <p>Tube to metric ISO 6149-2 thread</p> | <div style="display: flex; justify-content: space-around; align-items: center;">       </div> <div style="display: flex; justify-content: space-around; align-items: center; margin-top: 10px;"> <div style="text-align: center;">F870MLO p. J26</div> <div style="text-align: center;">C870MLO p. J37</div> <div style="text-align: center;">CC870MLO p. J38</div> <div style="text-align: center;">V870MLO p. J44</div> <div style="text-align: center;">S870MLO p. J48</div> <div style="text-align: center;">R870MLO p. J52</div> </div> |
| <p>Tube to metric DIN 3852 thread</p> | <div style="display: flex; justify-content: space-around; align-items: center;">      </div> <div style="display: flex; justify-content: space-around; align-items: center; margin-top: 10px;"> <div style="text-align: center;">F82EDMLO p. J31</div> <div style="text-align: center;">C80MLO p. J42</div> <div style="text-align: center;">V80MLO p. J47</div> <div style="text-align: center;">S80MLO p. J51</div> <div style="text-align: center;">R80MLO p. J55</div> </div> |
| <p>Swivel fittings</p> | <div style="display: flex; justify-content: space-around; align-items: center;">      </div> <div style="display: flex; justify-content: space-around; align-items: center; margin-top: 10px;"> <div style="text-align: center;">AOEL6 p. J18</div> <div style="text-align: center;">C6MLO p. J19</div> <div style="text-align: center;">V6LO p. J20</div> <div style="text-align: center;">S6MLO p. J21</div> <div style="text-align: center;">R6MLO p. J22</div> </div> |

Visual index

| | | | | | | | |
|----------------------------------|---|---|--|---|--|--|---|
| Swivel nut to straight thread |  F642EDMLO p. J35 |  F682EDMLO p. J36 |  F6870ML p. J33 |  F650L p. J34 |  HL6 p. J25 | | |
| Tube to NPTF thread |  FLO p. J32 |  CLO p. J43 | <p>Taper threads should not be used for new projects or designs. Parker Hannifin recommends elastomerically sealed components.</p> | | | | |
| Bleed adapters |  FNLBA p. J69 |  PNLOBA p. J70 |  HPBA p. J71 |  P50NBA p. J71 | | | |
| Test point and gauge adapters |  TTP4ML p. J60 |  R6P4MLO p. J61 |  G4MLOSMO p. J57 |  TT4ML p. J58 |  TT8ML p. J59 |  G87MLO p. J56 | |
| Sleeves for metric and inch tube |  TPL p. J6 |  TL p. J7 |  TL-Reducer sleeve p. J8 | <p>Nuts & Reducers</p>  BML/BL p. J5 | |  TRMLO p. J23 |  LOHL6 p. J24 |
| Nuts & Reducers |  XHML0 p. J65 |  XHML6 p. J66 |  LOHMX6 p. J67 |  LOHU86 p. J68 | | | |
| Accessories |  LOHB3 p. J62 |  FNML p. J63 |  PNML0 p. J64 |  O-ring p. J73-74 |  SBR Braze ring p. J75 |  TW3L p. J72 | |

J

How to order O-Lok® fittings

Example Order code **6-8 C 5 O M L O S**

1 2 3 4 5 6 7 8

1 Order codes for tube and port thread ends

| Dash Size | Tube Size (Inch) | Tube Size (mm) | Port Thread Size (Inch) BSPP/BSPT/NPT | Port Thread Size UN / UNF |
|-----------|------------------|----------------|---------------------------------------|---------------------------|
| 4 | 1/4 | 6 | 1/4 | 7/16-20 |
| 5 | | | | 1/2-20 |
| 6 | 3/8 | 8,10 | 3/8 | 9/16-18 |
| 8 | 1/2 | 12 | 1/2 | 3/4-16 |
| 10 | 5/8 | 14,15,16 | 5/8 | 7/8-14 |
| 12 | 3/4 | 18,20 | 3/4 | 1 1/6-12 |
| 14 | | | | 1 3/6-12 |
| 16 | 1 | 25 | 1 | 1 5/6-12 |
| 20 | 1 1/4 | 28,30,32 | 1 1/4 | 1 5/8-12 |
| 24 | 1 1/2 | 35,38 | 1 1/2 | 1 7/8-12 |
| 32 | 2 | 50 | 2 | 2 1/2-12 |

Metric port threads are shown as per example 4M12C87OMLOS

3 Threads and sealing methods

| Code | Description |
|------|--|
| None | NPT/NPTF Thread |
| 3 | BSPT Thread |
| 4 | BSPP Thread O-Ring & Retainer Ring |
| 42 | BSPP Thread EOLASTIC seal 'ED' |
| 5 | UN/UNF Thread (O-Ring Seal) |
| 8 | Metric Thread O-Ring & Retainer Ring |
| 82 | Metric Thread EOLASTIC seal 'ED' |
| 87 | Metric ISO 6149 Thread (O-Ring Seal) |
| 63 | Swivel Connector BSPT end |
| 64 | Swivel Connector BSPP end (O-Ring & Retainer Ring) |
| 642 | Swivel Connector BSPP end (EOLASTIC Seal 'ED') |
| 65 | Swivel Connector UN/UNF end (O-Ring seal) |
| 68 | Swivel Connector Metric end (O-Ring & Retainer Ring) |
| 682 | Swivel Connector Metric end (EOLASTIC Seal 'ED') |
| 687 | Swivel Connector Metric ISO 6149 end |

2 Codes for fitting styles/shapes

| Code | Description |
|--------|-----------------------------------|
| AE6 | Straight Thread Swivel |
| B | Nut |
| C | Male Stud elbow |
| CC | Extended Male Stud elbow |
| C6 | Swivel Nut Elbow |
| E | Union elbow |
| F | Male Stud connector |
| FF | Extended Male Stud connector |
| F6 | Male Stud Swivel |
| FN | Cap |
| FNLBAS | Bleed Adapter Cap |
| G | Female Connector |
| H | Straight union |
| H6 | Swivel/Swivel Adapter |
| J | Union Tee |
| K | Union Cross |
| LOHB3 | Braze Adapter |
| LOHX6 | Triple-Lok® Swivel/O-Lok® Adapter |
| M | Female Run Tee |
| O | Female Branch Tee |
| PN | Plug |
| PNLOBA | Bleed Adapter Plug |
| R | Male Stud Run Tee |
| R6 | Swivel Run Tee |
| S | Male Stud Branch Tee |
| S6 | Swivel Branch Tee |
| SBR | Braze Ring |
| TPL | Parflange® sleeve |
| TL | Brazed sleeve |
| TR | Tube End Reducer |
| TT | Test Point Adapter |
| TW3 | Weld Nipple |
| V | 45° male stud elbow |
| V6 | Swivel Nut 45° Elbow |
| W | Bulkhead Union |
| WE | Bulkhead Union Elbow |
| WJJ | Bulkhead Run Tee |
| WJT | Bulkhead Branch Tee |
| WLNML | Bulkhead Locknut |
| WN | Bulkhead 45° union elbow |
| XHL6 | Triple Lok®/Swivel O-Lok® adaptor |
| XHLO | Triple Lok®/O-Lok® male adaptor |

4 Stud connector seal

| Code | Description |
|---------|--|
| O | O-Ring Seal (Assembled on fitting) |
| ED | Captive EOLASTIC Seal (Assembled on fitting) |
| No Code | No Seal (O-Ring not assembled on fitting) |

5 Hexagon/ Across flats style

| Code | Description |
|---------|--------------------------|
| M | Metric Hexagon Dimension |
| No Code | Inch Hexagon Dimension |

6 Fitting type

| Code | Description |
|------|---------------|
| L | Parker O-Lok® |

7 Tube connection seal ORFS

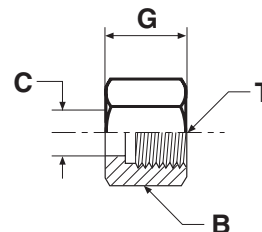
| Code | Description |
|---------|------------------------------------|
| O | O-Ring Seal (Assembled on Fitting) |
| No Code | No Seal/O-Ring |

8 Fitting material

| Code | Description |
|------|-----------------|
| S | Steel |
| SS | Stainless Steel |
| B | Brass |

BML Nut

O-Lok® ORFS tube nut
SAE 52M0110 ISO 8434-3 NA

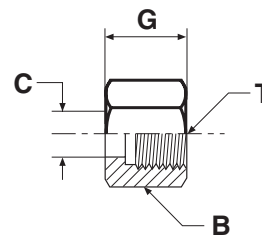


| Tube O.D. | | Thread UN/UNF-2B T | B mm | C mm | G mm | Weight (steel) g/1 piece | O-Lok® Steel | O-Lok® Stainless Steel |
|------------|-----------|--------------------|------|------|------|--------------------------|---------------|------------------------|
| mm | in. | | | | | | | |
| 6 | 1/4 | 9/16-18 | 17 | 11 | 15 | 14 | 4BMLS | 4BMLSS |
| 8, 10 | 5/16, 3/8 | 11/16-16 | 22 | 14 | 17 | 17 | 6BMLS | 6BMLSS |
| 12 | 1/2 | 13/16-16 | 24 | 17 | 20 | 29 | 8BMLS | 8BMLSS |
| 14, 15, 16 | 5/8 | 1-14 | 30 | 21 | 24 | 46 | 10BMLS | 10BMLSS |
| 18, 20 | 3/4 | 1 3/16-12 | 36 | 24 | 27 | 69 | 12BMLS | 12BMLSS |
| 22, 25 | 1 | 1 7/16-12 | 41 | 29 | 28 | 109 | 16BMLS | 16BMLSS |
| 28, 30, 32 | 1 1/4 | 1 11/16-12 | 50 | 36 | 28 | 126 | 20BMLS | 20BMLSS |
| 35, 38 | 1 1/2 | 2-12 | 60 | 44 | 28 | 195 | 24BMLS | 24BMLSS |
| 50 | 2 | 2 1/2-12 | 75 | 56 | 33 | 800 | 32BMLS | 32BMLSS |

Part numbers shown are part of our current manufacturing programme.

BL Nut

O-Lok® ORFS tube nut
SAE 520110

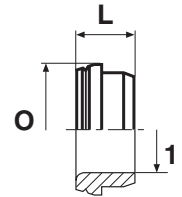


| Tube O.D. | | Thread UN/UNF-2B T | B in. | C mm | G mm | Weight (steel) g/1 piece | O-Lok® Steel | O-Lok® Stainless Steel |
|------------|-----------|--------------------|-------|------|------|--------------------------|----------------|------------------------|
| mm | in. | | | | | | | |
| 6 | 1/4 | 9/16-18 | 11/16 | 10 | 15 | 16 | 4 BL-S | 4 BL-SS |
| 8, 10 | 5/16, 3/8 | 11/16-16 | 13/16 | 14 | 17 | 24 | 6 BL-S | 6 BL-SS |
| 12 | 1/2 | 13/16-16 | 15/16 | 17 | 21 | 37 | 8 BL-S | 8 BL-SS |
| 14, 15, 16 | 5/8 | 1-14 | 1 1/8 | 21 | 24 | 52 | 10 BL-S | 10 BL-SS |
| 18, 20 | 3/4 | 1 3/16-12 | 1 3/8 | 24 | 26 | 89 | 12 BL-S | 12 BL-SS |
| 22, 25 | 1 | 1 7/16-12 | 1 5/8 | 29 | 28 | 119 | 16 BL-S | 16 BL-SS |
| 28, 30, 32 | 1 1/4 | 1 11/16-12 | 1 7/8 | 36 | 28 | 132 | 20 BL-S | 20 BL-SS |
| 35, 38 | 1 1/2 | 2-12 | 2 1/4 | 44 | 28 | 220 | 24 BL-S | 24 BL-SS |
| 50 | 2 | 2 1/2-12 | 2 7/8 | 56 | 33 | 700 | 32 BL-S | 32 BL-SS |

Part numbers shown are part of our current manufacturing programme.

TPL Sleeve metric tubing

O-Lok® ORFS Parflange® tube sleeve

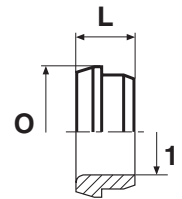


| Tube O.D. 1 mm | L mm | O mm | Weight (steel) g/1 piece | O-Lok® Steel | O-Lok® Stainless Steel |
|----------------------|---------|---------|--------------------------------|------------------|---------------------------|
| 6 | 8 | 13 | 4 | TPLS6 | TPLSS6 |
| 8 | 9 | 16 | 4 | TPLS8 | TPLSS8 |
| 10 | 9 | 16 | 5 | TPLS10 | TPLSS10 |
| 10 | 11 | 19 | 6 | TPLS12-10 | TPLSS12-10 |
| 12 | 11 | 19 | 6 | TPLS12 | TPLSS12 |
| 14 | 11 | 23 | 10 | TPLS14 | TPLSS14 |
| 15 | 11 | 23 | 9 | TPLS15 | TPLSS15 |
| 16 | 11 | 23 | 8 | TPLS16 | TPLSS16 |
| 18 | 12 | 28 | 14 | TPLS18 | TPLSS18 |
| 20 | 12 | 28 | 15 | TPLS20 | TPLSS20 |
| 22 | 14 | 34 | 20 | TPLS22 | TPLSS22 |
| 25 | 14 | 34 | 23 | TPLS25 | TPLSS25 |
| 28 | 13 | 41 | 24 | TPLS28 | TPLSS28 |
| 30 | 13 | 41 | 25 | TPLS30 | TPLSS30 |
| 32 | 13 | 41 | 26 | TPLS32 | TPLSS32 |
| 35 | 13 | 48 | 36 | TPLS35 | TPLSS35 |
| 38 | 13 | 48 | 44 | TPLS38 | TPLSS38 |
| 50 | 14 | 61 | 180 | TPLS50 | TPLSS50 |

Part numbers shown are part of our current manufacturing programme.

TPL Sleeve inch tubing

O-Lok® ORFS Parflange® tube sleeve



| Tube O.D. 1 in. | L mm | O mm | Weight (steel) g/1 piece | O-Lok® Steel | O-Lok® Stainless Steel |
|-----------------------|---------|---------|--------------------------------|-----------------|---------------------------|
| 1/4 | 8 | 13 | 4 | 4 TPL-S | 4 TPL-SS |
| 3/8 | 9 | 16 | 5 | 6 TPL-S | 6 TPL-SS |
| 1/2 | 11 | 19 | 6 | 8 TPL-S | 8 TPL-SS |
| 5/8 | 11 | 23 | 11 | 10 TPL-S | 10 TPL-SS |
| 3/4 | 12 | 28 | 19 | 12 TPL-S | 12 TPL-SS |
| 7/8 | 14 | 34 | 19 | 14 TPL-S | 14 TPL-SS |
| 1 | 14 | 34 | 22 | 16 TPL-S | 16 TPL-SS |
| 1 1/4 | 13 | 41 | 28 | 20 TPL-S | 20 TPL-SS |
| 1 1/2 | 13 | 48 | 44 | 24 TPL-S | 24 TPL-SS |
| 2 | 14 | 61 | 180 | 32 TPL-S | 32 TPL-SS |

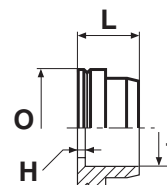
Part numbers shown are part of our current manufacturing programme.

TL* Braze sleeve metric tubing

O-Lok® ORFS silver braze tube sleeve

SAE 52M0115 ISO 8434-3 BRSL

(*Parts delivered oil dipped finish only – steel)



| ORFS dash size | Tube O.D. 1 mm | H mm | L mm | O mm | Weight (steel) g/1 piece | O-Lok® Steel | O-Lok® Stainless Steel |
|----------------|-------------------|------|------|------|-----------------------------|-----------------|------------------------|
| 4 | 6 | 1 | 10 | 13 | 5 | TLS6 | TLSS6 |
| 4 | 8 | 1 | 10 | 13 | 5 | TLS6-8 | TLSS6-8 |
| 6 | 8 | 2 | 10 | 16 | 7 | TLS10-8 | TLSS10-8 |
| 6 | 10 | 1 | 10 | 16 | 7 | TLS10 | TLSS10 |
| 8 | 12 | 1 | 10 | 19 | 10 | TLS12 | TLSS12 |
| 10 | 15 | 2 | 11 | 23 | 16 | TLS16-15 | TLSS16-15 |
| 10 | 16 | 2 | 11 | 23 | 16 | TLS16 | TLSS16 |
| 12 | 18 | 2 | 14 | 28 | 26 | TLS20-18 | TLSS20-18 |
| 12 | 20 | 2 | 14 | 28 | 21 | TLS20 | TLSS20 |
| 16 | 22 | 2 | 16 | 34 | 33 | TLS25-22 | TLSS25-22 |
| 16 | 25 | 2 | 16 | 34 | 30 | TLS25 | TLSS25 |
| 20 | 28 | 2 | 16 | 41 | 41 | TLS32-28 | TLSS32-28 |
| 20 | 30 | 2 | 16 | 41 | 42 | TLS32-30 | TLSS32-30 |
| 20 | 32 | 2 | 16 | 41 | 40 | TLS32 | TLSS32 |
| 24 | 35 | 2 | 16 | 49 | 48 | TLS38-35 | TLSS38-35 |
| 24 | 38 | 2 | 16 | 49 | 63 | TLS38 | TLSS38 |
| 32 | 50 | 2 | 16 | 60 | 210 | TLS50 | TLSS50 |

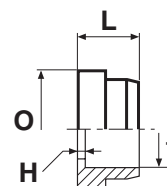
Part numbers shown are part of our current manufacturing programme.

TL* Braze sleeve inch tubing

O-Lok® ORFS silver braze tube sleeve

SAE 520115

(*Parts delivered oil dipped finish only – steel)



| Tube O.D. 1 in. | H mm | L mm | O mm | Weight (steel) g/1 piece | O-Lok® Steel | O-Lok® Stainless Steel |
|--------------------|------|------|------|-----------------------------|----------------|------------------------|
| 1/4 | 1 | 10 | 13 | 5 | 4 TL-S | 4 TL-SS |
| 3/8 | 1 | 10 | 16 | 6 | 6 TL-S | 6 TL-SS |
| 1/2 | 1 | 10 | 19 | 10 | 8 TL-S | 8 TL-SS |
| 5/8 | 2 | 11 | 23 | 18 | 10 TL-S | 10 TL-SS |
| 3/4 | 2 | 14 | 28 | 26 | 12 TL-S | 12 TL-SS |
| 1 | 2 | 16 | 34 | 33 | 16 TL-S | 16 TL-SS |
| 1 1/4 | 2 | 16 | 41 | 42 | 20 TL-S | 20 TL-SS |
| 1 1/2 | 2 | 16 | 49 | 63 | 24 TL-S | 24 TL-SS |
| 2 | 2 | 17 | 61 | 210 | 32 TL-S | 32 TL-SS |

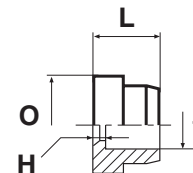
Part numbers shown are part of our current manufacturing programme.

TL* Reducing braze sleeve inch tubing

O-Lok® ORFS silver braze tube sleeve

SAE 520115

(*Parts delivered oil dipped finish only – steel)

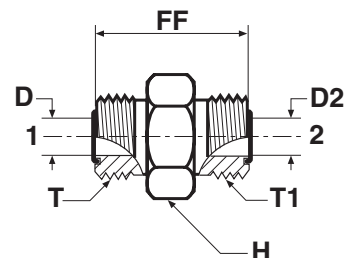


| ORFS dash size | Tube O.D. 1 in. | H mm | L mm | O mm | Weight (Steel) g/1 piece | O-Lok® Steel | O-Lok® Stainless Steel |
|----------------|-----------------|------|------|------|--------------------------|-------------------|------------------------|
| 6 | 1/4 | 2 | 10 | 16 | 10 | 6-4 TL-S | 6-4 TL-SS |
| 8 | 1/4 | 4 | 12 | 19 | 17 | 8-4 TL-S | 8-4 TL-SS |
| 8 | 3/8 | 4 | 12 | 19 | 17 | 8-6 TL-S | 8-6 TL-SS |
| 10 | 1/4 | 5 | 14 | 23 | 37 | 10-4 TL-S | 10-4 TL-SS |
| 10 | 3/8 | 5 | 14 | 23 | 32 | 10-6 TL-S | 10-6 TL-SS |
| 10 | 1/2 | 5 | 14 | 23 | 28 | 10-8 TL-S | 10-8 TL-SS |
| 12 | 1/4 | 6 | 15 | 28 | 54 | 12-4 TL-S | 12-4 TL-SS |
| 12 | 3/8 | 6 | 15 | 28 | 49 | 12-6 TL-S | 12-6 TL-SS |
| 12 | 1/2 | 6 | 15 | 28 | 44 | 12-8 TL-S | 12-8 TL-SS |
| 12 | 5/8 | 6 | 15 | 28 | 39 | 12-10 TL-S | 12-10 TL-SS |
| 12 | 7/8 | 2 | 17 | 28 | 25 | 12-14 TL-S | 12-14 TL-SS |
| 16 | 1/2 | 7 | 16 | 34 | 76 | 16-8 TL-S | 16-8 TL-SS |
| 16 | 5/8 | 7 | 16 | 34 | 71 | 16-10 TL-S | 16-10 TL-SS |
| 16 | 3/4 | 5 | 17 | 34 | 66 | 16-12 TL-S | 16-12 TL-SS |
| 16 | 7/8 | 3 | 17 | 34 | 50 | 16-14 TL-S | 16-14 TL-SS |
| 20 | 3/4 | 7 | 20 | 41 | 102 | 20-12 TL-S | 20-12 TL-SS |
| 20 | 1 | 7 | 21 | 41 | 79 | 20-16 TL-S | 20-16 TL-SS |
| 24 | 1 | 7 | 21 | 49 | 141 | 24-16 TL-S | 24-16 TL-SS |
| 24 | 1 1/4 | 7 | 21 | 49 | 107 | 24-20 TL-S | 24-20 TL-SS |

Part numbers shown are part of our current manufacturing programme.

HMLO Union

O-Lok® ORFS tube ends
SAE 520101



| Tube 1 O.D. | | Tube 2 O.D. | | Thread UN/UNF-2A T | Thread UN/UNF-2A T1 | D | D2 | FF | H | Weight (steel) g/1 piece | O-Lok® Steel | O-Lok® Stainless Steel | PN (bar) |
|----------------|-----------|----------------|-----------|--------------------------|---------------------------|----|----|----|----|--------------------------------|-------------------|---------------------------|-------------|
| mm | in. | mm | in. | | | mm | mm | mm | mm | | | | |
| 6 | 1/4 | 6 | 1/4 | 9/16-18 | 9/16-18 | 5 | 5 | 27 | 16 | 26 | 4 HLO-S | 4HMLOSS | 630 |
| 8, 10 | 5/16, 3/8 | 8, 10 | 5/16, 3/8 | 11/16-16 | 11/16-16 | 7 | 7 | 31 | 19 | 49 | 6HMLOS | 6HMLOSS | 630 |
| 10 | 3/8 | 6 | 1/4 | 11/16-16 | 9/16-18 | 7 | 5 | 30 | 19 | 45 | 6-4HMLOS | 6-4HMLOSS | 630 |
| 12 | 1/2 | 12 | 1/2 | 13/16-16 | 13/16-16 | 10 | 10 | 35 | 22 | 77 | 8HMLOS | 8HMLOSS | 630 |
| 12 | 1/2 | 10 | 3/8 | 13/16-16 | 11/16-16 | 10 | 7 | 34 | 22 | 67 | 8-6 HLO-S | 8-6HMLOSS | 630 |
| 14, 15, 16 | 5/8 | 14, 15, 16 | 5/8 | 1-14 | 1-14 | 13 | 13 | 43 | 27 | 129 | 10HMLOS | 10HMLOSS | 420 |
| 16 | 5/8 | 12 | 1/2 | 1-14 | 13/16-16 | 13 | 10 | 40 | 27 | 112 | 10-8 HLO-S | 10-8HMLOSS | 420 |
| 18, 20 | 3/4 | 18, 20 | 3/4 | 1 3/16-12 | 1 3/16-12 | 16 | 16 | 47 | 32 | 204 | 12HMLOS | 12HMLOSS | 420 |
| 20 | 3/4 | 16 | 5/8 | 1 3/16-12 | 1-14 | 16 | 13 | 46 | 32 | 186 | 12-10HMLOS | 12-10HMLOSS | 420 |
| 22, 25 | 1 | 22, 25 | 1 | 1 7/16-12 | 1 7/16-12 | 21 | 21 | 49 | 38 | 291 | 16HMLOS | 16HMLOSS | 420 |
| 25 | 1 | 18, 20 | 3/4 | 1 7/16-12 | 1 3/16-12 | 21 | 16 | 49 | 41 | 285 | 16-12HMLOS | 16-12HMLOSS | 420 |
| 28, 30, 32 | 1 1/4 | 28, 30, 32 | 1 1/4 | 1 11/16-12 | 1 11/16-12 | 26 | 26 | 51 | 46 | 299 | 20 HLO-S | 20HMLOSS | 420 |
| 28, 30, 32 | 1 1/4 | 22, 25 | 1 | 1 11/16-12 | 1 7/16-12 | 26 | 21 | 51 | 46 | 280 | 20-16HMLOS | 20-16HMLOSS | 420 |
| 35, 38 | 1 1/2 | 35, 38 | 1 1/2 | 2-12 | 2-12 | 32 | 32 | 53 | 55 | 552 | 24 HLO-S | 24HMLOSS | 350 |
| 35, 38 | 1 1/2 | 28, 30, 32 | 1 1/4 | 2-12 | 1 11/16-12 | 32 | 26 | 53 | 55 | 530 | 24-20HMLOS | 24-20HMLOSS | 350 |
| 50 | 2 | 50 | 2 | 2 1/2-12 | 2 1/2-12 | 45 | 45 | 73 | 70 | 990 | 32 HLO-S | 32HMLOSS | 200 |

O-Lok® is delivered with NBR elastomeric seals as standard. For more details on other seal materials see page J73-J74.

Part numbers shown are part of our current manufacturing programme.

Imperial and metric parts may vary in hexagon dimensions.

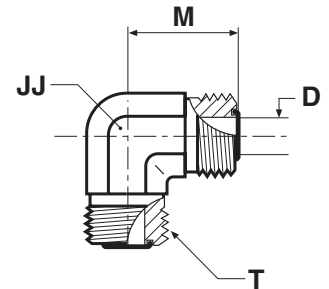
$$\frac{\text{PN (bar)}}{10} = \text{PN (MPa)}$$

Pressure ratings – PN shown, apply to Steel and Stainless Steel versions of the product.



EMLO Union elbow

O-Lok® ORFS tube ends
SAE 520201



| Tube O.D. | | Thread UN/UNF-2A T | D mm | JJ mm | M mm | Weight (steel) g/1 piece | O-Lok® Steel | O-Lok® Stainless Steel | PN (bar) |
|------------|-----------|--------------------------|---------|----------|---------|--------------------------------|-----------------|---------------------------|-------------|
| mm | in. | | | | | | | | |
| 6 | 1/4 | 9/16-18 | 5 | 14 | 22 | 47 | 4 ELO-S | 4EMLOSS | 630 |
| 8, 10 | 5/16, 3/8 | 11/16-16 | 7 | 19 | 25 | 109 | 6 ELO-S | 6EMLOSS | 630 |
| 12 | 1/2 | 13/16-16 | 10 | 19 | 28 | 123 | 8 ELO-S | 8EMLOSS | 630 |
| 14, 15, 16 | 5/8 | 1-14 | 13 | 27 | 33 | 183 | 10 ELO-S | 10EMLOSS | 420 |
| 18, 20 | 3/4 | 1 3/16-12 | 16 | 30 | 37 | 255 | 12 ELO-S | 12EMLOSS | 420 |
| 22, 25 | 1 | 1 7/16-12 | 21 | 37 | 42 | 457 | 16 ELO-S | 16EMLOSS | 420 |
| 28, 30, 32 | 1 1/4 | 1 11/16-12 | 26 | 41 | 45 | 530 | 20 ELO-S | 20EMLOSS | 350 |
| 35, 38 | 1 1/2 | 2-12 | 32 | 48 | 49 | 687 | 24 ELO-S | 24EMLOSS | 280 |
| 50 | 2 | 2 1/2-12 | 45 | 64 | 70 | 1500 | 32 ELO-S | | 200 |

O-Lok® is delivered with NBR elastomeric seals as standard. For more details on other seal materials see page J73–J74.

Part numbers shown are part of our current manufacturing programme.

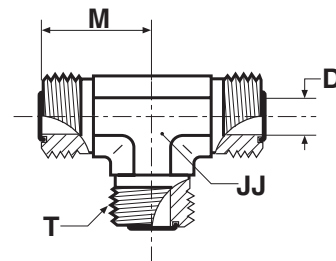
Imperial and metric parts may vary in hexagon dimensions.

$$\frac{\text{PN (bar)}}{10} = \text{PN (MPa)}$$

Pressure ratings – PN shown, apply to Steel and Stainless Steel versions of the product.

JMLO Union tee

O-Lok® ORFS tube ends
SAE 520401



| Tube O.D. | | Thread UN/UNF-2A T | D mm | JJ mm | M mm | Weight (steel) g/1 piece | O-Lok® Steel | O-Lok® Stainless Steel | PN (bar) |
|------------|-----------|--------------------------|---------|----------|---------|--------------------------------|-----------------|---------------------------|-------------|
| mm | in. | | | | | | | | |
| 6 | 1/4 | 9/16-18 | 5 | 14 | 22 | 66 | 4JMLOS | 4JMLOSS | 630 |
| 8, 10 | 5/16, 3/8 | 11/16-16 | 7 | 19 | 25 | 114 | 6JMLOS | 6JMLOSS | 630 |
| 12 | 1/2 | 13/16-16 | 10 | 19 | 28 | 199 | 8JMLOS | 8JMLOSS | 630 |
| 14, 15, 16 | 5/8 | 1-14 | 13 | 27 | 33 | 239 | 10JMLOS | 10JMLOSS | 420 |
| 18, 20 | 3/4 | 1 3/16-12 | 16 | 30 | 37 | 321 | 12JMLOS | 12JMLOSS | 420 |
| 22, 25 | 1 | 1 7/16-12 | 21 | 36 | 42 | 488 | 16JMLOS | 16JMLOSS | 420 |
| 28, 30, 32 | 1 1/4 | 1 11/16-12 | 26 | 41 | 45 | 768 | 20 JLO-S | 20JMLOSS | 350 |
| 35, 38 | 1 1/2 | 2-12 | 32 | 48 | 49 | 866 | 24 JLO-S | 24JMLOSS | 280 |
| 50 | 2 | 2 1/2-12 | 45 | 64 | 70 | 2250 | 32 JLO-S | 32JMLOSS | 200 |

O-Lok® is delivered with NBR elastomeric seals as standard. For more details on other seal materials see page J73–J74.

Part numbers shown are part of our current manufacturing programme.

Imperial and metric parts may vary in hexagon dimensions.

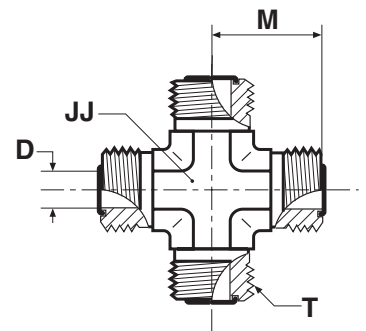
$$\frac{\text{PN (bar)}}{10} = \text{PN (MPa)}$$

Pressure ratings – PN shown, apply to Steel and Stainless Steel versions of the product.

J

KLO Union cross

O-Lok® ORFS tube ends
SAE 520501



| Tube O.D. | | Thread UN/UNF-2A T | D mm | JJ mm | M mm | Weight (steel) g/1 piece | O-Lok® Steel | O-Lok® Stainless Steel | PN (bar) |
|------------|-----------|--------------------------|---------|----------|---------|--------------------------------|-----------------|---------------------------|-------------|
| mm | in. | | | | | | | | |
| 6 | 1/4 | 9/16-18 | 5 | 14 | 22 | 72 | 4 KLO-S | 4 KLO-SS | 630 |
| 8, 10 | 5/16, 3/8 | 11/16-16 | 7 | 19 | 25 | 140 | 6 KLO-S | 6 KLO-SS | 630 |
| 12 | 1/2 | 13/16-16 | 10 | 19 | 28 | 225 | 8 KLO-S | 8 KLO-SS | 630 |
| 14, 15, 16 | 5/8 | 1-14 | 13 | 27 | 33 | 288 | 10 KLO-S | 10 KLO-SS | 420 |
| 18, 20 | 3/4 | 1 3/16-12 | 16 | 30 | 37 | 415 | 12 KLO-S | 12 KLO-SS | 420 |
| 22, 25 | 1 | 1 7/16-12 | 21 | 37 | 42 | 967 | 16 KLO-S | 16 KLO-SS | 420 |
| 28, 30, 32 | 1 1/4 | 1 11/16-12 | 26 | 41 | 45 | 1247 | 20 KLO-S | 20 KLO-SS | 350 |
| 35, 38 | 1 1/2 | 2-12 | 32 | 48 | 49 | 1592 | 24 KLO-S | 24 KLO-SS | 280 |

O-Lok® is delivered with NBR elastomeric seals as standard. For more details on other seal materials see page J73–J74.

Part numbers shown are part of our current manufacturing programme.

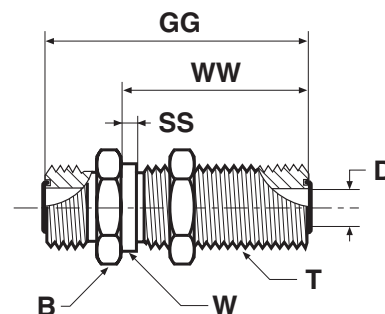
Imperial and metric parts may vary in hexagon dimensions.

$$\frac{\text{PN (bar)}}{10} = \text{PN (MPa)}$$

Pressure ratings – PN shown, apply to Steel and Stainless Steel versions of the product.

WMLO Bulkhead union

O-Lok® ORFS tube ends
SAE 520601 ISO 8434-3 BHS



| Tube O.D. | | Thread UN/UNF-2A T | B mm | D mm | GG mm | SS mm | W mm | WW mm | Weight (steel) g/1 piece | O-Lok® Steel | O-Lok® Stainless Steel | PN (bar) |
|------------|-----------|--------------------|------|------|-------|-------|------|-------|--------------------------|----------------------|------------------------|----------|
| mm | in. | | | | | | | | | | | |
| 6 | 1/4 | 9/16-18 | 22 | 5 | 49 | 2 | 14 | 32 | 65 | 4 WLO-WLNL-S | 4WMLOWLNMLSS | 630 |
| 8, 10 | 5/16, 3/8 | 11/16-16 | 27 | 7 | 53 | 2 | 17 | 34 | 104 | 6WMLOWLNMLS | 6WMLOWLNMLSS | 630 |
| 12 | 1/2 | 13/16-16 | 30 | 10 | 58 | 3 | 20 | 37 | 141 | 8WMLOWLNMLS | 8WMLOWLNMLSS | 630 |
| 14, 15, 16 | 5/8 | 1-14 | 32 | 13 | 67 | 3 | 25 | 41 | 285 | 10WMLOWLNMLS | 10WMLOWLNMLSS | 420 |
| 18, 20 | 3/4 | 1 3/16-12 | 38 | 16 | 69 | 3 | 30 | 42 | 322 | 12WMLOWLNMLS | 12WMLOWLNMLSS | 420 |
| 22, 25 | 1 | 1 7/16-12 | 46 | 21 | 70 | 3 | 36 | 42 | 436 | 16WMLOWLNMLS | 16WMLOWLNMLSS | 420 |
| 28, 30, 32 | 1 1/4 | 1 11/16-12 | 51 | 26 | 70 | 2 | 43 | 42 | 510 | 20 WLO-WLNL-S | 20WMLOWLNMLSS | 420 |
| 35, 38 | 1 1/2 | 2-12 | 60 | 32 | 70 | 2 | 51 | 42 | 674 | 24 WLO-WLNL-S | 24WMLOWLNMLSS | 350 |

O-Lok® is delivered with NBR elastomeric seals as standard. For more details on other seal materials see page J73–J74.

Part numbers shown are part of our current manufacturing programme.

Imperial and metric parts may vary in hexagon dimensions.

For the version without the locknut remove "WLNML" (e.g. 16WMLO)

$$\frac{\text{PN (bar)}}{10} = \text{PN (MPa)}$$

Pressure ratings – PN shown, apply to Steel and Stainless Steel versions of the product.

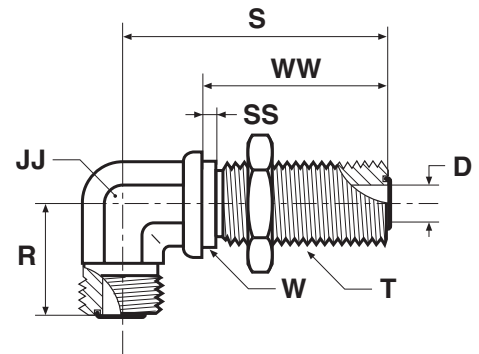
Maximum bulkhead wallthickness

| Size | Tube O.D. | | Straight bulkhead union Max. thickness mm | Shape bulkhead union Max. thickness mm |
|------|-----------|--------|---|--|
| | inch | metric | | |
| 4 | 1/4 | 6 | 13.5 | 13.5 |
| 6 | 3/8 | 10 | 13.5 | 13.5 |
| 8 | 1/2 | 12 | 13.5 | 13.5 |
| 10 | 5/8 | 14–16 | 13.2 | 13.2 |
| 12 | 3/4 | 18–20 | 12.7 | 12.7 |
| 16 | 1 | 22–25 | 13.0 | 13.0 |
| 20 | 1 1/4 | 28–32 | 13.0 | 13.0 |
| 24 | 1 1/2 | 35–38 | 13.0 | 13.0 |



WEMLO Bulkhead union elbow

O-Lok® ORFS tube end/O-Lok® ORFS tube end
SAE520701/SAE 520701 ISO 8434-3 BHE



| Tube O.D. | | Thread UN/UNF-2A T | D mm | JJ mm | R mm | S mm | SS mm | W mm | WW mm | Weight (steel) g/1 piece | O-Lok® Steel | O-Lok® Stainless Steel | PN (bar) |
|------------|-----------|--------------------|------|-------|------|------|-------|------|-------|--------------------------|-----------------------|------------------------|----------|
| mm | in. | | | | | | | | | | | | |
| 6 | 1/4 | 9/16-18 | 5 | 14 | 23 | 46 | 2 | 14 | 32 | 78 | 4 WELO-WLNL-S | 4 WELO-WLNL-SS | 630 |
| 8, 10 | 5/16, 3/8 | 11/16-16 | 7 | 19 | 26 | 52 | 2 | 17 | 34 | 146 | 6WEMLOWLNMLS | 6 WELO-WLNL-SS | 630 |
| 12 | 1/2 | 13/16-16 | 10 | 19 | 29 | 56 | 3 | 20 | 37 | 252 | 8WEMLOWLNMLS | 8 WELO-WLNL-SS | 630 |
| 14, 15, 16 | 5/8 | 1-14 | 13 | 27 | 35 | 63 | 3 | 25 | 41 | 287 | 10WEMLOWLNMLS | 10 WELO-WLNL-SS | 420 |
| 18, 20 | 3/4 | 1 3/16-12 | 16 | 30 | 39 | 67 | 3 | 30 | 42 | 445 | 12WEMLOWLNMLS | 12 WELO-WLNL-SS | 420 |
| 22, 25 | 1 | 1 7/16-12 | 21 | 37 | 42 | 71 | 2 | 37 | 42 | 639 | 16 WELO-WLNL-S | 16 WELO-WLNL-SS | 420 |
| 28, 30, 32 | 1 1/4 | 1 11/16-12 | 26 | 41 | 45 | 75 | 2 | 43 | 42 | 718 | 20 WELO-WLNL-S | 20 WELO-WLNL-SS | 350 |
| 35, 38 | 1 1/2 | 2-12 | 32 | 48 | 50 | 80 | 2 | 51 | 42 | 945 | 24 WELO-WLNL-S | 24 WELO-WLNL-SS | 280 |

O-Lok® is delivered with NBR elastomeric seals as standard. For more details on other seal materials see page J73-J74.

Part numbers shown are part of our current manufacturing programme.

Imperial and metric parts may vary in hexagon dimensions.

For the version without the locknut remove "WLNML" (e.g. 16WEMLO)

$$\frac{\text{PN (bar)}}{10} = \text{PN (MPa)}$$

Pressure ratings – PN shown, apply to Steel and Stainless Steel versions of the product.

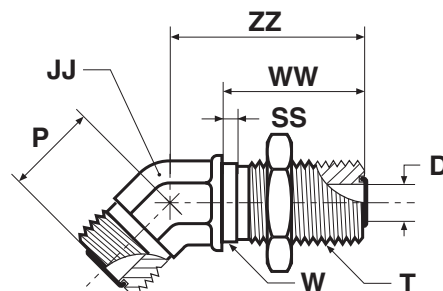
Maximum bulkhead wallthickness

| Size | Tube O.D. | | Straight bulkhead union Max. thickness mm | Shape bulkhead union Max. thickness mm |
|------|-----------|--------|---|--|
| | inch | metric | | |
| 4 | 1/4 | 6 | 13.5 | 13.5 |
| 6 | 3/8 | 10 | 13.5 | 13.5 |
| 8 | 1/2 | 12 | 13.5 | 13.5 |
| 10 | 5/8 | 14-16 | 13.2 | 13.2 |
| 12 | 3/4 | 18-20 | 12.7 | 12.7 |
| 16 | 1 | 22-25 | 13.0 | 13.0 |
| 20 | 1 1/4 | 28-32 | 13.0 | 13.0 |
| 24 | 1 1/2 | 35-38 | 13.0 | 13.0 |

WNLO Bulkhead union 45° elbow

O-Lok® ORFS tube ends

SAE 520801 ISO 8434-3 BHE 45



| Tube O.D. | | Thread UN/UNF-2A T | D mm | JJ mm | P mm | SS mm | W mm | WW mm | ZZ mm | Weight (steel) g/1 piece | O-Lok® Steel | PN (bar) |
|------------|-----------|--------------------|------|-------|------|-------|------|-------|-------|--------------------------|-----------------------|----------|
| mm | in. | | | | | | | | | | | |
| 6 | 1/4 | 9/16-18 | 5 | 14 | 16 | 2 | 14 | 32 | 44 | 65 | 4 WNLO-WLNL-S | 630 |
| 8, 10 | 5/16, 3/8 | 11/16-16 | 7 | 19 | 19 | 2 | 18 | 34 | 49 | 123 | 6 WNLO-WLNL-S | 630 |
| 12 | 1/2 | 13/16-16 | 10 | 19 | 20 | 2 | 21 | 37 | 51 | 163 | 8 WNLO-WLNL-S | 630 |
| 14, 15, 16 | 5/8 | 1-14 | 13 | 27 | 23 | 2 | 25 | 41 | 57 | 252 | 10 WNLO-WLNL-S | 420 |
| 18, 20 | 3/4 | 1 3/16-12 | 16 | 30 | 26 | 2 | 30 | 42 | 61 | 386 | 12 WNLO-WLNL-S | 420 |
| 22, 25 | 1 | 1 7/16-12 | 21 | 37 | 30 | 2 | 37 | 42 | 65 | 465 | 16 WNLO-WLNL-S | 420 |
| 28, 30, 32 | 1 1/4 | 1 11/16-12 | 26 | 41 | 32 | 2 | 43 | 42 | 67 | 578 | 20 WNLO-WLNL-S | 350 |
| 35, 38 | 1 1/2 | 2-12 | 32 | 48 | 37 | 2 | 51 | 42 | 67 | 770 | 24 WNLO-WLNL-S | 280 |

O-Lok® is delivered with NBR elastomeric seals as standard. For more details on other seal materials see page J73–J74.

Part numbers shown are part of our current manufacturing programme.

Imperial and metric parts may vary in hexagon dimensions.

For the version without the locknut remove "WLNL" (e.g. 16 WNLO)

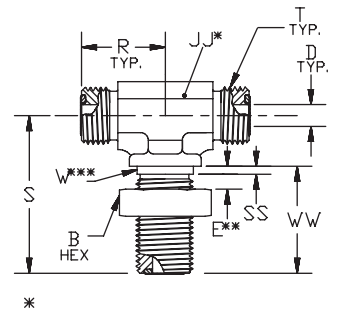
$$\frac{\text{PN (bar)}}{10} = \text{PN (MPa)}$$

Maximum bulkhead wallthickness

| Size | Tube O.D. | | Straight bulkhead union Max. thickness mm | Shape bulkhead union Max. thickness mm |
|------|-----------|--------|---|--|
| | inch | metric | | |
| 4 | 1/4 | 6 | 13.5 | 13.5 |
| 6 | 3/8 | 10 | 13.5 | 13.5 |
| 8 | 1/2 | 12 | 13.5 | 13.5 |
| 10 | 5/8 | 14–16 | 13.2 | 13.2 |
| 12 | 3/4 | 18–20 | 12.7 | 12.7 |
| 16 | 1 | 22–25 | 13.0 | 13.0 |
| 20 | 1 1/4 | 28–32 | 13.0 | 13.0 |
| 24 | 1 1/2 | 35–38 | 13.0 | 13.0 |

WJLO Bulkhead branch tee

O-Lok® ORFS tube ends



| Tube O.D. | | Thread UN/UNF-2A mm | B mm | D mm | E mm | JJ mm | R mm | S mm | SS mm | W mm | WW mm | Weight (steel) g/1 piece | O-Lok® Steel | PN (bar) |
|------------|-----------|---------------------|------|------|------|-------|------|------|-------|------|-------|--------------------------|-----------------------|----------|
| mm | in. | | | | | | | | | | | | | |
| 6 | 1/4 | 9/16-18 | 18 | 5 | 14 | 14 | 23 | 47 | 2 | 14 | 32 | 100 | 4 WJLO-WLNL-S | 630 |
| 8, 10 | 5/16, 3/8 | 11/16-16 | 21 | 7 | 14 | 19 | 26 | 52 | 2 | 18 | 34 | 178 | 6 WJLO-WLNL-S | 630 |
| 12 | 1/2 | 13/16-16 | 24 | 10 | 14 | 19 | 29 | 55 | 2 | 21 | 37 | 270 | 8 WJLO-WLNL-S | 630 |
| 14, 15, 16 | 5/8 | 1-14 | 29 | 13 | 14 | 27 | 35 | 63 | 2 | 25 | 41 | 370 | 10 WJLO-WLNL-S | 420 |
| 18, 20 | 3/4 | 1 3/16-12 | 35 | 16 | 14 | 30 | 39 | 67 | 2 | 30 | 42 | 520 | 12 WJLO-WLNL-S | 420 |
| 22, 25 | 1 | 1 7/16-12 | 42 | 21 | 14 | 36 | 42 | 71 | 2 | 37 | 42 | 680 | 16 WJLO-WLNL-S | 420 |

O-Lok® is delivered with NBR elastomeric seals as standard. For more details on other seal materials see page J73-J74.

Part numbers shown are part of our current manufacturing programme.

Imperial and metric parts may vary in hexagon dimensions.

For the version without the locknut remove "WLNL" (e.g. 16 WJLO)

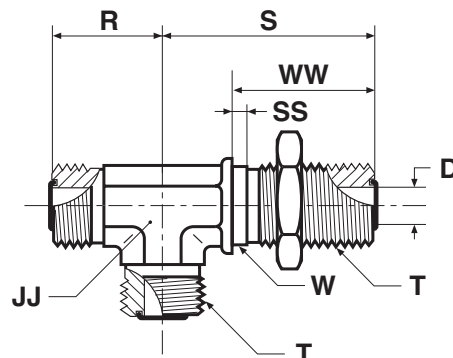
$$\frac{\text{PN (bar)}}{10} = \text{PN (MPa)}$$

Maximum bulkhead wallthickness

| Size | Tube O.D. | | Straight bulkhead union Max. thickness mm | Shape bulkhead union Max. thickness mm |
|------|-----------|--------|---|--|
| | inch | metric | | |
| 4 | 1/4 | 6 | 13.5 | 13.5 |
| 6 | 3/8 | 10 | 13.5 | 13.5 |
| 8 | 1/2 | 12 | 13.5 | 13.5 |
| 10 | 5/8 | 14-16 | 13.2 | 13.2 |
| 12 | 3/4 | 18-20 | 12.7 | 12.7 |
| 16 | 1 | 22-25 | 13.0 | 13.0 |
| 20 | 1 1/4 | 28-32 | 13.0 | 13.0 |
| 24 | 1 1/2 | 35-38 | 13.0 | 13.0 |

WJJLO Bulkhead run tee

O-Lok® ORFS tube ends
SAE 520958 ISO 8434-3 BHRT



| Tube O.D. | | Thread UN/UNF-2A T | D mm | JJ mm | R mm | S mm | SS mm | W mm | WW mm | Weight (steel) g/1 piece | O-Lok® Steel | PN (bar) |
|------------|-----------|--------------------------|---------|----------|---------|---------|----------|---------|----------|--------------------------------|-----------------|-------------|
| mm | in. | | | | | | | | | | | |
| 6 | 1/4 | 9/16-18 | 5 | 14 | 23 | 46 | 2 | 14 | 32 | 99 | 4 WJJLO-WLNL-S | 630 |
| 8, 10 | 5/16, 3/8 | 11/16-16 | 7 | 19 | 26 | 52 | 2 | 18 | 34 | 178 | 6 WJJLO-WLNL-S | 630 |
| 12 | 1/2 | 13/16-16 | 10 | 19 | 29 | 55 | 2 | 21 | 36 | 270 | 8 WJJLO-WLNL-S | 630 |
| 14, 15, 16 | 5/8 | 1-14 | 13 | 27 | 35 | 63 | 2 | 25 | 41 | 368 | 10 WJJLO-WLNL-S | 420 |
| 18, 20 | 3/4 | 1 3/16-12 | 16 | 30 | 39 | 67 | 2 | 30 | 42 | 516 | 12 WJJLO-WLNL-S | 420 |
| 22, 25 | 1 | 1 7/16-12 | 21 | 37 | 42 | 71 | 2 | 37 | 42 | 678 | 16 WJJLO-WLNL-S | 420 |
| 28, 30, 32 | 1 1/4 | 1 11/16-12 | 26 | 41 | 45 | 75 | 2 | 43 | 42 | 980 | 20 WJJLO-WLNL-S | 350 |
| 35, 38 | 1 1/2 | 2-12 | 32 | 48 | 50 | 80 | 2 | 51 | 42 | 1900 | 24 WJJLO-WLNL-S | 280 |

O-Lok® is delivered with NBR elastomeric seals as standard. For more details on other seal materials see page J73–J74.

Part numbers shown are part of our current manufacturing programme.

Imperial and metric parts may vary in hexagon dimensions.

For the version without the locknut remove "WLNL" (e.g. 16 WJJLO)

$$\frac{\text{PN (bar)}}{10} = \text{PN (MPa)}$$

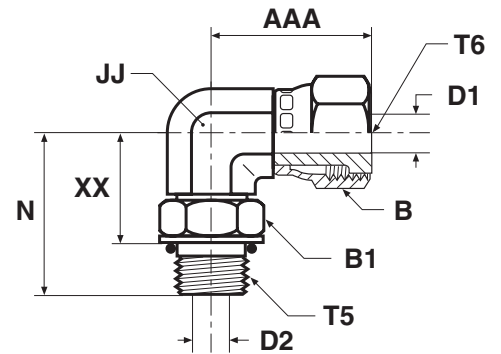


Maximum bulkhead wallthickness

| Size | Tube O.D. | | Straight bulkhead union Max. thickness mm | Shape bulkhead union Max. thickness mm |
|------|-----------|--------|---|--|
| | inch | metric | | |
| 4 | 1/4 | 6 | 13.5 | 13.5 |
| 6 | 3/8 | 10 | 13.5 | 13.5 |
| 8 | 1/2 | 12 | 13.5 | 13.5 |
| 10 | 5/8 | 14–16 | 13.2 | 13.2 |
| 12 | 3/4 | 18–20 | 12.7 | 12.7 |
| 16 | 1 | 22–25 | 13.0 | 13.0 |
| 20 | 1 1/4 | 28–32 | 13.0 | 13.0 |
| 24 | 1 1/2 | 35–38 | 13.0 | 13.0 |

AOEL6 Swivel nut stud elbow

O-Lok® ORFS Female swivel end/Male UN/UNF thread – O-ring (ISO 11926)
SAE 520281



| Tube O.D. mm | Tube O.D. in. | Thread UN/UNF-2A T5 | Thread UN/UNF-2B T6 | AAA mm | B mm | B1 mm | D1 mm | D2 mm | JJ mm | N mm | XX mm | Weight (steel) g/1 piece | O-Lok® Steel | O-Lok® Stainless Steel | PN (bar) |
|-----------------|------------------|------------------------|------------------------|-----------|---------|----------|----------|----------|----------|---------|----------|--------------------------------|-------------------|---------------------------|-------------|
| 6 | 1/4 | 7/16-20 | 9/16-18 | 27 | 18 | 16 | 4 | 4 | 14 | 33 | 22 | 47 | 4 AOEL6-S | 4 AOEL6-SS | 420 |
| 8, 10 | 5/16, 3/8 | 9/16-18 | 11/16-16 | 30 | 21 | 19 | 7 | 7 | 19 | 37 | 25 | 97 | 6 AOEL6-S | 6 AOEL6-SS | 420 |
| 12 | 1/2 | 3/4-16 | 13/16-16 | 38 | 24 | 24 | 9 | 10 | 19 | 41 | 27 | 104 | 8 AOEL6-S | 8 AOEL6-SS | 420 |
| 14, 15, 16 | 5/8 | 7/8-14 | 1-14 | 42 | 29 | 27 | 12 | 13 | 27 | 50 | 34 | 199 | 10 AOEL6-S | 10 AOEL6-SS | 420 |
| 18, 20 | 3/4 | 1 1/16-12 | 1 3/16-12 | 46 | 35 | 35 | 14 | 16 | 27 | 55 | 37 | 162 | 12 AOEL6-S | 12 AOEL6-SS | 420 |
| 22, 25 | 1 | 1 5/16-12 | 1 7/16-12 | 53 | 41 | 41 | 20 | 21 | 33 | 60 | 42 | 365 | 16 AOEL6-S | 16 AOEL6-SS | 380 |
| 28, 30, 32 | 1 1/4 | 1 5/8-12 | 1 11/16-12 | 58 | 48 | 48 | 26 | 26 | 41 | 62 | 44 | 480 | 20 AOEL6-S | 20 AOEL6-SS | 280 |
| 35, 38 | 1 1/2 | 1 7/8-12 | 2-12 | 61 | 57 | 54 | 32 | 32 | 48 | 66 | 47 | 933 | 24 AOEL6-S | 24 AOEL6-SS | 280 |

O-Lok® is delivered with NBR elastomeric seals as standard. For more details on other seal materials see page J73–J74.

Part numbers shown are part of our current manufacturing programme.

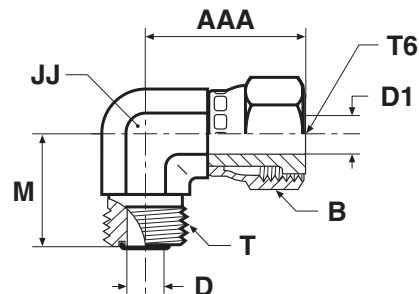
Imperial and metric parts may vary in hexagon dimensions.

$$\frac{\text{PN (bar)}}{10} = \text{PN (MPa)}$$

Pressure ratings – PN shown, apply to Steel and Stainless Steel versions of the product.

C6MLO Swivel nut elbow

O-Lok® ORFS Female swivel end/O-Lok® ORFS tube end
SAE 52M0221 ISO 8434-3 SWE



| Tube O.D. | | Thread UN/UNF-2A T | Thread UN/UNF-2B T6 | AAA | B | D | D1 | JJ | M | Weight (steel) | O-Lok® Steel | O-Lok® Stainless Steel | PN (bar) |
|------------|-----------|--------------------|---------------------|-----|----|----|----|----|----|----------------|------------------|------------------------|----------|
| mm | in. | | | mm | mm | mm | mm | mm | mm | g/1 piece | | | |
| 6 | 1/4 | 9/16-18 | 9/16-18 | 26 | 17 | 5 | 4 | 14 | 22 | 45 | 4C6MLOS | 4C6MLOSS | 500 |
| 8, 10 | 5/16, 3/8 | 11/16-16 | 11/16-16 | 29 | 22 | 7 | 9 | 19 | 25 | 84 | 6C6MLOS | 6C6MLOSS | 630 |
| 12 | 1/2 | 13/16-16 | 13/16-16 | 38 | 24 | 10 | 9 | 19 | 28 | 126 | 8C6MLOS | 8C6MLOSS | 630 |
| 14, 15, 16 | 5/8 | 1-14 | 1-14 | 41 | 30 | 13 | 12 | 27 | 33 | 221 | 10C6MLOS | 10C6MLOSS | 420 |
| 18, 20 | 3/4 | 1 3/16-12 | 1 3/16-12 | 46 | 36 | 16 | 14 | 30 | 37 | 284 | 12C6MLOS | 12C6MLOSS | 420 |
| 22, 25 | 1 | 1 7/16-12 | 1 7/16-12 | 53 | 41 | 21 | 20 | 36 | 42 | 541 | 16C6MLOS | 16C6MLOSS | 420 |
| 28, 30, 32 | 1 1/4 | 1 11/16-12 | 1 11/16-12 | 58 | 48 | 26 | 26 | 41 | 45 | 557 | 20 C6LO-S | 20C6MLOSS | 350 |
| 35, 38 | 1 1/2 | 2-12 | 2-12 | 61 | 57 | 32 | 32 | 48 | 49 | 706 | 24 C6LO-S | 24C6MLOSS | 280 |

O-Lok® is delivered with NBR elastomeric seals as standard. For more details on other seal materials see page J73–J74.

Part numbers shown are part of our current manufacturing programme.

Imperial and metric parts may vary in hexagon dimensions.

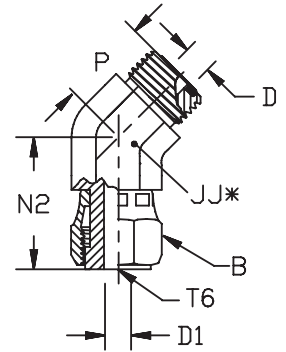
$$\frac{\text{PN (bar)}}{10} = \text{PN (MPa)}$$

Pressure ratings – PN shown, apply to Steel and Stainless Steel versions of the product.



V6LO 45° Swivel nut elbow

O-Lok® ORFS female swivel end/O-Lok® ORFS tube end



*JJ – Across wrench flats

| Tube O.D. | | Thread UN/UNF-2A T | Thread UN/UNF-2B T6 | B mm | D mm | D1 mm | JJ mm | N2 mm | P mm | Weight (steel) g/1 piece | O-Lok® Steel | PN (bar) |
|------------|-----------|--------------------|---------------------|------|------|-------|-------|-------|------|--------------------------|------------------|----------|
| mm | in. | | | | | | | | | | | |
| 6 | 1/4 | 9/16-18 | 9/16-18 | 18 | 5 | 4 | 14 | 25 | 16 | 44 | 4 V6LO-S | 500 |
| 8, 10 | 5/16, 3/8 | 11/16-16 | 11/16-16 | 21 | 7 | 7 | 19 | 28 | 19 | 82 | 6 V6LO-S | 630 |
| 12 | 1/2 | 13/16-16 | 13/16-16 | 24 | 10 | 9 | 19 | 38 | 20 | 110 | 8 V6LO-S | 630 |
| 14, 15, 16 | 5/8 | 1-14 | 1-14 | 29 | 13 | 12 | 27 | 39 | 23 | 190 | 10 V6LO-S | 420 |
| 18, 20 | 3/4 | 1 3/16-12 | 1 3/16-12 | 35 | 16 | 14 | 30 | 44 | 26 | 288 | 12 V6LO-S | 420 |
| 22, 25 | 1 | 1 7/16-12 | 1 7/16-12 | 42 | 21 | 20 | 36 | 48 | 30 | 300 | 16 V6LO-S | 420 |
| 28, 30, 32 | 1 1/4 | 1 11/16-12 | 1 11/16-12 | 48 | 26 | 26 | 41 | 50 | 32 | 444 | 20 V6LO-S | 350 |
| 35, 38 | 1 1/2 | 2-12 | 2-12 | 58 | 32 | 32 | 48 | 52 | 37 | 568 | 24 V6LO-S | 280 |

O-Lok® is delivered with NBR elastomeric seals as standard. For more details on other seal materials see page J73–J74.

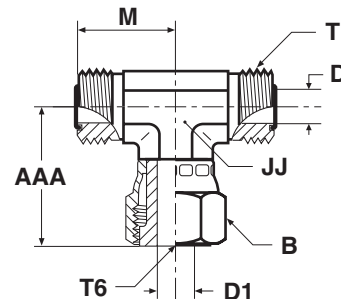
Part numbers shown are part of our current manufacturing programme.

Imperial and metric parts may vary in hexagon dimensions.

$$\frac{\text{PN (bar)}}{10} = \text{PN (MPa)}$$

S6MLO Swivel nut branch tee

O-Lok® ORFS female swivel end/O-Lok® ORFS tube ends
SAE 52M0433 ISO 8434-3 SWBT



| Tube O.D. | | Thread UN/UNF-2A T | Thread UN/UNF-2B T6 | AAA mm | B mm | D mm | D1 mm | JJ mm | M mm | Weight (steel) g/1 piece | O-Lok® Steel | O-Lok® Stainless Steel | PN (bar) |
|------------|-----------|--------------------|---------------------|--------|------|------|-------|-------|------|--------------------------|------------------|------------------------|----------|
| 6 | 1/4 | 9/16-18 | 9/16-18 | 26 | 17 | 5 | 4 | 14 | 22 | 66 | 4S6MLOS | 4S6MLOSS | 500 |
| 8, 10 | 5/16, 3/8 | 11/16-16 | 11/16-16 | 29 | 22 | 7 | 7 | 19 | 25 | 125 | 6S6MLOS | 6S6MLOSS | 630 |
| 12 | 1/2 | 13/16-16 | 13/16-16 | 38 | 24 | 10 | 9 | 19 | 28 | 150 | 8S6MLOS | 8S6MLOSS | 630 |
| 14, 15, 16 | 5/8 | 1-14 | 1-14 | 41 | 30 | 13 | 12 | 27 | 33 | 233 | 10S6MLOS | 10S6MLOSS | 420 |
| 18, 20 | 3/4 | 1 3/16-12 | 1 3/16-12 | 46 | 35 | 16 | 14 | 30 | 37 | 383 | 12 S6LO-S | 12S6MLOSS | 420 |
| 22, 25 | 1 | 1 7/16-12 | 1 7/16-12 | 53 | 41 | 21 | 20 | 37 | 42 | 518 | 16 S6LO-S | 16S6MLOSS | 420 |
| 28, 30, 32 | 1 1/4 | 1 11/16-12 | 1 11/16-12 | 58 | 48 | 26 | 26 | 41 | 45 | 775 | 20 S6LO-S | 20S6MLOSS | 350 |
| 35, 38 | 1 1/2 | 2-12 | 2-12 | 61 | 57 | 32 | 32 | 48 | 49 | 933 | 24 S6LO-S | 24S6MLOSS | 280 |

O-Lok® is delivered with NBR elastomeric seals as standard. For more details on other seal materials see page J73–J74.

Part numbers shown are part of our current manufacturing programme.

Imperial and metric parts may vary in hexagon dimensions.

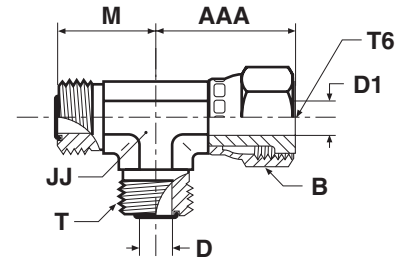
$$\frac{\text{PN (bar)}}{10} = \text{PN (MPa)}$$

Pressure ratings – PN shown, apply to Steel and Stainless Steel versions of the product.



R6MLO Swivel nut run tee

O-Lok® ORFS female swivel end/O-Lok® ORFS tube ends
 SAE 52M0432 ISO 8434-3 SWRT



| Tube O.D. | | Thread UN/UNF-2A T | Thread UN/UNF-2B T6 | AAA | B | D | D1 | JJ | M | Weight (steel) | O-Lok® Steel | O-Lok® Stainless Steel | PN (bar) |
|------------|-----------|--------------------|---------------------|-----|----|----|----|----|----|----------------|------------------|------------------------|----------|
| mm | in. | | | mm | mm | mm | mm | mm | mm | g/1 piece | | | |
| 6 | 1/4 | 9/16-18 | 9/16-18 | 26 | 17 | 5 | 4 | 14 | 22 | 66 | 4R6MLOS | 4R6MLOSS | 500 |
| 8, 10 | 5/16, 3/8 | 11/16-16 | 11/16-16 | 29 | 22 | 7 | 7 | 19 | 25 | 125 | 6R6MLOS | 6R6MLOSS | 630 |
| 12 | 1/2 | 13/16-16 | 13/16-16 | 38 | 24 | 10 | 9 | 19 | 28 | 150 | 8R6MLOS | 8R6MLOSS | 630 |
| 14, 15, 16 | 5/8 | 1-14 | 1-14 | 41 | 30 | 13 | 12 | 27 | 33 | 233 | 10R6MLOS | 10R6MLOSS | 420 |
| 18, 20 | 3/4 | 1 3/16-12 | 1 3/16-12 | 46 | 35 | 16 | 14 | 30 | 37 | 383 | 12 R6LO-S | 12R6MLOSS | 420 |
| 22, 25 | 1 | 1 7/16-12 | 1 7/16-12 | 53 | 41 | 21 | 20 | 37 | 42 | 518 | 16 R6LO-S | 16R6MLOSS | 420 |
| 28, 30, 32 | 1 1/4 | 1 11/16-12 | 1 11/16-12 | 58 | 48 | 26 | 26 | 41 | 45 | 775 | 20 R6LO-S | 20R6MLOSS | 350 |
| 35, 38 | 1 1/2 | 2-12 | 2-12 | 61 | 57 | 32 | 32 | 48 | 49 | 933 | 24 R6LO-S | 24R6MLOSS | 280 |

O-Lok® is delivered with NBR elastomeric seals as standard. For more details on other seal materials see page J73-J74.

Part numbers shown are part of our current manufacturing programme.

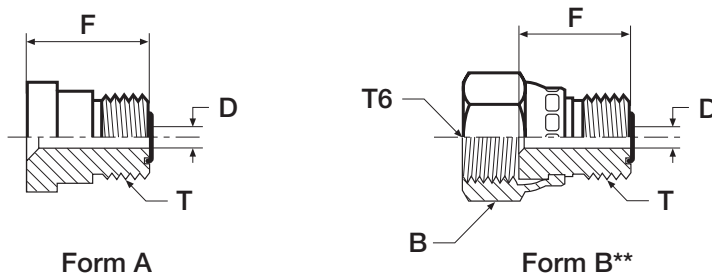
Imperial and metric parts may vary in hexagon dimensions.

$$\frac{\text{PN (bar)}}{10} = \text{PN (MPa)}$$

Pressure ratings – PN shown, apply to Steel and Stainless Steel versions of the product.

TRMLO Tube end reducer

O-Lok® ORFS tube end/O-Lok® ORFS swivel female end
SAE 520123 /A



| Tube O.D. | | Thread UN/UNF-2A T | Thread UN/UNF-2B T6 | B mm | D mm | F mm | Weight (steel) g/1 piece | Form | O-Lok® Steel | O-Lok® Stainless Steel | PN (bar) |
|-----------|-------|--------------------|---------------------|------|------|------|--------------------------|------|--------------|------------------------|----------|
| 10 | 3/8 | 9/16-18 | 11/16-16 | 21 | 5 | 20 | 21 | B | 6-4TRMLONS | 6-4TRMLONSS | 630 |
| 12 | 1/2 | 9/16-18 | — | — | 5 | 22 | 30 | A | 8-4 TRLO-S | 8-4TRMLOSS | 630 |
| 12 | 1/2 | 11/16-16 | 13/16-16 | 24 | 7 | 22 | 33 | B | 8-6TRMLONS | 8-6TRMLONSS | 630 |
| 16 | 5/8 | 9/16-18 | — | — | 5 | 23 | 37 | A | 10-4 TRLO-S | 10-4TRMLOSS | 420 |
| 16 | 5/8 | 11/16-16 | — | — | 7 | 24 | 48 | A | 10-6 TRLO-S | 10-6TRMLOSS | 420 |
| 16 | 5/8 | 13/16-16 | — | — | 10 | 26 | 50 | A | 10-8 TRLO-S | 10-8TRMLOSS | 420 |
| 20 | 3/4 | 9/16-18 | — | — | 5 | 25 | 63 | A | 12-4 TRLO-S | 12-4TRMLOSS | 420 |
| 20 | 3/4 | 11/16-16 | — | — | 7 | 26 | 66 | A | 12-6 TRLO-S | 12-6TRMLOSS | 420 |
| 20 | 3/4 | 13/16-16 | — | — | 10 | 28 | 71 | A | 12-8 TRLO-S | 12-8TRMLOSS | 420 |
| 20 | 3/4 | 1-14 | 1 3/16-12 | 36 | 13 | 30 | 85 | B | 12-10TRMLONS | 12-10TRMLONSS | 420 |
| 25 | 1 | 13/16-16 | — | — | 10 | 29 | 103 | A | 16-8 TRLO-S | 16-8TRMLOSS | 420 |
| 25 | 1 | 1-14 | — | — | 13 | 32 | 118 | A | 16-10 TRLO-S | 16-10TRMLOSS | 420 |
| 25 | 1 | 1 3/16-12 | 1 7/16-12 | 41 | 16 | 33 | 133 | B | 16-12 TRLO-S | 16-12TRMLONSS | 420 |
| 32 | 1 1/4 | 1 3/16-12 | — | — | 16 | 34 | 169 | A | 20-12 TRLO-S | 20-12TRMLOSS | 420 |
| 32 | 1 1/4 | 1 7/16-12 | 1 11/16-12 | 48 | 21 | 38 | 183 | B | 20-16 TRLO-S | 20-16TRMLONSS | 350 |
| 38 | 1 1/2 | 1 7/16-12 | — | — | 21 | 31 | 205 | A | 24-16 TRLO-S | 24-16TRMLOSS | 350 |
| 38 | 1 1/2 | 1 11/16-12 | — | — | 26 | 34 | 209 | A | 24-20 TRLO-S | 24-20TRMLOSS | 350 |
| 50 | 2 | 1 11/16-12 | — | — | 26 | 36 | 420 | A | 32-20 TRLO-S | 32-20TRMLOSS | 200 |
| 50 | 2 | 2-12 | — | — | 32 | 36 | 420 | A | 32-24 TRLO-S | 32-24TRMLOSS | 200 |

O-Lok® is delivered with NBR elastomeric seals as standard. For more details on other seal materials see page J73–J74.

Part numbers shown are part of our current manufacturing programme.

Imperial and metric parts may vary in hexagon dimensions.

$$\frac{\text{PN (bar)}}{10} = \text{PN (MPa)}$$

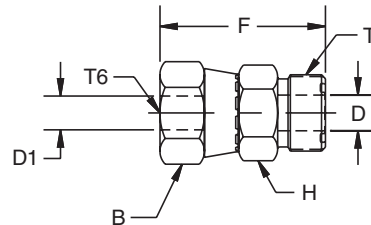
Pressure ratings – PN shown, apply to Steel and Stainless Steel versions of the product.

**These size come assembled with a crimp style nut (Form B).



LOHL6 Tube end expander

O-Lok® ORFS tube end/O-Lok® ORFS female swivel end



| Tube O.D. | | Thread UN/UNF-2A T | Thread UN/UNF-2B T6 | B mm | D mm | D1 mm | H mm | F mm | Weight (steel) g/1 piece | O-Lok® Steel | PN (bar) |
|------------|-----------|-----------------------|------------------------|---------|---------|----------|---------|---------|--------------------------------|-------------------|-------------|
| mm | in. | | | | | | | | | | |
| 8, 10 | 5/16, 3/8 | 11/16-16 | 9/16-18 | 18 | 7 | 4 | 19 | 35 | 33 | 6-4LOHL6 | 630 |
| 12 | 1/2 | 13/16-16 | 11/16-16 | 21 | 10 | 7 | 22 | 39 | 52 | 8-6LOHL6 | 630 |
| 14, 15, 16 | 5/8 | 1-14 | 13/16-16 | 24 | 13 | 9 | 27 | 46 | 92 | 10-8LOHL6 | 420 |
| 18, 20 | 3/4 | 1 3/16-12 | 1-14 | 29 | 16 | 12 | 32 | 51 | 146 | 12-10LOHL6 | 420 |
| 22, 25 | 1 | 1 7/16-12 | 1 3/16-12 | 35 | 21 | 14 | 41 | 55 | 205 | 16-12LOHL6 | 420 |
| 28, 30, 32 | 1 1/4 | 1 11/16-12 | 1 7/16-12 | 42 | 26 | 20 | 46 | 58 | 260 | 20-16LOHL6 | 350 |
| 35, 38 | 1 1/2 | 2-12 | 1 11/16-12 | 48 | 26 | 26 | 55 | 60 | 315 | 24-20LOHL6 | 280 |

O-Lok® is delivered with NBR elastomeric seals as standard. For more details on other seal materials see page J73–J74.

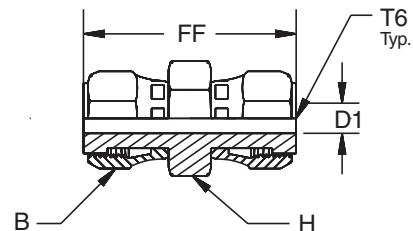
Part numbers shown are part of our current manufacturing programme.

Imperial and metric parts may vary in hexagon dimensions.

$$\frac{\text{PN (bar)}}{10} = \text{PN (MPa)}$$

HL6 Swivel nut union

O-Lok® ORFS female swivel ends



| mm | Tube O.D. in. | Thread UN/UNF-2B T6 | B mm | D1 mm | FF mm | H mm | Weight (steel) g/1 piece | O-Lok® Steel | PN (bar) |
|------------|---------------------|---------------------------|---------|----------|----------|---------|--------------------------------|-----------------|-------------|
| 6 | 1/4 | 9/16-18 | 18 | 4.0 | 40.4 | 17 | 53 | 4 HL6-S | 500 |
| 8, 10 | 5/16, 3/8 | 11/16-16 | 21 | 6.5 | 45.0 | 19 | 66 | 6 HL6-S | 630 |
| 12 | 1/2 | 13/16-16 | 24 | 9.0 | 53.8 | 22 | 110 | 8 HL6-S | 630 |
| 14, 15, 16 | 5/8 | 1-14 | 29 | 11.5 | 61.5 | 27 | 173 | 10 HL6-S | 420 |
| 18, 20 | 3/4 | 1 3/16-12 | 35 | 14.0 | 69.6 | 32 | 275 | 12 HL6-S | 420 |

Part numbers shown are part of our current manufacturing programme.

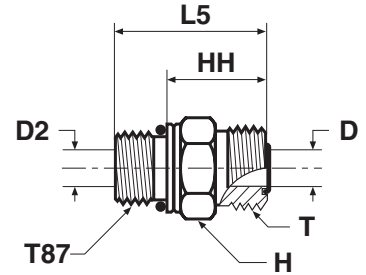
Imperial and metric parts may vary in hexagon dimensions.

$$\frac{\text{PN (bar)}}{10} = \text{PN (MPa)}$$

J

F87OMLO Male stud connector

O-Lok® ORFS tube end /Male metric thread – O-ring (ISO 6149-2)
 SAE 52M0187 ISO 8434-3 SDS



| Tube O.D. | | Thread metric T87 | Thread UN/UNF-2A T | D mm | D2 mm | H mm | HH mm | L5 mm | Weight (steel) g/1 piece | O-Lok® | | PN (bar) |
|------------|-----------|-------------------|--------------------|------|-------|------|-------|-------|--------------------------|---------------|-----------------|----------|
| mm | in. | | | | | | | | | Steel | Stainless Steel | |
| 6 | 1/4 | M10×1.0 | 9/16-18 | 5 | 3 | 17 | 18 | 27 | 20 | 4M10F87OMLOS | 4M10F87OMLOSS | 630 |
| 6 | 1/4 | M12×1.5 | 9/16-18 | 5 | 4 | 17 | 18 | 29 | 24 | 4M12F87OMLOS | 4M12F87OMLOSS | 630 |
| 6 | 1/4 | M14×1.5 | 9/16-18 | 5 | 5 | 19 | 19 | 30 | 30 | 4M14F87OMLOS | 4M14F87OMLOSS | 630 |
| 8, 10 | 5/16, 3/8 | M12×1.5 | 11/16-16 | 6 | 4 | 19 | 23 | 34 | 40 | 6M12F87OMLOS | 6M12F87OMLOSS | 630 |
| 8, 10 | 5/16, 3/8 | M14×1.5 | 11/16-16 | 7 | 6 | 19 | 20 | 31 | 43 | 6M14F87OMLOS | 6M14F87OMLOSS | 630 |
| 8, 10 | 5/16, 3/8 | M16×1.5 | 11/16-16 | 7 | 7 | 22 | 21 | 34 | 43 | 6M16F87OMLOS | 6M16F87OMLOSS | 630 |
| 8, 10 | 5/16, 3/8 | M18×1.5 | 11/16-16 | 7 | 7 | 24 | 21 | 35 | 45 | 6M18F87OMLOS | 6M18F87OMLOSS | 630 |
| 8, 10 | 5/16, 3/8 | M22×1.5 | 11/16-16 | 7 | 7 | 27 | 23 | 38 | 52 | 6M22F87OMLOS | 6M22F87OMLOSS | 420 |
| 12 | 1/2 | M14×1.5 | 13/16-16 | 10 | 6 | 22 | 24 | 35 | 40 | 8M14F87OMLOS | 8M14F87OMLOSS | 630 |
| 12 | 1/2 | M16×1.5 | 13/16-16 | 10 | 7 | 24 | 24 | 37 | 58 | 8M16F87OMLOS | 8M16F87OMLOSS | 630 |
| 12 | 1/2 | M18×1.5 | 13/16-16 | 10 | 9 | 24 | 23 | 37 | 55 | 8M18F87OMLOS | 8M18F87OMLOSS | 630 |
| 12 | 1/2 | M22×1.5 | 13/16-16 | 10 | 10 | 27 | 24 | 39 | 60 | 8M22F87OMLOS | 8M22F87OMLOSS | 420 |
| 12 | 1/2 | M27×2 | 13/16-16 | 10 | 10 | 32 | 26 | 44 | 70 | 8M27F87OMLOS | 8M27F87OMLOSS | 420 |
| 14, 15, 16 | 5/8 | M18×1.5 | 1-14 | 13 | 9 | 27 | 27 | 41 | 120 | 10M18F87OMLOS | 10M18F87OMLOSS | 420 |
| 14, 15, 16 | 5/8 | M22×1.5 | 1-14 | 13 | 12 | 27 | 27 | 42 | 127 | 10M22F87OMLOS | 10M22F87OMLOSS | 420 |
| 18, 20 | 3/4 | M22×1.5 | 1 3/16-12 | 16 | 12 | 32 | 35 | 50 | 170 | 12M22F87OMLOS | 12M22F87OMLOSS | 420 |
| 18, 20 | 3/4 | M27×2 | 1 3/16-12 | 16 | 15 | 32 | 30 | 49 | 187 | 12M27F87OMLOS | 12M27F87OMLOSS | 420 |
| 18, 20 | 3/4 | M33×2 | 1 3/16-12 | 16 | 16 | 41 | 31 | 50 | 200 | 12M33F87OMLOS | 12M33F87OMLOSS | 420 |
| 22, 25 | 1 | M27×2 | 1 7/16-12 | 21 | 15 | 41 | 36 | 54 | 230 | 16M27F87OMLOS | 16M27F87OMLOSS | 420 |
| 22, 25 | 1 | M33×2 | 1 7/16-12 | 21 | 20 | 41 | 34 | 52 | 270 | 16M33F87OMLOS | 16M33F87OMLOSS | 420 |
| 28, 30, 32 | 1 1/4 | M33×2 | 1 11/16-12 | 26 | 20 | 46 | 36 | 54 | 370 | 20M33F87OMLOS | 20M33F87OMLOSS | 420 |
| 28, 30, 32 | 1 1/4 | M42×2 | 1 11/16-12 | 26 | 26 | 50 | 36 | 55 | 390 | 20M42F87OMLOS | 20M42F87OMLOSS | 420 |
| 35, 38 | 1 1/2 | M42×2 | 2-12 | 32 | 26 | 55 | 41 | 60 | 400 | 24M42F87OMLOS | 24M42F87OMLOSS | 350 |
| 35, 38 | 1 1/2 | M48×2 | 2-12 | 32 | 32 | 55 | 36 | 57 | 412 | 24M48F87OMLOS | 24M48F87OMLOSS | 350 |
| 50 | 2 | M60×2 | 2 1/2-12 | 40 | 40 | 65 | 41 | 65 | 800 | 32M60F87OMLOS | 32M60F87OMLOSS | 200 |

O-Lok® is delivered with NBR elastomeric seals as standard. For more details on other seal materials see page J73–J74.

Part numbers shown are part of our current manufacturing programme.

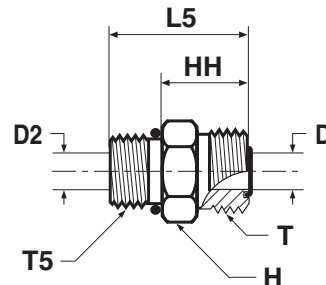
Imperial and metric parts may vary in hexagon dimensions.

$$\frac{\text{PN (bar)}}{10} = \text{PN (MPa)}$$

Pressure ratings – PN shown, apply to Steel and Stainless Steel versions of the product.

F5OMLO Male stud connector

O-Lok® ORFS tube end /Male UN/UNF thread – O-ring (ISO 11926)
SAE 520120



| Tube O.D. | | Thread UN/UNF-2A T5 | Thread UN/UNF-2A T | D | D2 | H | HH | L5 | Weight (steel) g/1 piece | O-Lok® Steel | O-Lok® Stainless Steel | PN (bar) |
|------------|-----------|---------------------|--------------------|----|----|----|----|----|--------------------------|----------------------|------------------------|----------|
| mm | in. | | | mm | mm | mm | mm | mm | | | | |
| 6 | 1/4 | 7/16-20 | 9/16-18 | 5 | 5 | 17 | 18 | 29 | 21 | 4F5OMLOS | 4F5OMLOSS | 630 |
| 6 | 1/4 | 1/2-20 | 9/16-18 | 5 | 6 | 10 | 19 | 29 | 30 | 4-5 F5OLO-S | 4-5F5OMLOSS | 630 |
| 6 | 1/4 | 9/16-18 | 9/16-18 | 5 | 5 | 19 | 19 | 31 | 36 | 4-6F5OMLOS | 4-6F5OMLOSS | 630 |
| 6 | 1/4 | 3/4-16 | 9/16-18 | 5 | 5 | 22 | 20 | 34 | 67 | 4-8 F5OLO-S | 4-8F5OMLOSS | 630 |
| 8, 10 | 5/16, 3/8 | 9/16-18 | 11/16-16 | 7 | 7 | 19 | 20 | 32 | 45 | 6F5OMLOS | 6F5OMLOSS | 630 |
| 8, 10 | 5/16, 3/8 | 7/16-20 | 11/16-16 | 7 | 5 | 19 | 23 | 34 | 47 | 6-4F5OMLOS | 6-4F5OMLOSS | 630 |
| 8, 10 | 5/16, 3/8 | 1/2-20 | 11/16-16 | 7 | 6 | 19 | 21 | 31 | 50 | 6-5 F5OLO-S | 6-5F5OMLOSS | 630 |
| 8, 10 | 5/16, 3/8 | 3/4-16 | 11/16-16 | 7 | 7 | 22 | 21 | 35 | 51 | 6-8F5OMLOS | 6-8F5OMLOSS | 630 |
| 8, 10 | 5/16, 3/8 | 7/8-14 | 11/16-16 | 7 | 7 | 27 | 23 | 39 | 89 | 6-10F5OMLOS | 6-10F5OMLOSS | 420 |
| 10 | 1/2 | 3/4-16 | 13/16-16 | 10 | 10 | 22 | 23 | 37 | 56 | 8F5OMLOS | 8F5OMLOSS | 630 |
| 12 | 1/2 | 9/16-18 | 13/16-16 | 10 | 8 | 22 | 26 | 38 | 69 | 8-6F5OMLOS | 8-6F5OMLOSS | 630 |
| 12 | 1/2 | 7/8-14 | 13/16-16 | 10 | 10 | 27 | 24 | 40 | 105 | 8-10F5OMLOS | 8-10F5OMLOSS | 420 |
| 12 | 1/2 | 1 1/16-12 | 13/16-16 | 10 | 10 | 32 | 26 | 44 | 169 | 8-12F5OMLOS | 8-12F5OMLOSS | 420 |
| 12 | 1/2 | 1 5/16-12 | 13/16-16 | 10 | 10 | 38 | 27 | 46 | 227 | 8-16F5OMLOS | 8-16F5OMLOSS | 420 |
| 14, 15, 16 | 5/8 | 7/8-14 | 1-14 | 13 | 13 | 27 | 27 | 43 | 137 | 10F5OMLOS | 10F5OMLOSS | 420 |
| 14, 15, 16 | 5/8 | 3/4-16 | 1-14 | 13 | 10 | 27 | 31 | 45 | 120 | 10-8F5OMLOS | 10-8F5OMLOSS | 420 |
| 14, 15, 16 | 5/8 | 1 1/16-12 | 1-14 | 13 | 13 | 32 | 29 | 47 | 170 | 10-12F5OMLOS | 10-12F5OMLOSS | 420 |
| 18, 20 | 3/4 | 1 1/16-12 | 1 3/16-12 | 16 | 16 | 32 | 30 | 49 | 189 | 12F5OMLOS | 12F5OMLOSS | 420 |
| 18, 20 | 3/4 | 3/4-16 | 1 3/16-12 | 16 | 10 | 32 | 35 | 49 | 167 | 12-8 F5OLO-S | 12-8F5OMLOSS | 420 |
| 18, 20 | 3/4 | 7/8-14 | 1 3/16-12 | 16 | 13 | 32 | 35 | 51 | 177 | 12-10F5OMLOS | 12-10F5OMLOSS | 420 |
| 18, 20 | 3/4 | 1 5/16-12 | 1 3/16-12 | 16 | 16 | 38 | 31 | 50 | 280 | 12-16F5OMLOS | 12-16F5OMLOSS | 420 |
| 18, 20 | 3/4 | 1 5/8-12 | 1 3/16-12 | 16 | 16 | 46 | 32 | 51 | 350 | 12-20F5OMLOS | 12-20F5OMLOSS | 420 |
| 22, 25 | 1 | 1 5/16-12 | 1 7/16-12 | 21 | 21 | 41 | 32 | 50 | 271 | 16F5OMLOS | 16F5OMLOSS | 420 |
| 22, 25 | 1 | 1 1/16-12 | 1 7/16-12 | 21 | 16 | 41 | 36 | 55 | 275 | 16-12F5OMLOS | 16-12F5OMLOSS | 420 |
| 22, 25 | 1 | 1 5/8-12 | 1 7/16-12 | 21 | 21 | 46 | 34 | 52 | 428 | 16-20F5OMLOS | 16-20F5OMLOSS | 420 |
| 28, 30, 32 | 1 1/4 | 1 5/8-12 | 1 11/16-12 | 26 | 26 | 46 | 34 | 52 | 391 | 20F5OMLOS | 20F5OMLOSS | 420 |
| 28, 30, 32 | 1 1/4 | 1 5/16-12 | 1 11/16-12 | 26 | 21 | 48 | 39 | 58 | 401 | 20-16 F5OLO-S | 20-16F5OMLOSS | 420 |
| 28, 30, 32 | 1 1/4 | 1 7/8-12 | 1 11/16-12 | 26 | 32 | 54 | 36 | 54 | 557 | 20-24 F5OLO-S | 20-24F5OMLOSS | 350 |
| 35, 38 | 1 1/2 | 1 7/8-12 | 2-12 | 32 | 32 | 54 | 36 | 54 | 412 | 24 F5OLO-S | 24F5OMLOSS | 350 |
| 35, 38 | 1 1/2 | 1 5/8-12 | 2-12 | 32 | 26 | 54 | 41 | 60 | 581 | 24-20 F5OLO-S | 24-20F5OMLOSS | 350 |
| 50 | 2 | 2 1/2-12 | 2 1/2-12 | 45 | 40 | 70 | 40 | 59 | 900 | 32 F5OLO-S | 32F5OMLOSS | 200 |

O-Lok® is delivered with NBR elastomeric seals as standard. For more details on other seal materials see page J73-J74.

Part numbers shown are part of our current manufacturing programme.

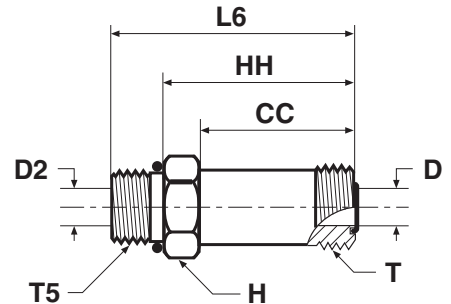
Imperial and metric parts may vary in hexagon dimensions.

$$\frac{\text{PN (bar)}}{10} = \text{PN (MPa)}$$

Pressure ratings – PN shown, apply to Steel and Stainless Steel versions of the product.

FF5OMLO Extended male stud connector

O-Lok® ORFS tube end/Male UN/UNF thread – O-ring (ISO 11926)
SAE 521720 (Previously 520122)



| Tube O.D. | | Thread UN/UNF-2A T5 | Thread UN/UNF-2A T | CC | D | D2 | H | HH | L6 | Weight (steel) | O-Lok® Steel | O-Lok® Stainless Steel | PN (bar) |
|------------|-----------|---------------------|--------------------|----|----|----|----|-----|-----|----------------|--------------------|------------------------|----------|
| mm | in. | | | mm | mm | mm | mm | mm | mm | g/1 piece | | | |
| 6 | 1/4 | 7/16-20 | 9/16-18 | 34 | 5 | 5 | 16 | 42 | 53 | 51 | 4 FF5OLO-S | 4FF5OMLOSS | 630 |
| 8, 10 | 5/16, 3/8 | 9/16-18 | 11/16-16 | 37 | 7 | 7 | 19 | 46 | 58 | 79 | 6 FF5OLO-S | 6FF5OMLOSS | 630 |
| 12 | 1/2 | 3/4-16 | 13/16-16 | 44 | 10 | 10 | 22 | 54 | 68 | 125 | 8 FF5OLO-S | 8FF5OMLOSS | 630 |
| 14, 15, 16 | 5/8 | 7/8-14 | 1-14 | 52 | 13 | 13 | 27 | 64 | 80 | 212 | 10 FF5OLO-S | 10FF5OMLOSS | 420 |
| 18, 20 | 3/4 | 1 1/16-12 | 1 3/16-12 | 52 | 16 | 16 | 33 | 77 | 96 | 309 | 12 FF5OLO-S | 12FF5OMLOSS | 420 |
| 22, 25 | 1 | 1 5/16-12 | 1 7/16-12 | 72 | 21 | 21 | 41 | 87 | 105 | 435 | 16 FF5OLO-S | 16FF5OMLOSS | 420 |
| 28, 30, 32 | 1 1/4 | 1 5/8-12 | 1 11/16-12 | 86 | 26 | 26 | 48 | 102 | 121 | 818 | 20 FF5OLO-S | 20FF5OMLOSS | 420 |
| 35, 38 | 1 1/2 | 1 7/8-12 | 2-12 | 97 | 32 | 32 | 54 | 115 | 134 | 1430 | 24 FF5OLO-S | 24FF5OMLOSS | 350 |

O-Lok® is delivered with NBR elastomeric seals as standard. For more details on other seal materials see page J73–J74.

Part numbers shown are part of our current manufacturing programme.

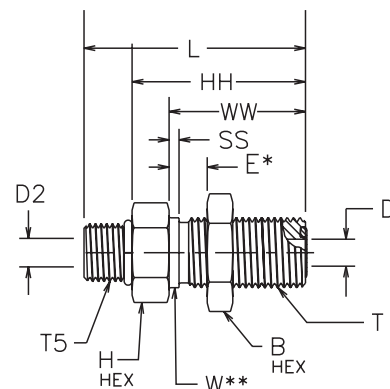
Imperial and metric parts may vary in hexagon dimensions.

$$\frac{\text{PN (bar)}}{10} = \text{PN (MPa)}$$

Pressure ratings – PN shown, apply to Steel and Stainless Steel versions of the product.

WF5OLO Bulkhead male connector

O-Lok® ORFS tube end/Male UN/UNF – O-ring (ISO 11926)



| Tube O.D. mm | Tube O.D. in. | Thread UN/UNF-2A T | Thread UN/UNF-2A T5 | B mm | D mm | D2 mm | E mm | H mm | HH mm | L mm | SS mm | W mm | WW mm | Weight (steel) g/1 piece | O-Lok® Steel | PN (bar) |
|-----------------|------------------|--------------------------|---------------------------|---------|---------|----------|---------|---------|----------|---------|----------|---------|----------|--------------------------------|--------------------------|-------------|
| 6 | 1/4 | 9/16-18 | 7/16-20 | 21 | 5 | 5 | 14 | 21 | 43 | 54 | 2 | 14 | 32 | 75 | 4 WF5OLO-WLNL-S | 630 |
| 6 | 1/4 | 9/16-18 | 9/16-18 | 21 | 5 | 8 | 14 | 21 | 43 | 55 | 2 | 14 | 32 | 88 | 4-6 WF5OLO-WLNL-S | 630 |
| 8, 10 | 5/16, 3/8 | 11/16-16 | 9/16-18 | 25 | 7 | 8 | 14 | 25 | 46 | 58 | 2 | 18 | 34 | 112 | 6 WF5OLO-WLNL-S | 630 |
| 12 | 1/2 | 13/16-16 | 3/4-16 | 29 | 10 | 10 | 14 | 29 | 52 | 65 | 2 | 21 | 37 | 147 | 8 WF5OLO-WLNL-S | 630 |
| 14, 15, 16 | 5/8 | 1-14 | 7/8-14 | 33 | 13 | 13 | 13 | 33 | 51 | 67 | 2 | 25 | 41 | 295 | 10 WF5OLO-WLNL-S | 420 |
| 18, 20 | 3/4 | 1 3/16-12 | 1 1/16-12 | 41 | 16 | 16 | 13 | 41 | 52 | 71 | 2 | 30 | 42 | 330 | 12 WF5OLO-WLNL-S | 420 |

O-Lok® is delivered with NBR elastomeric seals as standard. For more details on other seal materials see page J73–J74.

Part numbers shown are part of our current manufacturing programme.

Imperial and metric parts may vary in hexagon dimensions.

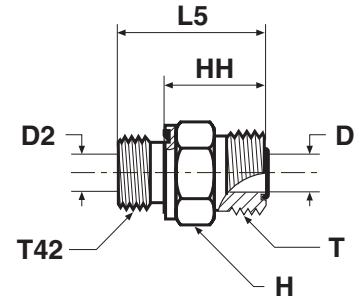
For the version without the locknut remove "WLNL" (e.g. 12 WF5OLO)

$$\frac{\text{PN (bar)}}{10} = \text{PN (MPa)}$$

J

F42EDMLO Male stud connector

O-Lok® ORFS tube end /Male BSPP thread – ED seal (ISO 1179)



| Tube O.D. | | BSPP male thread T42 | Thread UN/UNF-2A T | D mm | D2 mm | H mm | HH mm | L5 mm | Weight (steel) g/1 piece | O-Lok® | | PN (bar) |
|------------|-----------|----------------------|--------------------|------|-------|------|-------|-------|--------------------------|----------------|-----------------|----------|
| mm | in. | | | | | | | | | Steel | Stainless Steel | |
| 6 | 1/4 | 1/8 | 9/16-18 | 5 | 4 | 17 | 18 | 26 | 29 | 4F42EDMLOS | 4F42EDMLOSS | 630 |
| 6 | 1/4 | 1/4 | 9/16-18 | 5 | 5 | 19 | 18 | 31 | 42 | 4-4F42EDMLOS | 4-4F42EDMLOSS | 630 |
| 6 | 1/4 | 3/8 | 9/16-18 | 5 | 5 | 22 | 20 | 32 | 61 | 4-6F42EDMLOS | 4-6F42EDMLOSS | 630 |
| 6 | 1/4 | 1/2 | 9/16-18 | 5 | 5 | 27 | 21 | 35 | 119 | 4-8F42EDMLOS | 4-8F42EDMLOSS | 420 |
| 8, 10 | 5/16, 3/8 | 1/4 | 11/16-16 | 7 | 5 | 19 | 20 | 32 | 45 | 6F42EDMLOS | 6F42EDMLOSS | 630 |
| 8, 10 | 5/16, 3/8 | 1/8 | 11/16-16 | 7 | 4 | 19 | 23 | 31 | 44 | 6-2F42EDMLOS | 6-2F42EDMLOSS | 630 |
| 8, 10 | 5/16, 3/8 | 3/8 | 11/16-16 | 7 | 7 | 22 | 21 | 33 | 63 | 6-6F42EDMLOS | 6-6F42EDMLOSS | 630 |
| 8, 10 | 5/16, 3/8 | 1/2 | 11/16-16 | 7 | 7 | 27 | 23 | 37 | 122 | 6-8F42EDMLOS | 6-8F42EDMLOSS | 420 |
| 8, 10 | 5/16, 3/8 | 3/4 | 11/16-16 | 7 | 7 | 32 | 24 | 40 | 192 | 6-12F42EDMLOS | 6-12F42EDMLOSS | 420 |
| 12 | 1/2 | 3/8 | 13/16-16 | 10 | 8 | 22 | 23 | 35 | 196 | 8F42EDMLOS | 8F42EDMLOSS | 630 |
| 12 | 1/2 | 1/4 | 13/16-16 | 10 | 5 | 22 | 25 | 38 | 193 | 8-4F42EDMLOS | 8-4F42EDMLOSS | 630 |
| 12 | 1/2 | 1/2 | 13/16-16 | 10 | 10 | 27 | 24 | 38 | 198 | 8-8F42EDMLOS | 8-8F42EDMLOSS | 420 |
| 12 | 1/2 | 3/4 | 13/16-16 | 10 | 10 | 32 | 26 | 42 | 205 | 8-12F42EDMLOS | 8-12F42EDMLOSS | 420 |
| 14, 15, 16 | 5/8 | 1/2 | 1-14 | 13 | 13 | 27 | 27 | 41 | 332 | 10F42EDMLOS | 10F42EDMLOSS | 420 |
| 14, 15, 16 | 5/8 | 3/8 | 1-14 | 13 | 8 | 27 | 31 | 43 | 315 | 10-6F42EDMLOS | 10-6F42EDMLOSS | 420 |
| 14, 15, 16 | 5/8 | 3/4 | 1-14 | 13 | 13 | 32 | 29 | 45 | 348 | 10-12F42EDMLOS | 10-12F42EDMLOSS | 420 |
| 14, 15, 16 | 5/8 | 1 | 1-14 | 13 | 13 | 41 | 30 | 48 | 360 | 10-16F42EDMLOS | 10-16F42EDMLOSS | 420 |
| 18, 20 | 3/4 | 3/4 | 1 3/16-12 | 16 | 16 | 32 | 30 | 46 | 200 | 12F42EDMLOS | 12F42EDMLOSS | 420 |
| 18, 20 | 3/4 | 1/2 | 1 3/16-12 | 16 | 12 | 32 | 34 | 49 | 183 | 12-8F42EDMLOS | 12-8F42EDMLOSS | 420 |
| 18, 20 | 3/4 | 1 | 1 3/16-12 | 16 | 16 | 41 | 31 | 49 | 362 | 12-16F42EDMLOS | 12-16F42EDMLOSS | 420 |
| 18, 20 | 3/4 | 1 1/4 | 1 3/16-12 | 16 | 16 | 50 | 33 | 53 | 505 | 12-20F42EDMLOS | 12-20F42EDMLOSS | 420 |
| 22, 25 | 1 | 1 | 1 7/16-12 | 21 | 20 | 41 | 32 | 50 | 343 | 16F42EDMLOS | 16F42EDMLOSS | 420 |
| 22, 25 | 1 | 1/2 | 1 7/16-12 | 21 | 12 | 41 | 36 | 50 | 380 | 16-8F42EDMLOS | 16-8F42EDMLOSS | 420 |
| 22, 25 | 1 | 3/4 | 1 7/16-12 | 21 | 16 | 41 | 36 | 52 | 411 | 16-12F42EDMLOS | 16-12F42EDMLOSS | 420 |
| 22, 25 | 1 | 1 1/4 | 1 7/16-12 | 21 | 21 | 50 | 34 | 54 | 487 | 16-20F42EDMLOS | 16-20F42EDMLOSS | 420 |
| 22, 25 | 1 | 1 1/2 | 1 7/16-12 | 21 | 21 | 55 | 36 | 58 | 715 | 16-24F42EDMLOS | 16-24F42EDMLOSS | 350 |
| 28, 30, 32 | 1 1/4 | 1 1/4 | 1 11/16-12 | 25 | 25 | 50 | 34 | 54 | 454 | 20F42EDMLOS | 20F42EDMLOSS | 420 |
| 28, 30, 32 | 1 1/4 | 1 | 1 11/16-12 | 26 | 20 | 46 | 39 | 57 | 412 | 20-16F42EDMLOS | 20-16F42EDMLOSS | 420 |
| 28, 30, 32 | 1 1/4 | 1 1/2 | 1 11/16-12 | 26 | 26 | 55 | 36 | 58 | 532 | 20-24F42EDMLOS | 20-24F42EDMLOSS | 350 |
| 35, 38 | 1 1/2 | 1 1/2 | 2-12 | 32 | 32 | 55 | 36 | 58 | 585 | 24F42EDMLOS | 24F42EDMLOSS | 350 |
| 35, 38 | 1 1/2 | 1 1/4 | 2-12 | 32 | 25 | 55 | 41 | 61 | 540 | 24-20F42EDMLOS | 24-20F42EDMLOSS | 350 |
| 50 | 2 | 2 | 2 1/2-12 | 40 | 40 | 75 | 41 | 65 | 900 | 32F42EDMLOS | 32F42EDMLOSS | 200 |

O-Lok® is delivered with NBR elastomeric seals as standard. For more details on other seal materials see page J73-J74.

Part numbers shown are part of our current manufacturing programme.

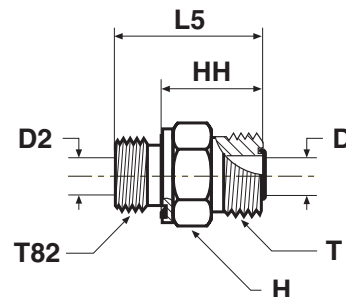
Imperial and metric parts may vary in hexagon dimensions.

$$\frac{\text{PN (bar)}}{10} = \text{PN (MPa)}$$

Pressure ratings – PN shown, apply to Steel and Stainless Steel versions of the product.

F82EDMLO Male stud connector

O-Lok® ORFS tube end /Male metric thread – ED seal (ISO 9974)



| Tube O.D. | | Thread metric T87 | Thread UN/UNF-2A T | D mm | D2 mm | H mm | HH mm | L5 mm | Weight (steel) g/1 piece | O-Lok® Steel | O-Lok® Stainless Steel | PN (bar) |
|------------|-----------|-------------------|--------------------|------|-------|------|-------|-------|--------------------------|----------------|------------------------|----------|
| mm | in. | | | | | | | | | | | |
| 6 | 1/4 | M10×1.0 | 9/16-18 | 5 | 4 | 17 | 18 | 26 | 20 | 4M10F82EDMLOS | 4M10F82EDMLOSS | 630 |
| 6 | 1/4 | M12×1.5 | 9/16-18 | 5 | 4 | 17 | 18 | 30 | 24 | 4M12F82EDMLOS | 4M12F82EDMLOSS | 630 |
| 6 | 1/4 | M14×1.5 | 9/16-18 | 5 | 5 | 19 | 19 | 31 | 29 | 4M14F82EDMLOS | 4M14F82EDMLOSS | 630 |
| 6 | 1/4 | M16×1.5 | 9/16-18 | 5 | 7 | 22 | 19 | 31 | 33 | 4M16F82EDMLOS | 4M16F82EDMLOSS | 630 |
| 8, 10 | 5/16, 3/8 | M12×1.5 | 11/16-16 | 7 | 4 | 19 | 23 | 35 | 35 | 6M12F82EDMLOS | 6M12F82EDMLOSS | 630 |
| 8, 10 | 5/16, 3/8 | M14×1.5 | 11/16-16 | 7 | 5 | 19 | 20 | 32 | 40 | 6M14F82EDMLOS | 6M14F82EDMLOSS | 630 |
| 8, 10 | 5/16, 3/8 | M16×1.5 | 11/16-16 | 7 | 7 | 22 | 20 | 32 | 43 | 6M16F82EDMLOS | 6M16F82EDMLOSS | 630 |
| 12 | 1/2 | M16×1.5 | 13/16-16 | 10 | 7 | 22 | 26 | 38 | 49 | 8M16F82EDMLOS | 8M16F82EDMLOSS | 630 |
| 12 | 1/2 | M18×1.5 | 13/16-16 | 10 | 8 | 24 | 23 | 35 | 55 | 8M18F82EDMLOS | 8M18F82EDMLOSS | 630 |
| 14, 15, 16 | 5/8 | M16×1.5 | 1-14 | 13 | 7 | 27 | 30 | 42 | 70 | 10M16F82EDMLOS | 10M16F82EDMLOSS | 420 |
| 14, 15, 16 | 5/8 | M18×1.5 | 1-14 | 13 | 8 | 27 | 31 | 43 | 85 | 10M18F82EDMLOS | 10M18F82EDMLOSS | 420 |
| 14, 15, 16 | 5/8 | M22×1.5 | 1-14 | 13 | 12 | 27 | 27 | 41 | 127 | 10M22F82EDMLOS | 10M22F82EDMLOSS | 420 |
| 18, 20 | 3/4 | M27×2 | 1 3/16-12 | 16 | 16 | 32 | 30 | 46 | 187 | 12M27F82EDMLOS | 12M27F82EDMLOSS | 420 |
| 22, 25 | 1 | M33×2 | 1 7/16-12 | 20 | 20 | 41 | 32 | 50 | 270 | 16M33F82EDMLOS | 16M33F82EDMLOSS | 420 |
| 28, 30, 32 | 1 1/4 | M42×2 | 1 11/16-12 | 26 | 25 | 50 | 34 | 54 | 390 | 20M42F82EDMLOS | 20M42F82EDMLOSS | 420 |
| 35, 38 | 1 1/2 | M48×2 | 2-12 | 32 | 32 | 55 | 36 | 58 | 412 | 24M48F82EDMLOS | 24M48F82EDMLOSS | 350 |

O-Lok® is delivered with NBR elastomeric seals as standard. For more details on other seal materials see page J73–J74.

Part numbers shown are part of our current manufacturing programme.

Imperial and metric parts may vary in hexagon dimensions.

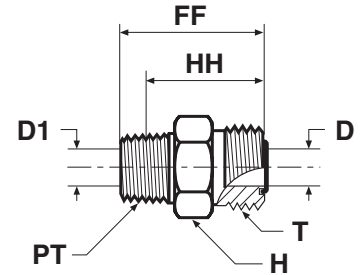
$$\frac{\text{PN (bar)}}{10} = \text{PN (MPa)}$$

Pressure ratings – PN shown, apply to Steel and Stainless Steel versions of the product.

FLO Male stud connector

O-Lok® ORFS tube end/Male NPTF* thread (SAE J476)

*Stainless Steel = NPT to prevent galling



| Tube O.D. | | Thread NPTF PT | Thread UN/UNF-2A T | D mm | D1 mm | FF mm | H mm | HH mm | Weight (steel) g/1 piece | O-Lok® Steel | O-Lok® Stainless Steel | PN (bar) |
|------------|-----------|----------------|--------------------|------|-------|-------|------|-------|--------------------------|--------------------|------------------------|----------|
| mm | in. | | | | | | | | | | | |
| 6 | 1/4 | 1/8-27 | 9/16-18 | 5 | 5 | 27 | 16 | 21 | 26 | 4 FLO-S | 4 FLO-SS | 420 |
| 6 | 1/4 | 1/4-18 | 9/16-18 | 5 | 7 | 32 | 16 | 23 | 34 | 4-4 FLO-S | 4-4 FLO-SS | 420 |
| 6 | 1/4 | 3/8-18 | 9/16-18 | 5 | 5 | 36 | 19 | 25 | 47 | 4-6 FLO-S | 4-6 FLO-SS | 420 |
| 8, 10 | 5/16, 3/8 | 1/4-16 | 11/16-16 | 7 | 7 | 32 | 19 | 23 | 39 | 6 FLO-S | 6 FLO-SS | 420 |
| 8, 10 | 5/16, 3/8 | 3/8-18 | 11/16-16 | 7 | 10 | 34 | 19 | 25 | 52 | 6-6 FLO-S | 6-6 FLO-SS | 420 |
| 8, 10 | 5/16, 3/8 | 1/2-14 | 11/16-16 | 7 | 13 | 39 | 22 | 28 | 82 | 6-8 FLO-S | 6-8 FLO-SS | 420 |
| 12 | 1/2 | 3/8-18 | 13/16-16 | 10 | 10 | 38 | 22 | 29 | 83 | 8 FLO-S | 8 FLO-SS | 420 |
| 12 | 1/2 | 1/2-14 | 13/16-16 | 10 | 13 | 42 | 22 | 30 | 84 | 8-8 FLO-S | 8-8 FLO-SS | 420 |
| 12 | 1/2 | 3/4-14 | 13/16-16 | 10 | 18 | 43 | 29 | 31 | 166 | 8-12 FLO-S | 8-12 FLO-SS | 380 |
| 14, 15, 16 | 5/8 | 1/2-14 | 1-14 | 13 | 13 | 46 | 27 | 35 | 115 | 10 FLO-S | 10 FLO-SS | 420 |
| 14, 15, 16 | 5/8 | 3/4-14 | 1-14 | 13 | 18 | 46 | 29 | 34 | 138 | 10-12 FLO-S | 10-12 FLO-SS | 380 |
| 18, 20 | 3/4 | 3/4-14 | 1 3/16-12 | 15 | 18 | 49 | 32 | 37 | 179 | 12 FLO-S | 12 FLO-SS | 380 |
| 18, 20 | 3/4 | 1/2-14 | 1 3/16-12 | 15 | 13 | 49 | 32 | 37 | 165 | 12-8 FLO-S | 12-8 FLO-SS | 420 |
| 18, 20 | 3/4 | 1-11 1/2 | 1 3/16-12 | 15 | 24 | 54 | 35 | 40 | 225 | 12-16 FLO-S | 12-16 FLO-SS | 310 |
| 22, 25 | 1 | 1-11 1/2 | 1 7/16-12 | 21 | 24 | 56 | 38 | 41 | 271 | 16 FLO-S | 16 FLO-SS | 310 |
| 22, 25 | 1 | 3/4-14 | 1 7/16-12 | 21 | 18 | 51 | 38 | 39 | 238 | 16-12 FLO-S | 16-12 FLO-SS | 380 |
| 28, 30, 32 | 1 1/4 | 1 1/4-11 1/2 | 1 11/16-12 | 26 | 32 | 58 | 48 | 43.5 | 424 | 20 FLO-S | 20 FLO-SS | 210 |
| 35, 38 | 1 1/2 | 1 1/2-11 1/2 | 2-12 | 32 | 38 | 61 | 54 | 46.0 | 534 | 24 FLO-S | 24 FLO-SS | 200 |

O-Lok® is delivered with NBR elastomeric seals as standard. For more details on other seal materials see page J73-J74.

Part numbers shown are part of our current manufacturing programme.

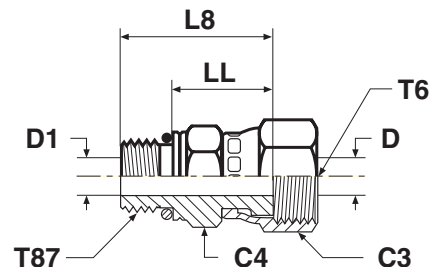
Imperial and metric parts may vary in hexagon dimensions.

$$\frac{\text{PN (bar)}}{10} = \text{PN (MPa)}$$

Pressure ratings – PN shown, apply to Steel and Stainless Steel versions of the product.

F687OML Swivel male stud

O-Lok® ORFS Female swivel end/Male metric thread – O-ring (ISO 6149-2)



| Tube O.D. | | Thread metric T87 | Thread UN/UNF-2B T6 | C3 mm | C4 mm | D mm | D1 mm | L8 mm | LL mm | Weight (steel) g/1 piece | O-Lok® Steel | O-Lok® Stainless Steel | PN (bar) |
|------------|-----------|-------------------|---------------------|-------|-------|------|-------|-------|-------|--------------------------|---------------|------------------------|----------|
| mm | in. | | | | | | | | | | | | |
| 6 | 1/4 | M12×1.5 | 9/16-18 | 17 | 17 | 4 | 4 | 38 | 27 | 53 | 4M12F687OMLS | 4M12F687OMLSS | 500 |
| 6 | 5/16 | M12×1.5 | 11/16-16 | 22 | 17 | 7 | 4 | 40 | 29 | 66 | 6M12F687OMLS | 6M12F687OMLSS | 630 |
| 8 | 3/8 | M14×1.5 | 11/16-16 | 22 | 19 | 7 | 6 | 40 | 29 | 72 | 6M14F687OMLS | 6M14F687OMLSS | 630 |
| 8, 10 | 5/16, 3/8 | M16×1.5 | 11/16-16 | 22 | 22 | 7 | 7 | 42 | 29 | 85 | 6M16F687OMLS | 6M16F687OMLSS | 630 |
| 12 | 1/2 | M16×1.5 | 13/16-16 | 24 | 22 | 9 | 7 | 49 | 36 | 110 | 8M16F687OMLS | 8M16F687OMLSS | 630 |
| 14, 15, 16 | 5/8 | M22×1.5 | 1-14 | 30 | 27 | 12 | 12 | 53 | 38 | 173 | 10M22F687OMLS | 10M22F687OMLSS | 420 |
| 18, 20 | 3/4 | M22×1.5 | 1 3/16-12 | 36 | 30 | 14 | 12 | 57 | 42 | 230 | 12M22F687OMLS | 12M22F687OMLSS | 420 |
| 18, 20 | 3/4 | M27×2 | 1 3/16-12 | 36 | 32 | 14 | 14 | 61 | 42 | 275 | 12M27F687OMLS | 12M27F687OMLSS | 420 |
| 22, 25 | 1 | M27×2 | 1 7/16-12 | 41 | 36 | 20 | 15 | 68 | 49 | 420 | 16M27F687OMLS | 16M27F687OMLSS | 420 |
| 22, 25 | 1 | M33×2 | 1 7/16-12 | 41 | 41 | 20 | 20 | 68 | 49 | 462 | 16M33F687OMLS | 16M33F687OMLSS | 420 |
| 28, 30, 32 | 1 1/4 | M42×2 | 1 11/16-12 | 50 | 50 | 26 | 26 | 68 | 49 | 622 | 20M42F687OMLS | 20M42F687OMLSS | 350 |
| 35, 38 | 1 1/2 | M48×2 | 2-12 | 60 | 55 | 32 | 32 | 71 | 50 | 885 | 24M48F687OMLS | 24M48F687OMLSS | 280 |

O-Lok® is delivered with NBR elastomeric seals as standard. For more details on other seal materials see page J73–J74.

Part numbers shown are part of our current manufacturing programme.

Imperial and metric parts may vary in hexagon dimensions.

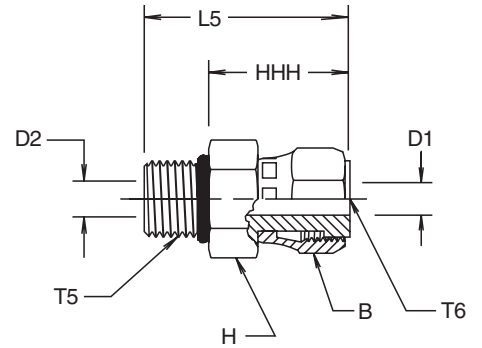
$$\frac{\text{PN (bar)}}{10} = \text{PN (MPa)}$$

Pressure ratings – PN shown, apply to Steel and Stainless Steel versions of the product.



F65OL Swivel male stud

O-Lok® ORFS female swivel end/Male UN/UNF thread – O-ring (ISO 11926)
SAE 520181



| Tube O.D. mm | Tube O.D. in. | Thread UN/UNF-2A T5 | Thread UN/UNF-2B T6 | B mm | D1 mm | D2 mm | H mm | HHH mm | L5 mm | Weight (steel) g/1 piece | O-Lok® Steel | PN (bar) |
|--------------------|---------------------|---------------------------|---------------------------|---------|----------|----------|---------|-----------|----------|--------------------------------|-------------------|-------------|
| 6 | 1/4 | 7/16-20 | 9/16-18 | 18 | 4 | 5 | 17 | 26 | 37 | 53 | 4 F65OL-S | 500 |
| 8, 10 | 5/16, 3/8 | 9/16-18 | 11/16-16 | 21 | 7 | 7 | 19 | 28 | 40 | 66 | 6 F65OL-S | 630 |
| 12 | 1/2 | 3/4-16 | 13/16-16 | 24 | 9 | 10 | 22 | 35 | 50 | 110 | 8 F65OL-S | 630 |
| 14, 15, 16 | 5/8 | 7/8-14 | 1-14 | 29 | 12 | 13 | 27 | 38 | 54 | 173 | 10 F65OL-S | 420 |
| 18, 20 | 3/4 | 1 1/16-12 | 1 3/16-12 | 35 | 14 | 16 | 32 | 41 | 59 | 275 | 12 F65OL-S | 420 |
| 22, 25 | 1 | 1 5/16-12 | 1 7/16-12 | 42 | 20 | 21 | 41 | 49 | 68 | 462 | 16 F65OL-S | 420 |
| 28, 30, 32 | 1 1/4 | 1 5/8-12 | 1 11/16-12 | 48 | 26 | 26 | 46 | 50 | 68 | 622 | 20 F65OL-S | 350 |

O-Lok® is delivered with NBR elastomeric seals as standard. For more details on other seal materials see page J73–J74.

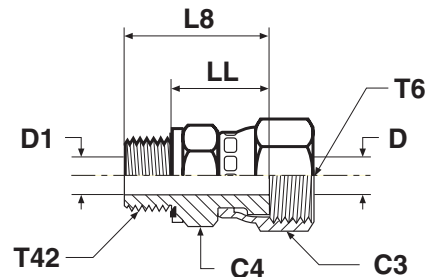
Part numbers shown are part of our current manufacturing programme.

Imperial and metric parts may vary in hexagon dimensions.

$$\frac{\text{PN (bar)}}{10} = \text{PN (MPa)}$$

F642EDMLO Swivel male stud

O-Lok® ORFS Swivel female end/Male BSPP thread – ED seal (ISO 1179)



| Tube O.D. | | Thread BSPP T42 | Thread UN/UNF-2B T6 | C3 mm | C4 mm | D mm | D1 mm | L8 mm | LL mm | Weight (steel) g/1 piece | O-Lok® Steel | O-Lok® Stainless Steel | PN (bar) |
|------------|-----------|-----------------|---------------------|-------|-------|------|-------|-------|-------|--------------------------|----------------|------------------------|----------|
| mm | in. | | | | | | | | | | | | |
| 6 | 1/4 | 1/8 | 9/16-18 | 17 | 14 | 4 | 4 | 34 | 26 | 43 | 4F642EDMLS | 4F642EDMLSS | 500 |
| 6 | 1/4 | 1/4 | 9/16-18 | 17 | 19 | 4 | 4 | 38 | 26 | 59 | 4-4F642EDMLS | 4-4F642EDMLSS | 500 |
| 8, 10 | 5/16, 3/8 | 1/4 | 11/16-16 | 22 | 19 | 7 | 5 | 40 | 28 | 72 | 6F642EDMLS | 6F642EDMLSS | 630 |
| 8, 10 | 5/16, 3/8 | 3/8 | 11/16-16 | 22 | 22 | 7 | 7 | 40 | 28 | 86 | 6-6F642EDMLS | 6-6F642EDMLSS | 630 |
| 8, 10 | 5/16, 3/8 | 1/2 | 11/16-16 | 22 | 27 | 7 | 7 | 42 | 28 | 92 | 6-8F642EDMLS | 6-8F642EDMLSS | 420 |
| 12 | 1/2 | 3/8 | 13/16-16 | 24 | 22 | 9 | 8 | 47 | 35 | 104 | 8F642EDMLS | 8F642EDMLSS | 630 |
| 12 | 1/2 | 1/4 | 13/16-16 | 24 | 22 | 9 | 5 | 47 | 35 | 98 | 8-4F642EDMLS | 8-4F642EDMLSS | 630 |
| 12 | 1/2 | 1/2 | 13/16-16 | 24 | 27 | 9 | 9 | 49 | 35 | 142 | 8-8F642EDMLS | 8-8F642EDMLSS | 420 |
| 14, 15, 16 | 5/8 | 1/2 | 1-14 | 30 | 27 | 12 | 12 | 52 | 38 | 165 | 10F642EDMLS | 10F642EDMLSS | 420 |
| 14, 15, 16 | 5/8 | 3/4 | 1-14 | 30 | 32 | 12 | 12 | 54 | 38 | 185 | 10-12F642EDMLS | 10-12F642EDMLSS | 420 |
| 18, 20 | 3/4 | 3/4 | 1 3/16-12 | 36 | 32 | 14 | 14 | 57 | 41 | 266 | 12F642EDMLS | 12F642EDMLSS | 420 |
| 18, 20 | 3/4 | 1/2 | 1 3/16-12 | 36 | 30 | 14 | 12 | 55 | 41 | 220 | 12-8F642EDMLS | 12-8F642EDMLSS | 420 |
| 22, 25 | 1 | 1 | 1 7/16-12 | 41 | 41 | 20 | 20 | 67 | 49 | 414 | 16F642EDMLS | 16F642EDMLSS | 420 |
| 28, 30, 32 | 1 1/4 | 1 1/4 | 1 11/16-12 | 50 | 50 | 26 | 25 | 69 | 49 | 623 | 20F642EDMLS | 20F642EDMLSS | 350 |
| 35, 38 | 1 1/2 | 1 1/2 | 2-12 | 60 | 55 | 32 | 32 | 72 | 50 | 885 | 24F642EDMLS | 24F642EDMLSS | 280 |

O-Lok® is delivered with NBR elastomeric seals as standard. For more details on other seal materials see page J73–J74.

Part numbers shown are part of our current manufacturing programme.

Imperial and metric parts may vary in hexagon dimensions.

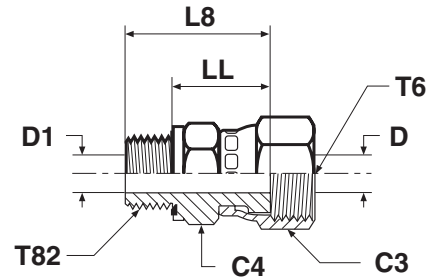
$$\frac{\text{PN (bar)}}{10} = \text{PN (MPa)}$$

Pressure ratings – PN shown, apply to Steel and Stainless Steel versions of the product.



F682EDMLO Swivel male stud

O-Lok® ORFS Swivel female end/Male metric thread – ED seal (ISO 9974)



| Tube O.D. | | Thread metric T82 | Thread UN/UNF-2B T6 | C3 mm | C4 mm | D mm | D1 mm | L8 mm | LL mm | Weight (steel) g/1 piece | O-Lok® Steel | O-Lok® Stainless Steel | PN (bar) |
|------------|-----------|-------------------|---------------------|-------|-------|------|-------|-------|-------|--------------------------|----------------|------------------------|----------|
| mm | in. | | | | | | | | | | | | |
| 6 | 1/4 | M12×1.5 | 9/16-18 | 17 | 17 | 4 | 4 | 39 | 27 | 56 | 4M12F682EDMLS | 4M12F682EDMLSS | 500 |
| 8, 10 | 5/16, 3/8 | M14×1.5 | 11/16-16 | 22 | 19 | 7 | 5 | 41 | 29 | 73 | 6M14F682EDMLS | 6M14F682EDMLSS | 630 |
| 8, 10 | 5/16, 3/8 | M16×1.5 | 11/16-16 | 24 | 22 | 7 | 7 | 41 | 29 | 85 | 6M16F682EDMLS | 6M16F682EDMLSS | 630 |
| 12 | 1/2 | M16×1.5 | 13/16-16 | 24 | 22 | 9 | 7 | 48 | 36 | 109 | 8M16F682EDMLS | 8M16F682EDMLSS | 630 |
| 14, 15, 16 | 5/8 | M22×1.5 | 1-14 | 30 | 27 | 12 | 12 | 53 | 39 | 165 | 10M22F682EDMLS | 10M22F682EDMLSS | 420 |
| 18, 20 | 3/4 | M27×2 | 1 3/16-12 | 36 | 32 | 14 | 14 | 58 | 42 | 282 | 12M27F682EDMLS | 12M27F682EDMLSS | 420 |
| 22, 25 | 1 | M33×2 | 1 7/16-12 | 41 | 41 | 20 | 20 | 68 | 50 | 467 | 16M33F682EDMLS | 16M33F682EDMLSS | 420 |
| 28, 30, 32 | 1 1/4 | M42×2 | 1 11/16-12 | 50 | 50 | 26 | 25 | 70 | 50 | 635 | 20M42F682EDMLS | 20M42F682EDMLSS | 350 |
| 35, 38 | 1 1/2 | M48×2 | 2-12 | 60 | 55 | 32 | 32 | 72 | 50 | 885 | 24M48F682EDMLS | 24M48F682EDMLSS | 280 |

O-Lok® is delivered with NBR elastomeric seals as standard. For more details on other seal materials see page J73–J74.

Part numbers shown are part of our current manufacturing programme.

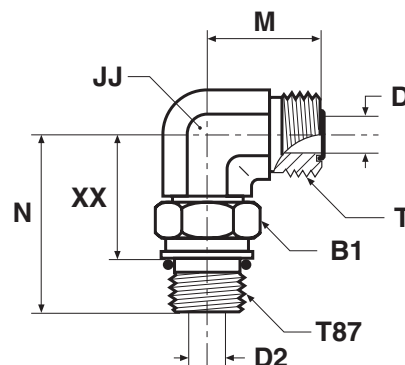
Imperial and metric parts may vary in hexagon dimensions.

$$\frac{\text{PN (bar)}}{10} = \text{PN (MPa)}$$

Pressure ratings – PN shown, apply to Steel and Stainless Steel versions of the product.

C87OMLO Male stud elbow

O-Lok® ORFS tube end/Male metric thread – O-ring (ISO 6149-2)
 SAE 52M0287 ISO 8434-3 SDE



| Tube O.D. | | Thread metric T87 | Thread UN/UNF-2B T | B1 mm | D mm | D2 mm | JJ mm | M mm | N mm | XX mm | Weight (steel) g/1 piece | O-Lok® Steel | O-Lok® Stainless Steel | PN (bar) |
|------------|-----------|-------------------|--------------------|-------|------|-------|-------|------|------|-------|--------------------------|---------------|------------------------|----------|
| mm | in. | | | | | | | | | | | | | |
| 6 | 1/4 | M10×1.0 | 9/16-18 | 14 | 5 | 3 | 14 | 22 | 31 | 21 | 50 | 4M10C87OMLOS | 4M10C87OMLOSS | 420 |
| 6 | 1/4 | M12×1.5 | 9/16-18 | 17 | 5 | 4 | 14 | 22 | 33 | 22 | 52 | 4M12C87OMLOS | 4M12C87OMLOSS | 420 |
| 6 | 1/4 | M14×1.5 | 9/16-18 | 19 | 5 | 6 | 14 | 24 | 36 | 25 | 55 | 4M14C87OMLOS | 4M14C87OMLOSS | 420 |
| 8, 10 | 5/16, 3/8 | M12×1.5 | 11/16-18 | 17 | 7 | 4 | 19 | 25 | 36 | 25 | 60 | 6M12C87OMLOS | 6M12C87OMLOSS | 420 |
| 8, 10 | 5/16, 3/8 | M14×1.5 | 11/16-18 | 19 | 7 | 6 | 19 | 25 | 36 | 25 | 60 | 6M14C87OMLOS | 6M14C87OMLOSS | 420 |
| 8, 10 | 5/16, 3/8 | M16×1.5 | 11/16-16 | 22 | 7 | 7 | 19 | 25 | 38 | 27 | 65 | 6M16C87OMLOS | 6M16C87OMLOSS | 420 |
| 12 | 1/2 | M14×1.5 | 13/16-16 | 19 | 10 | 6 | 19 | 28 | 36 | 25 | 150 | 8M14C87OMLOS | 8M14C87OMLOSS | 420 |
| 12 | 1/2 | M16×1.5 | 13/16-16 | 22 | 10 | 7 | 19 | 28 | 38 | 27 | 92 | 8M16C87OMLOS | 8M16C87OMLOSS | 420 |
| 12 | 1/2 | M18×1.5 | 13/16-16 | 24 | 10 | 9 | 19 | 28 | 41 | 27 | 161 | 8M18C87OMLOS | 8M18C87OMLOSS | 420 |
| 12 | 1/2 | M22×1.5 | 13/16-16 | 27 | 10 | 12 | 27 | 31 | 49 | 27 | 200 | 8M22C87OMLOS | 8M22C87OMLOSS | 420 |
| 14, 15, 16 | 5/8 | M18×1.5 | 1-14 | 24 | 13 | 9 | 27 | 33 | 48 | 27 | 190 | 10M18C87OMLOS | 10M18C87OMLOSS | 420 |
| 14, 15, 16 | 5/8 | M22×1.5 | 1-14 | 27 | 13 | 12 | 27 | 33 | 49 | 34 | 214 | 10M22C87OMLOS | 10M22C87OMLOSS | 420 |
| 18, 20 | 3/4 | M22×1.5 | 1 3/16-12 | 27 | 16 | 12 | 30 | 37 | 50 | 35 | 390 | 12M22C87OMLOS | 12M22C87OMLOSS | 420 |
| 18, 20 | 3/4 | M27×2 | 1 3/16-12 | 32 | 16 | 15 | 30 | 37 | 56 | 37 | 440 | 12M27C87OMLOS | 12M27C87OMLOSS | 420 |
| 22, 25 | 1 | M33×2 | 1 7/16-12 | 41 | 21 | 20 | 36 | 42 | 59 | 41 | 501 | 16M33C87OMLOS | 16M33C87OMLOSS | 420 |
| 28, 30, 32 | 1 1/4 | M33×2 | 1 11/16-12 | 41 | 26 | 20 | 41 | 45 | 62 | 42 | 530 | 20M33C87OMLOS | 20M33C87OMLOSS | 350 |
| 28, 30, 32 | 1 1/4 | M42×2 | 1 11/16-12 | 50 | 26 | 26 | 41 | 45 | 63 | 44 | 561 | 20M42C87OMLOS | 20M42C87OMLOSS | 280 |
| 35, 38 | 1 1/2 | M48×2 | 2-12 | 55 | 32 | 32 | 50 | 49 | 72 | 47 | 684 | 24M48C87OMLOS | 24M48C87OMLOSS | 280 |

O-Lok® is delivered with NBR elastomeric seals as standard. For more details on other seal materials see page J73–J74.

Part numbers shown are part of our current manufacturing programme.

Imperial and metric parts may vary in hexagon dimensions.

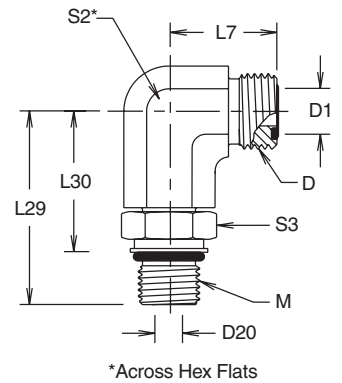
$$\frac{PN \text{ (bar)}}{10} = PN \text{ (MPa)}$$

Pressure ratings – PN shown, apply to Steel and Stainless Steel versions of the product.



CC87OMLO Extended male stud elbow

O-Lok® ORFS tube end/Male metric thread – O-ring (ISO 6149-2)
 SAE 52M1587 ISO 8434-3 SDEL



| mm | Tube O.D. | | Thread metric M | Thread UN/UNF-2A D | D1 mm | D20 mm | L7 mm | L29 mm | L30 mm | S2 mm | S3 mm | Weight (steel) g/1 piece | O-Lok® Steel | PN (bar) |
|------------|-----------|--|-----------------|--------------------|-------|--------|-------|--------|--------|-------|-------|--------------------------|-----------------------|----------|
| | in. | | | | | | | | | | | | | |
| 6 | 1/4 | | M12×1.5 | 9/16-18 | 5 | 4 | 21 | 56 | 24 | 14 | 17 | 44 | 4M12CC87OMLOS | 420 |
| 8, 10 | 5/16, 3/8 | | M14×1.5 | 11/16-16 | 7 | 6 | 25 | 56 | 21 | 17 | 19 | 51 | 6M14CC87OMLOS | 420 |
| 8, 10 | 5/16, 3/8 | | M16×1.5 | 11/16-16 | 7 | 7 | 25 | 67 | 30 | 17 | 22 | 51 | 6M16CC87OMLOS | 420 |
| 12 | 1/2 | | M18×1.5 | 13/16-16 | 10 | 9 | 28 | 75 | 34 | 19 | 24 | 150 | 8M18CC87OMLOS | 420 |
| 12 | 1/2 | | M22×1.5 | 13/16-16 | 10 | 12 | 31 | 88 | 39 | 27 | 27 | 150 | 8M22CC87OMLOS | 420 |
| 14, 15, 16 | 5/8 | | M22×1.5 | 1-14 | 13 | 12 | 34 | 88 | 39 | 27 | 27 | 160 | 10M22CC87OMLOS | 420 |
| 18, 20 | 3/4 | | M27×2 | 1 3/16-12 | 16 | 15 | 38 | 101 | 45 | 27 | 32 | 290 | 12M27CC87OMLOS | 420 |
| 22, 25 | 1 | | M33×2 | 1 7/16-12 | 21 | 20 | 42 | 115 | 55 | 36 | 41 | 480 | 16M33CC87OMLOS | 420 |
| 28, 30, 32 | 1 1/4 | | M42×2 | 1 11/16-12 | 26 | 26 | 45 | 127 | 64 | 41 | 50 | 630 | 20M42CC87OMLOS | 280 |

O-Lok® is delivered with NBR elastomeric seals as standard. For more details on other seal materials see page J73–J74.

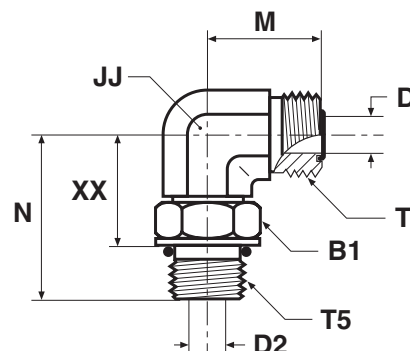
Part numbers shown are part of our current manufacturing programme.

Imperial and metric parts may vary in hexagon dimensions.

$$\frac{\text{PN (bar)}}{10} = \text{PN (MPa)}$$

C50MLO Male stud elbow

O-Lok® ORFS tube end/Male UN/UNF thread – O-ring (ISO 11926)
SAE 520220



| Tube O.D. | | Thread UN/UNF-2A T5 | Thread UN/UNF-2A T | B1 | D | D2 | JJ | M | N | XX | Weight (steel) | O-Lok® Steel | O-Lok® Stainless Steel | PN (bar) |
|------------|-----------|---------------------|--------------------|----|----|----|----|----|----|----|----------------|----------------------|------------------------|----------|
| mm | in. | | | mm | mm | mm | mm | mm | mm | mm | g/1 piece | | | |
| 6 | 1/4 | 7/16-20 | 9/16-18 | 16 | 5 | 5 | 14 | 22 | 33 | 22 | 53 | 4C50MLOS | 4C50MLOSS | 420 |
| 6 | 1/4 | 9/16-18 | 9/16-18 | 19 | 5 | 8 | 19 | 24 | 37 | 25 | 66 | 4-6C50MLOS | 4-6C50MLOSS | 420 |
| 6 | 1/4 | 3/4-16 | 9/16-18 | 24 | 5 | 10 | 19 | 25 | 41 | 27 | 67 | 4-8 C50LO-S | 4-8C50MLOSS | 420 |
| 8, 10 | 5/16, 3/8 | 9/16-18 | 11/16-16 | 19 | 7 | 8 | 19 | 25 | 37 | 25 | 68 | 6C50MLOS | 6C50MLOSS | 420 |
| 8, 10 | 5/16, 3/8 | 7/16-20 | 11/16-16 | 16 | 7 | 5 | 19 | 25 | 35 | 24 | 57 | 6-4 C50LO-S | 6-4C50MLOSS | 420 |
| 8, 10 | 5/16, 3/8 | 3/4-16 | 11/16-16 | 24 | 7 | 10 | 19 | 27 | 41 | 27 | 105 | 6-8C50MLOS | 6-8C50MLOSS | 420 |
| 8, 10 | 5/16, 3/8 | 7/8-14 | 11/16-16 | 27 | 7 | 12 | 22 | 29 | 50 | 34 | 196 | 6-10 C50LO-S | 6-10C50MLOSS | 420 |
| 8, 10 | 5/16, 3/8 | 1 1/16-12 | 11/16-16 | 36 | 7 | 16 | 27 | 33 | 55 | 37 | 250 | 6-12 C50LO-S | 6-12C50MLOSS | 420 |
| 12 | 1/2 | 3/4-16 | 13/16-16 | 24 | 10 | 10 | 19 | 28 | 41 | 27 | 164 | 8C50MLOS | 8C50MLOSS | 420 |
| 12 | 1/2 | 9/16-18 | 13/16-16 | 19 | 10 | 7 | 19 | 28 | 37 | 25 | 81 | 8-6 C50LO-S | 8-6C50MLOSS | 420 |
| 12 | 1/2 | 7/8-14 | 13/16-16 | 27 | 10 | 13 | 27 | 31 | 50 | 34 | 187 | 8-10C50MLOS | 8-10C50MLOSS | 420 |
| 12 | 1/2 | 1 1/16-12 | 13/16-16 | 36 | 10 | 15 | 30 | 36 | 55 | 37 | 201 | 8-12 C50LO-S | 8-12C50MLOSS | 420 |
| 14, 15, 16 | 5/8 | 7/8-14 | 1-14 | 27 | 13 | 13 | 27 | 33 | 50 | 34 | 214 | 10C50MLOS | 10C50MLOSS | 420 |
| 14, 15, 16 | 5/8 | 3/4-16 | 1-14 | 24 | 13 | 10 | 27 | 33 | 46 | 32 | 175 | 10-8 C50LO-S | 10-8C50MLOSS | 420 |
| 14, 15, 16 | 5/8 | 1 1/16-12 | 1-14 | 35 | 13 | 16 | 30 | 36 | 55 | 37 | 248 | 10-12 C50LO-S | 10-12C50MLOSS | 420 |
| 18, 20 | 3/4 | 1 1/16-12 | 1 3/16-12 | 36 | 16 | 16 | 30 | 37 | 55 | 37 | 442 | 12C50MLOS | 12C50MLOSS | 420 |
| 18, 20 | 3/4 | 3/4-16 | 1 3/16-12 | 24 | 16 | 10 | 30 | 37 | 47 | 33 | 325 | 12-8C50MLOS | 12-8C50MLOSS | 420 |
| 18, 20 | 3/4 | 7/8-14 | 1 3/16-12 | 27 | 16 | 13 | 30 | 37 | 51 | 35 | 296 | 12-10C50MLOS | 12-10C50MLOSS | 420 |
| 18, 20 | 3/4 | 1 5/16-12 | 1 3/16-12 | 41 | 16 | 22 | 36 | 41 | 60 | 41 | 346 | 12-16C50MLOS | 12-16C50MLOSS | 380 |
| 22, 25 | 1 | 1 5/16-12 | 1 7/16-12 | 41 | 21 | 21 | 37 | 42 | 60 | 41 | 502 | 16 C50LO-S | 16C50MLOSS | 380 |
| 22, 25 | 1 | 1 1/16-12 | 1 7/16-12 | 35 | 21 | 16 | 37 | 42 | 59 | 40 | 473 | 16-12 C50LO-S | 16-12C50MLOSS | 420 |
| 22, 25 | 1 | 1 5/8-12 | 1 7/16-12 | 48 | 21 | 26 | 41 | 45 | 62 | 44 | 580 | 16-20 C50LO-S | 16-20C50MLOSS | 280 |
| 28, 30, 32 | 1 1/4 | 1 5/8-12 | 1 11/16-12 | 48 | 26 | 26 | 41 | 45 | 62 | 44 | 563 | 20 C50LO-S | 20C50MLOSS | 280 |
| 28, 30, 32 | 1 1/4 | 1 5/16-12 | 1 11/16-12 | 41 | 26 | 22 | 41 | 45 | 62 | 43 | 563 | 20-16C50MLOS | 20-16C50MLOSS | 380 |
| 28, 30, 32 | 1 1/4 | 1 7/8-12 | 1 11/16-12 | 54 | 26 | 32 | 48 | 49 | 66 | 47 | 764 | 20-24 C50LO-S | 20-24C50MLOSS | 280 |
| 35, 38 | 1 1/2 | 1 7/8-12 | 2-12 | 54 | 32 | 32 | 48 | 49 | 66 | 47 | 689 | 24 C50LO-S | 24C50MLOSS | 280 |
| 35, 38 | 1 1/2 | 1 5/8-12 | 2-12 | 48 | 32 | 26 | 48 | 49 | 66 | 47 | 644 | 24-20 C50LO-S | 24-20C50MLOSS | 280 |
| 50 | 2 | 2 1/2-12 | 2 1/2-12 | 70 | 45 | 40 | 64 | 70 | 78 | 59 | 2200 | 32 C50LO-S | 32C50MLOSS | 170 |

O-Lok® is delivered with NBR elastomeric seals as standard. For more details on other seal materials see page J73–J74.

Part numbers shown are part of our current manufacturing programme.

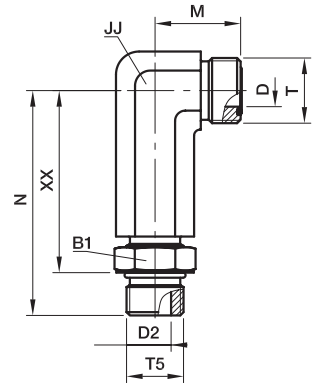
Imperial and metric parts may vary in hexagon dimensions.

$$\frac{\text{PN (bar)}}{10} = \text{PN (MPa)}$$

Pressure ratings – PN shown, apply to Steel and Stainless Steel versions of the product.

CC5OLO Extended male stud elbow

O-Lok® ORFS tube end/Male UN/UNF thread – O-ring (ISO 11926)
SAE 521520



| Tube O.D. mm | Tube O.D. in. | Thread UN/UNF-2A T5 | Thread UN/UNF-2A T | B1 mm | D mm | D2 mm | JJ mm | M mm | N mm | XX mm | Weight (steel) g/1 piece | O-Lok® Steel | PN (bar) |
|-----------------|------------------|---------------------------|--------------------------|----------|---------|----------|----------|---------|---------|----------|--------------------------------|--------------------|-------------|
| 6 | 1/4 | 7/16-20 | 9/16-18 | 16 | 5 | 5 | 14 | 22 | 57 | 46 | 44 | 4 CC5OLO-S | 420 |
| 8, 10 | 5/16, 3/8 | 9/16-18 | 11/16-16 | 19 | 7 | 7 | 19 | 25 | 66 | 54 | 51 | 6 CC5OLO-S | 420 |
| 12 | 1/2 | 3/4-16 | 13/16-16 | 24 | 10 | 10 | 19 | 28 | 75 | 61 | 146 | 8 CC5OLO-S | 420 |
| 14, 15, 16 | 5/8 | 7/8-14 | 1-14 | 27 | 13 | 13 | 27 | 33 | 90 | 73 | 159 | 10 CC5OLO-S | 420 |
| 18, 20 | 3/4 | 1 1/16-12 | 1 3/16-12 | 36 | 16 | 16 | 30 | 37 | 101 | 82 | 291 | 12 CC5OLO-S | 420 |
| 22, 25 | 1 | 1 5/16-12 | 1 7/16-12 | 41 | 21 | 21 | 36 | 42 | 115 | 96 | 481 | 16 CC5OLO-S | 380 |

O-Lok® is delivered with NBR elastomeric seals as standard. For more details on other seal materials see page J73–J74.

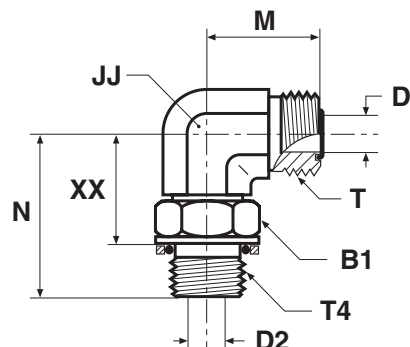
Part numbers shown are part of our current manufacturing programme.

Imperial and metric parts may vary in hexagon dimensions.

$$\frac{\text{PN (bar)}}{10} = \text{PN (MPa)}$$

C4OMLO Male stud elbow

O-Lok® ORFS tube end/Male BSPP thread O-ring + retaining ring (ISO 1179)



| Tube O.D. | | Thread BSPP T4 | Thread UN/UNF-2A T | B1 mm | D mm | D2 mm | JJ mm | M mm | N mm | XX mm | Weight (steel) g/1 piece | O-Lok® Steel | O-Lok® Stainless Steel | PN (bar) |
|------------|-----------|----------------|--------------------|-------|------|-------|-------|------|------|-------|--------------------------|---------------------|------------------------|----------|
| mm | in. | | | | | | | | | | | | | |
| 6 | 1/4 | 1/8 | 9/16-18 | 14 | 5 | 4 | 14 | 22 | 30 | 22 | 49 | 4C4OMLOS | 4C4OMLOSS | 250 |
| 6 | 1/4 | 1/4 | 9/16-18 | 19 | 5 | 8 | 19 | 24 | 26 | 25 | 93 | 4-4C4OMLOS | 4-4C4OMLOSS | 250 |
| 6 | 1/4 | 3/8 | 9/16-18 | 22 | 5 | 10 | 19 | 25 | 38 | 27 | 99 | 4-6C4OMLOS | 4-6C4OMLOSS | 250 |
| 8, 10 | 5/16, 3/8 | 1/4 | 11/16-16 | 19 | 7 | 8 | 19 | 25 | 36 | 25 | 97 | 6C4OMLOS | 6C4OMLOSS | 250 |
| 8, 10 | 5/16, 3/8 | 1/8 | 11/16-16 | 14 | 7 | 5 | 19 | 25 | 32 | 20 | 62 | 6-2C4OMLOS | 6-2C4OMLOSS | 250 |
| 8, 10 | 5/16, 3/8 | 3/8 | 11/16-16 | 22 | 7 | 10 | 19 | 27 | 38 | 27 | 106 | 6-6C4OMLOS | 6-6C4OMLOSS | 250 |
| 8, 10 | 5/16, 3/8 | 1/2 | 11/16-16 | 27 | 7 | 13 | 27 | 29 | 49 | 34 | 120 | 6-8C4OMLOS | 6-8C4OMLOSS | 250 |
| 12 | 1/2 | 3/8 | 13/16-16 | 22 | 10 | 10 | 19 | 28 | 38 | 27 | 108 | 8C4OMLOS | 8C4OMLOSS | 250 |
| 12 | 1/2 | 1/4 | 13/16-16 | 19 | 10 | 8 | 19 | 28 | 36 | 25 | 99 | 8-4C4OMLOS | 8-4C4OMLOSS | 250 |
| 12 | 1/2 | 1/2 | 13/16-16 | 27 | 10 | 12 | 27 | 31 | 49 | 34 | 239 | 8-8C4OMLOS | 8-8C4OMLOSS | 250 |
| 12 | 1/2 | 3/4 | 13/16-16 | 36 | 10 | 16 | 30 | 34 | 52 | 37 | 258 | 8-12C4OMLOS | 8-12C4OMLOSS | 250 |
| 14, 15, 16 | 5/8 | 1/2 | 1-14 | 27 | 13 | 12 | 27 | 33 | 49 | 34 | 274 | 10C4OMLOS | 10C4OMLOSS | 250 |
| 14, 15, 16 | 5/8 | 3/8 | 1-14 | 22 | 13 | 10 | 27 | 33 | 43 | 30 | 235 | 10-6C4OMLOS | 10-6C4OMLOSS | 250 |
| 14, 15, 16 | 5/8 | 3/4 | 1-14 | 36 | 13 | 16 | 30 | 36 | 52 | 37 | 352 | 10-12C4OMLOS | 10-12C4OMLOSS | 250 |
| 14, 15, 16 | 5/8 | 1 | 1-14 | 41 | 13 | 22 | 36 | 40 | 58 | 41 | 382 | 10-16C4OMLOS | 10-16C4OMLOSS | 250 |
| 18, 20 | 3/4 | 3/4 | 1 3/16-12 | 36 | 16 | 16 | 30 | 37 | 52 | 37 | 355 | 12C4OMLOS | 12C4OMLOSS | 250 |
| 18, 20 | 3/4 | 1/2 | 1 3/16-12 | 27 | 16 | 12 | 30 | 37 | 50 | 35 | 297 | 12-8C4OMLOS | 12-8C4OMLOSS | 250 |
| 18, 20 | 3/4 | 1 | 1 3/16-12 | 41 | 16 | 22 | 36 | 41 | 58 | 41 | 362 | 12-16C4OMLOS | 12-16C4OMLOSS | 250 |
| 22, 25 | 1 | 1 | 1 7/16-12 | 41 | 21 | 22 | 36 | 42 | 58 | 41 | 551 | 16C4OMLOS | 16C4OMLOSS | 250 |
| 22, 25 | 1 | 3/4 | 1 7/16-12 | 36 | 21 | 16 | 36 | 42 | 55 | 41 | 533 | 16-12C4OMLOS | 16-12C4OMLOSS | 250 |
| 22, 25 | 1 | 1 1/4 | 1 7/16-12 | 50 | 21 | 28 | 41 | 45 | 61 | 44 | 758 | 16-20C4OMLOS | 16-20C4OMLOSS | 210 |
| 28, 30, 32 | 1 1/4 | 1 1/4 | 1 11/16-12 | 50 | 26 | 28 | 41 | 45 | 61 | 44 | 752 | 20C4OMLOS | 20C4OMLOSS | 210 |
| 28, 30, 32 | 1 1/4 | 1 | 1 11/16-12 | 41 | 26 | 22 | 41 | 45 | 61 | 44 | 712 | 20-16C4OMLOS | 20-16C4OMLOSS | 250 |
| 28, 30, 32 | 1 1/4 | 1 1/2 | 1 11/16-12 | 55 | 26 | 33 | 50 | 49 | 65 | 47 | 821 | 20-24C4OMLOS | 20-24C4OMLOSS | 140 |
| 35, 38 | 1 1/2 | 1 1/2 | 2-12 | 55 | 32 | 33 | 50 | 49 | 65 | 47 | 953 | 24C4OMLOS | 24C4OMLOSS | 140 |

O-Lok® is delivered with NBR elastomeric seals as standard. For more details on other seal materials see page J73-J74.

Part numbers shown are part of our current manufacturing programme.

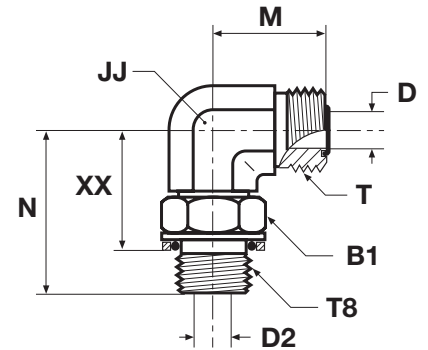
Imperial and metric parts may vary in hexagon dimensions.

$$\frac{\text{PN (bar)}}{10} = \text{PN (MPa)}$$

Pressure ratings – PN shown, apply to Steel and Stainless Steel versions of the product.

C8OMLO Male stud elbow

O-Lok® ORFS tube end/Male metric thread – O-ring + retaining ring



| Tube O.D. mm | Tube O.D. in. | Thread metric T8 | Thread UN/UNF-2A T | B1 mm | D mm | D2 mm | JJ mm | M mm | N mm | XX mm | Weight (steel) g/1 piece | O-Lok® Steel | PN (bar) |
|-----------------|------------------|---------------------|-----------------------|----------|---------|----------|----------|---------|---------|----------|--------------------------------|---------------------|-------------|
| 6 | 1/4 | M12×1.5 | 9/16-18 | 17 | 5 | 4 | 14 | 22 | 33 | 23 | 52 | 4M12C8OMLOS | 250 |
| 6 | 1/4 | M14×1.5 | 9/16-18 | 17 | 5 | 6 | 14 | 24 | 36 | 24 | 58 | 4M14C8OMLOS | 250 |
| 8, 10 | 5/16, 3/8 | M14×1.5 | 11/16-16 | 17 | 7 | 6 | 19 | 25 | 36 | 24 | 62 | 6M14C8OMLOS | 250 |
| 8, 10 | 5/16, 3/8 | M16×1.5 | 11/16-16 | 19 | 7 | 7 | 19 | 25 | 38 | 26 | 65 | 6M16C8OMLOS | 250 |
| 12 | 1/2 | M16×1.5 | 13/16-16 | 19 | 10 | 7 | 19 | 28 | 38 | 26 | 82 | 8M16C8OMLOS | 250 |
| 12 | 1/2 | M18×1.5 | 13/16-16 | 22 | 10 | 9 | 19 | 28 | 41 | 29 | 161 | 8M18C8OMLOS | 250 |
| 14, 15, 16 | 5/8 | M18×1.5 | 1-14 | 22 | 13 | 9 | 27 | 33 | 48 | 33 | 185 | 10M18C8OMLOS | 250 |
| 14, 15, 16 | 5/8 | M22×1.5 | 1-14 | 27 | 13 | 12 | 27 | 33 | 49 | 35 | 214 | 10M22C8OMLOS | 250 |
| 18, 20 | 3/4 | M27×2 | 1 3/16-12 | 32 | 16 | 15 | 30 | 37 | 56 | 39 | 440 | 12M27C8OMLOS | 250 |
| 22, 25 | 1 | M33×2 | 1 7/16-12 | 38 | 21 | 20 | 36 | 42 | 59 | 43 | 501 | 16M33C8OMLOS | 140 |
| 28, 30, 32 | 1 1/4 | M42×2 | 1 11/16-12 | 50 | 26 | 26 | 41 | 45 | 63 | 46 | 561 | 20M42C8OMLOS | 140 |
| 35, 38 | 1 1/2 | M48×2 | 2-12 | 55 | 32 | 32 | 50 | 49 | 72 | 49 | 684 | 24M48C8OMLOS | 140 |

O-Lok® is delivered with NBR elastomeric seals as standard. For more details on other seal materials see page J73–J74.

Part numbers shown are part of our current manufacturing programme.

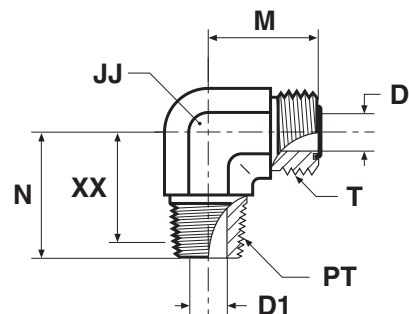
Imperial and metric parts may vary in hexagon dimensions.

$$\frac{\text{PN (bar)}}{10} = \text{PN (MPa)}$$

CLO Male stud elbow

O-Lok® ORFS tube end/Male NPTF* thread (SAE J476)

*Stainless Steel = NPT to prevent galling



| Tube O.D. | | Thread NPTF PT | Thread UN/UNF-2A T | D mm | D1 mm | JJ mm | M mm | N mm | XX mm | Weight (steel) g/1 piece | O-Lok® Steel | O-Lok® Stainless Steel | PN (bar) |
|------------|-----------|----------------|--------------------|------|-------|-------|------|------|-------|--------------------------|--------------|------------------------|----------|
| mm | in. | | | | | | | | | | | | |
| 6 | 1/4 | 1/8-27 | 9/16-18 | 5 | 5 | 14 | 22 | 20 | 15 | 39 | 4 CLO-S | 4 CLO-SS | 420 |
| 6 | 1/4 | 1/4-18 | 9/16-18 | 5 | 7 | 14 | 22 | 29 | 20 | 50 | 4-4 CLO-S | 4-4 CLO-SS | 420 |
| 8, 10 | 5/16, 3/8 | 1/4-16 | 11/16-16 | 7 | 7 | 19 | 25 | 28 | 19 | 75 | 6 CLO-S | 6 CLO-SS | 420 |
| 8, 10 | 5/16, 3/8 | 3/8-18 | 11/16-16 | 7 | 10 | 19 | 25 | 31 | 22 | 81 | 6-6 CLO-S | 6-6 CLO-SS | 420 |
| 8, 10 | 5/16, 3/8 | 1/2-14 | 11/16-16 | 7 | 13 | 22 | 29 | 37 | 26 | 84 | 6-8 CLO-S | 6-8 CLO-SS | 420 |
| 12 | 1/2 | 3/8-18 | 13/16-16 | 10 | 10 | 19 | 28 | 31 | 22 | 89 | 8 CLO-S | 8 CLO-SS | 420 |
| 12 | 1/2 | 1/2-14 | 13/16-16 | 10 | 13 | 22 | 28 | 37 | 26 | 125 | 8-8 CLO-S | 8-8 CLO-SS | 420 |
| 12 | 1/2 | 3/4-14 | 13/16-16 | 10 | 18 | 27 | 34 | 40 | 28 | 168 | 8-12 CLO-S | 8-12 CLO-SS | 280 |
| 14, 15, 16 | 5/8 | 1/2-14 | 1-14 | 13 | 13 | 27 | 33 | 37 | 26 | 154 | 10 CLO-S | 10 CLO-SS | 420 |
| 14, 15, 16 | 5/8 | 3/4-14 | 1-14 | 13 | 18 | 30 | 36 | 40 | 28 | 237 | 10-12 CLO-S | 10-12 CLO-SS | 280 |
| 18, 20 | 3/4 | 3/4-14 | 1 3/16-12 | 16 | 18 | 30 | 37 | 40 | 28 | 246 | 12 CLO-S | 12 CLO-SS | 280 |
| 18, 20 | 3/4 | 1/2-14 | 1 3/16-12 | 16 | 13 | 30 | 37 | 40 | 29 | 257 | 12-8 CLO-S | 12-8 CLO-SS | 420 |
| 18, 20 | 3/4 | 1-11 1/2 | 1 3/16-12 | 16 | 24 | 33 | 41 | 50 | 36 | 363 | 12-16 CLO-S | 12-16 CLO-SS | 210 |
| 22, 25 | 1 | 1-11 1/2 | 1 7/16-12 | 21 | 24 | 37 | 42 | 50 | 36 | 387 | 16 CLO-S | 16 CLO-SS | 210 |
| 22, 25 | 1 | 3/4-14 | 1 7/16-12 | 21 | 18 | 37 | 42 | 45 | 33 | 401 | 16-12 CLO-S | 16-12 CLO-SS | 280 |
| 28, 30, 32 | 1 1/4 | 1 1/4-11 1/2 | 1 11/16-12 | 26 | 32 | 41 | 45 | 61 | 46 | 469 | 20 CLO-S | 20 CLO-SS | 175 |
| 35, 38 | 1 1/2 | 1 1/2-11 1/2 | 2-12 | 32 | 38 | 48 | 49 | 67 | 52 | 603 | 24 CLO-S | 24 CLO-SS | 175 |

O-Lok® is delivered with NBR elastomeric seals as standard. For more details on other seal materials see page J73-J74.

Part numbers shown are part of our current manufacturing programme.

Imperial and metric parts may vary in hexagon dimensions.

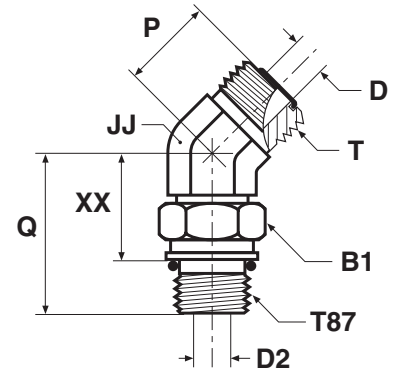
$$\frac{\text{PN (bar)}}{10} = \text{PN (MPa)}$$

Pressure ratings – PN shown, apply to Steel and Stainless Steel versions of the product.



V87OMLO 45° male stud elbow

O-Lok® ORFS tube end/Male metric thread – O-ring (ISO 6149-2)
 SAE 52M0387 ISO 8434-3 SDE45



| Tube O.D. | | Thread metric T87 | Thread UN/UNF-2A T | B1 mm | D mm | D2 mm | JJ mm | P mm | Q mm | XX mm | Weight (steel) g/1 piece | O-Lok® Steel | O-Lok® Stainless Steel | PN (bar) |
|------------|-----------|-------------------|--------------------|-------|------|-------|-------|------|------|-------|--------------------------|----------------------|------------------------|----------|
| mm | in. | | | | | | | | | | | | | |
| 6 | 1/4 | M12×1.5 | 9/16-18 | 17 | 5 | 4 | 14 | 16 | 30 | 19 | 44 | 4M12V87OMLOS | 4M12V87OMLOSS | 420 |
| 8, 10 | 5/16, 3/8 | M16×1.5 | 11/16-16 | 22 | 7 | 7 | 19 | 19 | 33 | 19 | 82 | 6M16V87OMLOS | 6M16V87OMLOSS | 420 |
| 12 | 1/2 | M18×1.5 | 13/16-16 | 24 | 10 | 9 | 19 | 20 | 37 | 23 | 110 | 8M18V87OMLOS | 8M18V87OMLOSS | 420 |
| 14, 15, 16 | 5/8 | M22×1.5 | 1-14 | 27 | 13 | 12 | 27 | 23 | 43 | 29 | 190 | 10M22V87OMLOS | 10M22V87OMLOSS | 420 |
| 18, 20 | 3/4 | M27×2 | 1 3/16-12 | 32 | 16 | 15 | 30 | 26 | 50 | 32 | 288 | 12M27V87OMLOS | 12M27V87OMLOSS | 420 |
| 22, 25 | 1 | M33×2 | 1 7/16-12 | 41 | 21 | 20 | 36 | 30 | 52 | 34 | 300 | 16M33V87OMLOS | 16M33V87OMLOSS | 420 |
| 28, 30, 32 | 1 1/4 | M42×2 | 1 11/16-12 | 50 | 26 | 26 | 41 | 32 | 54 | 35 | 444 | 20M42V87OMLOS | 20M42V87OMLOSS | 280 |
| 35, 38 | 1 1/2 | M48×2 | 2-12 | 55 | 32 | 32 | 50 | 37 | 56 | 35 | 569 | 24M48V87OMLOS | | 280 |

O-Lok® is delivered with NBR elastomeric seals as standard. For more details on other seal materials see page J73–J74.

Part numbers shown are part of our current manufacturing programme.

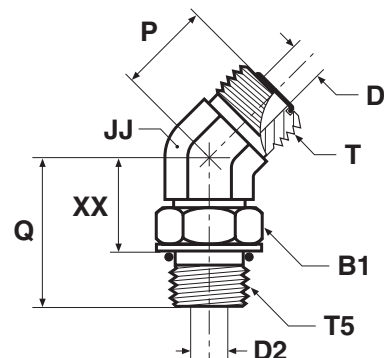
Imperial and metric parts may vary in hexagon dimensions.

$$\frac{\text{PN (bar)}}{10} = \text{PN (MPa)}$$

Pressure ratings – PN shown, apply to Steel and Stainless Steel versions of the product.

V5OMLO 45° male stud elbow

O-Lok® ORFS tube end/Adjustable UN/UNF thread O-ring (ISO 11926)
SAE 520320



| Tube O.D. | | Thread UN/UNF-2A T5 | Thread UN/UNF-2A T | B1 | D | D2 | JJ | P | Q | XX | Weight (steel) g/1 piece | O-Lok® Steel | O-Lok® Stainless Steel | PN (bar) |
|------------|-----------|---------------------|--------------------|----|----|----|----|----|----|----|--------------------------|----------------------|------------------------|----------|
| mm | in. | | | mm | mm | mm | mm | mm | mm | mm | | | | |
| 6 | 1/4 | 7/16-20 | 9/16-18 | 16 | 5 | 5 | 14 | 16 | 30 | 19 | 45 | 4V5OMLOS | 4V5OMLOSS | 630 |
| 6 | 1/4 | 9/16-18 | 9/16-18 | 19 | 5 | 8 | 19 | 17 | 33 | 21 | 76 | 4-6V5OMLOS | 4-6V5OMLOSS | 630 |
| 8, 10 | 5/16, 3/8 | 9/16-18 | 11/16-16 | 19 | 7 | 8 | 19 | 19 | 33 | 21 | 83 | 6V5OMLOS | 6V5OMLOSS | 630 |
| 8, 10 | 5/16, 3/8 | 7/16-20 | 11/16-16 | 16 | 7 | 5 | 19 | 19 | 31 | 20 | 64 | 6-4V5OMLOS | 6-4V5OMLOSS | 630 |
| 8, 10 | 5/16, 3/8 | 3/4-16 | 11/16-16 | 24 | 7 | 10 | 19 | 19 | 36 | 23 | 96 | 6-8V5OMLOS | 6-8V5OMLOSS | 630 |
| 12 | 1/2 | 3/4-16 | 13/16-16 | 24 | 10 | 10 | 19 | 20 | 36 | 23 | 117 | 8V5OMLOS | 8V5OMLOSS | 630 |
| 12 | 1/2 | 9/16-18 | 13/16-16 | 19 | 10 | 7 | 19 | 20 | 32 | 20 | 71 | 8-6 V5OLO-S | 8-6V5OMLOSS | 630 |
| 12 | 1/2 | 7/8-14 | 13/16-16 | 27 | 10 | 13 | 27 | 21 | 45 | 29 | 147 | 8-10V5OMLOS | 8-10V5OMLOSS | 420 |
| 14, 15, 16 | 5/8 | 7/8-14 | 1-14 | 27 | 13 | 13 | 27 | 23 | 45 | 29 | 194 | 10V5OMLOS | 10V5OMLOSS | 420 |
| 14, 15, 16 | 5/8 | 3/4-16 | 1-14 | 24 | 12 | 10 | 27 | 23 | 40 | 27 | 192 | 10-8 V5OLO-S | 10-8V5OMLOSS | 420 |
| 14, 15, 16 | 5/8 | 1 1/16-12 | 1-14 | 36 | 12 | 16 | 30 | 24 | 50 | 32 | 207 | 10-12 V5OLO-S | 10-12V5OMLOSS | 420 |
| 18, 20 | 3/4 | 1 1/16-12 | 1 3/16-12 | 35 | 16 | 16 | 30 | 26 | 50 | 32 | 294 | 12 V5OLO-S | 12V5OMLOSS | 420 |
| 18, 20 | 3/4 | 7/8-14 | 1 3/16-12 | 27 | 16 | 12 | 30 | 26 | 46 | 30 | 219 | 12-10 V5OLO-S | 12-10V5OMLOSS | 420 |
| 18, 20 | 3/4 | 1 5/16-12 | 1 3/16-12 | 41 | 16 | 21 | 37 | 30 | 52 | 34 | 322 | 12-16 V5OLO-S | 12-16V5OMLOSS | 420 |
| 22, 25 | 1 | 1 5/16-12 | 1 7/16-12 | 41 | 21 | 21 | 37 | 30 | 52 | 34 | 394 | 16 V5OLO-S | 16V5OMLOSS | 420 |
| 22, 25 | 1 | 1 1/16-12 | 1 7/16-12 | 36 | 21 | 16 | 36 | 30 | 52 | 33 | 337 | 16-12V5OMLOS | 16-12V5OMLOSS | 420 |
| 22, 25 | 1 | 1 5/8-12 | 1 7/16-12 | 48 | 21 | 31 | 41 | 32 | 54 | 35 | 511 | 16-20 V5OLO-S | 16-20V5OMLOSS | 420 |
| 28, 30, 32 | 1 1/4 | 1 5/8-12 | 1 11/16-12 | 48 | 26 | 26 | 41 | 32 | 54 | 35 | 447 | 20 V5OLO-S | 20V5OMLOSS | 350 |
| 35, 38 | 1 1/2 | 1 7/8-12 | 2-12 | 54 | 32 | 32 | 48 | 37 | 54 | 35 | 571 | 24 V5OLO-S | 24V5OMLOSS | 280 |

O-Lok® is delivered with NBR elastomeric seals as standard. For more details on other seal materials see page J73-J74.

Part numbers shown are part of our current manufacturing programme.

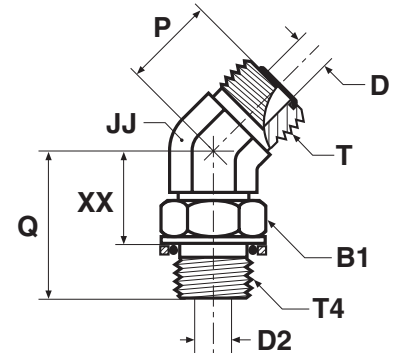
Imperial and metric parts may vary in hexagon dimensions.

$$\frac{\text{PN (bar)}}{10} = \text{PN (MPa)}$$

Pressure ratings – PN shown, apply to Steel and Stainless Steel versions of the product.

V4OMLO 45° male stud elbow

O-Lok® ORFS tube end/Adjustable BSPP thread O-ring + retaining ring (ISO 1179)



| Tube O.D. | | Thread BSPP T4 | Thread UN/UNF-2A T | B1 mm | D mm | D2 mm | JJ mm | P mm | Q mm | XX mm | Weight (steel) g/1 piece | O-Lok® Steel | O-Lok® Stainless Steel | PN (bar) |
|------------|-----------|----------------|--------------------|-------|------|-------|-------|------|------|-------|--------------------------|---------------------|------------------------|----------|
| mm | in. | | | | | | | | | | | | | |
| 6 | 1/4 | 1/8 | 9/16-18 | 14 | 5 | 4 | 14 | 16 | 28 | 19 | 38 | 4V4OMLOS | 4V4OMLOSS | 250 |
| 6 | 1/4 | 1/4 | 9/16-18 | 19 | 5 | 8 | 19 | 17 | 33 | 21 | 43 | 4-4V4OMLOS | 4-4V4OMLOSS | 250 |
| 8, 10 | 5/16, 3/8 | 1/4 | 11/16-16 | 19 | 7 | 8 | 19 | 19 | 32 | 21 | 83 | 6V4OMLOS | 6V4OMLOSS | 250 |
| 8, 10 | 5/16, 3/8 | 3/8 | 11/16-16 | 22 | 7 | 10 | 19 | 19 | 34 | 23 | 95 | 6-6V4OMLOS | 6-6V4OMLOSS | 250 |
| 8, 10 | 5/16, 3/8 | 1/2 | 11/16-16 | 27 | 7 | 12 | 27 | 19 | 43 | 28 | 107 | 6-8V4OMLOS | 6-8V4OMLOSS | 250 |
| 12 | 1/2 | 3/8 | 13/16-16 | 22 | 10 | 10 | 19 | 20 | 34 | 23 | 117 | 8V4OMLOS | 8V4OMLOSS | 250 |
| 14, 15, 16 | 5/8 | 1/2 | 1-14 | 27 | 13 | 12 | 27 | 23 | 43 | 29 | 191 | 10V4OMLOS | 10V4OMLOSS | 250 |
| 14, 15, 16 | 5/8 | 3/4 | 1-14 | 36 | 13 | 16 | 30 | 24 | 46 | 31 | 227 | 10-12V4OMLOS | 10-12V4OMLOSS | 250 |
| 18, 20 | 3/4 | 3/4 | 1 3/16-12 | 36 | 16 | 16 | 30 | 26 | 46 | 31 | 294 | 12V4OMLOS | 12V4OMLOSS | 250 |
| 18, 20 | 3/4 | 1 | 1 3/16-12 | 41 | 16 | 22 | 36 | 30 | 51 | 34 | 325 | 12-16V4OMLOS | 12-16V4OMLOSS | 250 |
| 22, 25 | 1 | 1 | 1 7/16-12 | 41 | 21 | 22 | 36 | 30 | 51 | 34 | 394 | 16V4OMLOS | 16V4OMLOSS | 250 |
| 28, 30, 32 | 1 1/4 | 1 1/4 | 1 11/16-12 | 50 | 26 | 28 | 41 | 32 | 52 | 35 | 430 | 20V4OMLOS | 20V4OMLOSS | 210 |
| 35, 38 | 1 1/2 | 1 1/2 | 2-12 | 55 | 32 | 33 | 50 | 37 | 52 | 35 | 551 | 24V4OMLOS | 24V4OMLOSS | 140 |

O-Lok® is delivered with NBR elastomeric seals as standard. For more details on other seal materials see page J73-J74.

Part numbers shown are part of our current manufacturing programme.

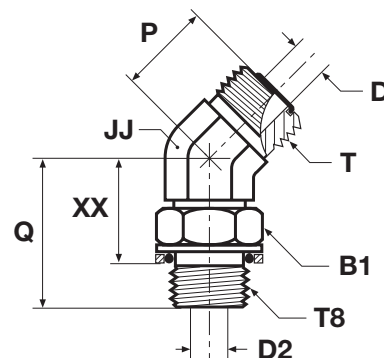
Imperial and metric parts may vary in hexagon dimensions.

$$\frac{\text{PN (bar)}}{10} = \text{PN (MPa)}$$

Pressure ratings – PN shown, apply to Steel and Stainless Steel versions of the product.

V8OMLO 45° male stud elbow

O-Lok®ORFS tube end/Male metric thread – O-ring + retaining ring



| mm | Tube O.D. in. | Thread metric T8 | Thread UN/UNF-2A T | B1 mm | D mm | D2 mm | JJ mm | P mm | Q mm | XX mm | Weight (steel) g/1 piece | O-Lok® Steel | PN (bar) |
|------------|---------------|------------------|--------------------|-------|------|-------|-------|------|------|-------|--------------------------|--------------|----------|
| 6 | 1/4 | M12×1.5 | 9/16-18 | 17 | 5 | 4 | 14 | 16 | 30 | 20 | 44 | 4M12V8OMLOS | 250 |
| 10 | 3/8 | M16×1.5 | 11/16-16 | 19 | 7 | 7 | 19 | 19 | 33 | 22 | 82 | 6M16V8OMLOS | 250 |
| 12 | 1/2 | M14×1.5 | 13/16-16 | 17 | 10 | 6 | 19 | 20 | 31 | 20 | 92 | 8M14V8OMLOS | 250 |
| 12 | 1/2 | M18×1.5 | 13/16-16 | 22 | 10 | 9 | 19 | 20 | 37 | 25 | 110 | 8M18V8OMLOS | 250 |
| 14, 15, 16 | 5/8 | M18×1.5 | 1-14 | 27 | 13 | 9 | 27 | 24 | 34 | 27 | 160 | 10M18V8OMLOS | 250 |
| 14, 15, 16 | 5/8 | M22×1.5 | 1-14 | 27 | 13 | 12 | 27 | 23 | 43 | 30 | 190 | 10M22V8OMLOS | 250 |
| 18, 20 | 3/4 | M27×2 | 1 3/16-12 | 32 | 16 | 15 | 30 | 26 | 50 | 34 | 288 | 12M27V8OMLOS | 250 |
| 22, 25 | 1 | M33×2 | 1 7/16-12 | 38 | 21 | 20 | 36 | 30 | 52 | 36 | 300 | 16M33V8OMLOS | 140 |
| 28, 30, 32 | 1 1/4 | M42×2 | 1 11/16-12 | 50 | 26 | 26 | 41 | 32 | 54 | 37 | 444 | 20M42V8OMLOS | 140 |
| 35, 38 | 1 1/2 | M48×2 | 2-12 | 55 | 32 | 32 | 50 | 37 | 56 | 37 | 568 | 24M48V8OMLOS | 140 |

O-Lok® is delivered with NBR elastomeric seals as standard. For more details on other seal materials see page J73–J74.

Part numbers shown are part of our current manufacturing programme.

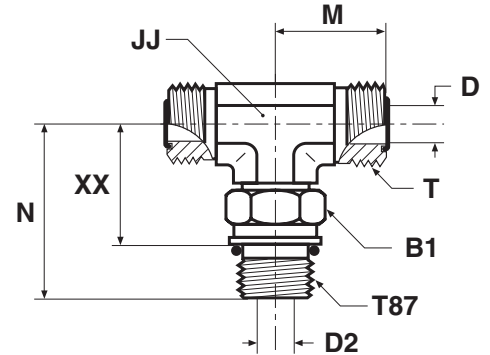
Imperial and metric parts may vary in hexagon dimensions.

$$\frac{\text{PN (bar)}}{10} = \text{PN (MPa)}$$

J

S87OMLO Male stud branch tee

O-Lok® ORFS tube ends/Adjustable metric thread – O-ring (ISO 6149)
 SAE 52M0489 ISO 8434-3 SDBT



| Tube O.D. mm | Tube O.D. in. | Thread metric T87 | Thread UN/UNF-2A T | B1 mm | D mm | D2 mm | JJ mm | M mm | N mm | XX mm | Weight (steel) g/1 piece | O-Lok® Steel | O-Lok® Stainless Steel | PN (bar) |
|-----------------|------------------|----------------------|-----------------------|----------|---------|----------|----------|---------|---------|----------|--------------------------------|----------------------|---------------------------|-------------|
| 6 | 1/4 | M12×1.5 | 9/16-18 | 17 | 5 | 4 | 14 | 22 | 33 | 22 | 66 | 4M12S87OMLOS | 4M12S87OMLOSS | 420 |
| 8, 10 | 5/16, 3/8 | M16×1.5 | 11/16-16 | 22 | 7 | 7 | 19 | 25 | 37 | 27 | 131 | 6M16S87OMLOS | 6M16S87OMLOSS | 420 |
| 12 | 1/2 | M18×1.5 | 13/16-16 | 24 | 10 | 9 | 19 | 28 | 41 | 27 | 187 | 8M18S87OMLOS | 8M18S87OMLOSS | 420 |
| 14, 15, 16 | 5/8 | M22×1.5 | 1-14 | 27 | 13 | 12 | 27 | 33 | 49 | 34 | 283 | 10M22S87OMLOS | 10M22S87OMLOSS | 420 |
| 18, 20 | 3/4 | M27×2 | 1 3/16-12 | 32 | 16 | 15 | 30 | 37 | 55 | 37 | 549 | 12M27S87OMLOS | 12M27S87OMLOSS | 420 |
| 22, 25 | 1 | M33×2 | 1 7/16-12 | 41 | 21 | 20 | 36 | 42 | 59 | 41 | 565 | 16M33S87OMLOS | 16M33S87OMLOSS | 420 |
| 28, 30, 32 | 1 1/4 | M42×2 | 1 11/16-12 | 50 | 26 | 26 | 41 | 45 | 62 | 44 | 824 | 20M42S87OMLOS | 20M42S87OMLOSS | 280 |
| 35, 38 | 1 1/2 | M48×2 | 2-12 | 55 | 32 | 32 | 48 | 49 | 69 | 48 | 940 | 24M48S87OMLOS | 24M48S87OMLOSS | 280 |

O-Lok® is delivered with NBR elastomeric seals as standard. For more details on other seal materials see page J73–J74.

Part numbers shown are part of our current manufacturing programme.

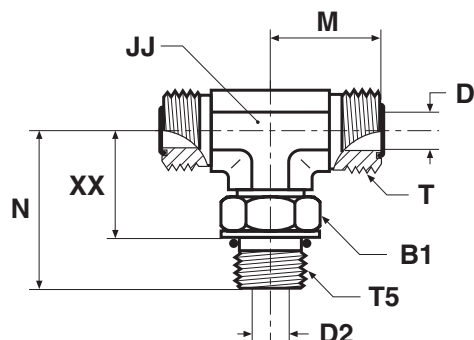
Imperial and metric parts may vary in hexagon dimensions.

$$\frac{\text{PN (bar)}}{10} = \text{PN (MPa)}$$

Pressure ratings – PN shown, apply to Steel and Stainless Steel versions of the product.

S50MLO Male stud branch tee

O-Lok® ORFS tube end/Adjustable UN/UNF thread O-ring (ISO 11926)
SAE 520429



| Tube O.D. | | Thread UN/UNF-2A T5 | Thread UN/UNF-2A T | B1 mm | D mm | D2 mm | JJ mm | M mm | N mm | XX mm | Weight (steel) g/1 piece | O-Lok® Steel | O-Lok® Stainless Steel | PN (bar) |
|------------|-----------|---------------------|--------------------|-------|------|-------|-------|------|------|-------|--------------------------|-------------------------|--------------------------|----------|
| mm | in. | | | | | | | | | | | | | |
| 6 | 1/4 | 7/16-20 | 9/16-18 | 16 | 5 | 5 | 14 | 22 | 33 | 22 | 67 | 4S50MLOS | 4 S50LO-SS | 420 |
| 8, 10 | 5/16, 3/8 | 9/16-18 | 11/16-16 | 19 | 7 | 8 | 19 | 25 | 37 | 25 | 131 | 6S50MLOS | 6 S50LO-SS | 420 |
| 8, 10 | 5/16, 3/8 | 3/4-16 | 11/16-16 | 24 | 10 | 10 | 19 | 26 | 41 | 27 | 160 | 6-6-8 S50LO-S | 6-6-8 S50LO-SS | 420 |
| 12 | 1/2 | 3/4-16 | 13/16-16 | 24 | 10 | 10 | 19 | 28 | 41 | 27 | 187 | 8 S50LO-S | 8 S50LO-SS | 420 |
| 14, 15, 16 | 5/8 | 7/8-14 | 1-14 | 27 | 13 | 12 | 27 | 33 | 50 | 34 | 279 | 10 S50LO-S | 10 S50LO-SS | 420 |
| 18, 20 | 3/4 | 1 1/16-12 | 1 3/16-12 | 36 | 16 | 16 | 30 | 37 | 55 | 37 | 441 | 12 S50LO-S | 12 S50LO-SS | 420 |
| 18, 20 | 3/4 | 1 5/16-12 | 1 3/16-12 | 42 | 18 | 21 | 37 | 42 | 60 | 41 | 500 | 12-12-16 S50LO-S | 12-12-16 S50LO-SS | 380 |
| 22, 25 | 1 | 1 5/16-12 | 1 7/16-12 | 41 | 21 | 21 | 37 | 42 | 60 | 41 | 539 | 16 S50LO-S | 16 S50LO-SS | 380 |
| 28, 30, 32 | 1 1/4 | 1 5/8-12 | 1 11/16-12 | 48 | 26 | 26 | 41 | 45 | 62 | 44 | 851 | 20 S50LO-S | | 280 |
| 35, 38 | 1 1/2 | 1 7/8-12 | 2-12 | 54 | 32 | 32 | 48 | 49 | 66 | 47 | 942 | 24 S50LO-S | | 280 |

O-Lok® is delivered with NBR elastomeric seals as standard. For more details on other seal materials see page J73–J74.

Part numbers shown are part of our current manufacturing programme.

Imperial and metric parts may vary in hexagon dimensions.

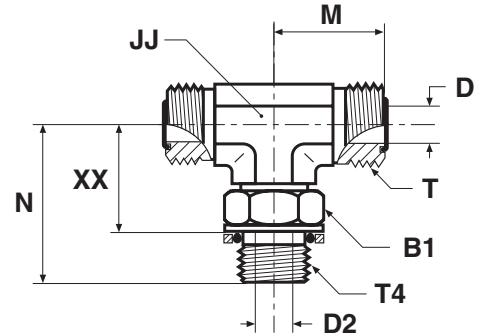
$$\frac{\text{PN (bar)}}{10} = \text{PN (MPa)}$$

Pressure ratings – PN shown, apply to Steel and Stainless Steel versions of the product.



S4OMLO Male stud branch tee

O-Lok® ORFS tube end/Adjustable BSPB thread O-ring + retaining ring (ISO 1179)



| Tube O.D. | | Thread BSPB T4 | Thread UN/UNF-2A T | B1 mm | D mm | D2 mm | JJ mm | M mm | N mm | XX mm | Weight (steel) g/1 piece | O-Lok® Steel | O-Lok® Stainless Steel | PN (bar) |
|------------|-----------|----------------|--------------------|-------|------|-------|-------|------|------|-------|--------------------------|------------------------|-------------------------|----------|
| mm | in. | | | | | | | | | | | | | |
| 6 | 1/4 | 1/8 | 9/16-18 | 14 | 5 | 4 | 14 | 22 | 30 | 22 | 69 | 4S4OMLOS | 4S4OMLOSS | 250 |
| 6 | 1/4 | 1/4 | 9/16-18 | 19 | 5 | 8 | 19 | 24 | 36 | 25 | 97 | 4-4-4S4OMLOS | 4-4-4S4OMLOSS | 250 |
| 8, 10 | 5/16, 3/8 | 1/4 | 11/16-16 | 19 | 7 | 8 | 19 | 25 | 36 | 25 | 127 | 6S4OMLOS | 6S4OMLOSS | 250 |
| 8, 10 | 5/16, 3/8 | 3/8 | 11/16-16 | 22 | 7 | 10 | 19 | 27 | 38 | 27 | 126 | 6-6-6S4OMLOS | 6-6-6S4OMLOSS | 250 |
| 12 | 1/2 | 3/8 | 13/16-16 | 22 | 10 | 10 | 19 | 28 | 38 | 27 | 146 | 8S4OMLOS | 8S4OMLOSS | 250 |
| 12 | 1/2 | 1/2 | 13/16-16 | 27 | 10 | 12 | 27 | 31 | 49 | 34 | 174 | 8-8-8S4OMLOS | 8-8-8S4OMLOSS | 250 |
| 14, 15, 16 | 5/8 | 1/2 | 1-14 | 27 | 13 | 12 | 27 | 33 | 49 | 34 | 288 | 10S4OMLOS | 10S4OMLOSS | 250 |
| 14, 15, 16 | 5/8 | 3/4 | 1-14 | 36 | 13 | 16 | 30 | 36 | 52 | 37 | 314 | 10-10-12S4OMLOS | 10-10-12S4OMLOSS | 250 |
| 18, 20 | 3/4 | 3/4 | 1 3/16-12 | 36 | 16 | 16 | 30 | 37 | 52 | 37 | 531 | 12S4OMLOS | 12S4OMLOSS | 250 |
| 22, 25 | 1 | 1 | 1 7/16-12 | 41 | 21 | 22 | 36 | 42 | 58 | 41 | 600 | 16S4OMLOS | 16S4OMLOSS | 250 |
| 28, 30, 32 | 1 1/4 | 1 1/4 | 1 11/16-12 | 50 | 26 | 28 | 41 | 45 | 61 | 44 | 850 | 20S4OMLOS | 20S4OMLOSS | 210 |
| 35, 38 | 1 1/2 | 1 1/2 | 2-12 | 55 | 32 | 33 | 50 | 49 | 65 | 47 | 940 | 24S4OMLOS | | 140 |

O-Lok® is delivered with NBR elastomeric seals as standard. For more details on other seal materials see page J73-J74.

Part numbers shown are part of our current manufacturing programme.

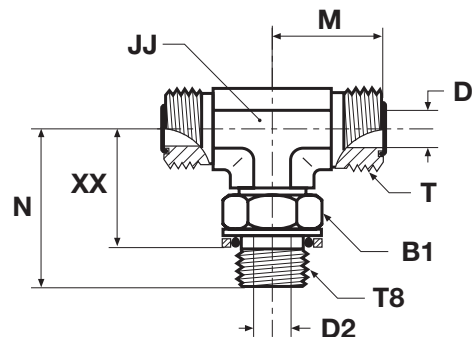
Imperial and metric parts may vary in hexagon dimensions.

$$\frac{\text{PN (bar)}}{10} = \text{PN (MPa)}$$

Pressure ratings – PN shown, apply to Steel and Stainless Steel versions of the product.

S8OMLO Male stud branch tee

O-Lok® ORFS tube end/Adjustable metric thread – O-ring + retaining ring



| Tube O.D. mm | Tube O.D. in. | Thread metric T8 | Thread UN/UNF-2A T | B1 mm | D mm | D2 mm | JJ mm | M mm | N mm | XX mm | Weight (steel) g/1 piece | O-Lok® Steel | PN (bar) |
|--------------------|---------------------|------------------------|--------------------------|----------|---------|----------|----------|---------|---------|----------|--------------------------------|---------------------|-------------|
| 6 | 1/4 | M12×1.5 | 9/16-18 | 17 | 5 | 4 | 14 | 22 | 33 | 23 | 66 | 4M12S8OMLOS | 250 |
| 8, 10 | 5/16, 3/8 | M16×1.5 | 11/16-16 | 19 | 7 | 7 | 19 | 25 | 37 | 26 | 131 | 6M16S8OMLOS | 250 |
| 12 | 1/2 | M18×1.5 | 13/16-16 | 22 | 10 | 9 | 19 | 28 | 41 | 29 | 187 | 8M18S8OMLOS | 250 |
| 14, 15, 16 | 5/8 | M22×1.5 | 1-14 | 27 | 13 | 12 | 27 | 33 | 49 | 35 | 283 | 10M22S8OMLOS | 250 |
| 18, 20 | 3/4 | M27×2 | 1 3/16-12 | 32 | 16 | 15 | 30 | 37 | 55 | 39 | 550 | 12M27S8OMLOS | 250 |
| 22, 25 | 1 | M33×2 | 1 7/16-12 | 38 | 21 | 20 | 36 | 42 | 59 | 43 | 566 | 16M33S8OMLOS | 140 |
| 28, 30, 32 | 1 1/4 | M42×2 | 1 11/16-12 | 50 | 26 | 26 | 41 | 45 | 62 | 46 | 824 | 20M42S8OMLOS | 140 |
| 35, 38 | 1 1/2 | M48×2 | 2-12 | 55 | 32 | 32 | 48 | 49 | 69 | 49 | 940 | 24M48S8OMLOS | 140 |

O-Lok® is delivered with NBR elastomeric seals as standard. For more details on other seal materials see page J73–J74.

Part numbers shown are part of our current manufacturing programme.

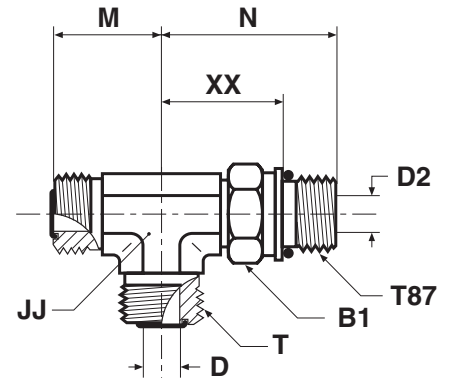
Imperial and metric parts may vary in hexagon dimensions.

$$\frac{\text{PN (bar)}}{10} = \text{PN (MPa)}$$

J

R87OMLO Male stud run tee

O-Lok® ORFS tube ends/Adjustable metric thread – O-ring (ISO 6149)
 SAE 52M0488 ISO 8434-3 SDRT



| Tube O.D. mm | Tube O.D. in. | Thread metric T87 | Thread UN/UNF-2A T | B1 mm | D mm | D2 mm | JJ mm | M mm | N mm | XX mm | Weight (steel) g/1 piece | O-Lok® Steel | O-Lok® Stainless Steel | PN (bar) |
|-----------------|------------------|----------------------|-----------------------|----------|---------|----------|----------|---------|---------|----------|--------------------------------|----------------------|---------------------------|-------------|
| 6 | 1/4 | M12×1.5 | 9/16-18 | 17 | 5 | 4 | 14 | 22 | 33 | 22 | 66 | 4M12R87OMLOS | 4M12R87OMLOSS | 420 |
| 8, 10 | 5/16, 3/8 | M16×1.5 | 11/16-16 | 22 | 7 | 7 | 19 | 25 | 38 | 27 | 131 | 6M16R87OMLOS | 6M16R87OMLOSS | 420 |
| 12 | 1/2 | M18×1.5 | 13/16-16 | 24 | 10 | 9 | 19 | 28 | 41 | 27 | 187 | 8M18R87OMLOS | 8M18R87OMLOSS | 420 |
| 14, 15, 16 | 5/8 | M22×1.5 | 1-14 | 27 | 13 | 12 | 27 | 33 | 49 | 34 | 283 | 10M22R87OMLOS | 10M22R87OMLOSS | 420 |
| 18, 20 | 3/4 | M27×2 | 1 3/16-12 | 32 | 16 | 15 | 30 | 37 | 55 | 37 | 549 | 12M27R87OMLOS | 12M27R87OMLOSS | 420 |
| 22, 25 | 1 | M33×2 | 1 7/16-12 | 41 | 21 | 20 | 36 | 42 | 59 | 41 | 565 | 16M33R87OMLOS | 16M33R87OMLOSS | 420 |
| 28, 30, 32 | 1 1/4 | M42×2 | 1 11/16-12 | 50 | 26 | 26 | 41 | 45 | 63 | 44 | 824 | 20M42R87OMLOS | 20M42R87OMLOSS | 280 |
| 35, 38 | 1 1/2 | M48×2 | 2-12 | 55 | 32 | 32 | 48 | 49 | 69 | 47 | 940 | 24M48R87OMLOS | | 280 |

O-Lok® is delivered with NBR elastomeric seals as standard. For more details on other seal materials see page J73–J74.

Part numbers shown are part of our current manufacturing programme.

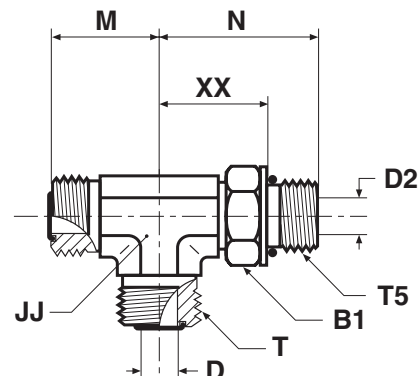
Imperial and metric parts may vary in hexagon dimensions.

$$\frac{\text{PN (bar)}}{10} = \text{PN (MPa)}$$

Pressure ratings – PN shown, apply to Steel and Stainless Steel versions of the product.

R5OMLO Male stud run tee

O-Lok® ORFS tube end/Adjustable UN/UNF thread O-ring (ISO 11926)
SAE 520428



| Tube O.D. | | Thread UN/UNF-2A T5 | Thread UN/UNF-2A T | B1 mm | D mm | D2 mm | JJ mm | M mm | N mm | XX mm | Weight (steel) g/1 piece | O-Lok® Steel | O-Lok® Stainless Steel | PN (bar) |
|------------|-----------|---------------------|--------------------|-------|------|-------|-------|------|------|-------|--------------------------|-------------------------|--------------------------|----------|
| mm | in. | | | | | | | | | | | O-Lok® Steel | O-Lok® Stainless Steel | |
| 6 | 1/4 | 7/16-20 | 9/16-18 | 16 | 5 | 5 | 14 | 22 | 33 | 22 | 67 | 4 R5OLO-S | 4 R5OLO-SS | 420 |
| 8, 10 | 5/16, 3/8 | 9/16-18 | 11/16-16 | 19 | 7 | 8 | 19 | 25 | 37 | 25 | 131 | 6R5OMLOS | 6 R5OLO-SS | 420 |
| 12 | 1/2 | 3/4-16 | 13/16-16 | 24 | 10 | 10 | 19 | 28 | 41 | 27 | 187 | 8 R5OLO-S | 8 R5OLO-SS | 420 |
| 14, 15, 16 | 5/8 | 7/8-14 | 1-14 | 27 | 13 | 13 | 27 | 33 | 50 | 34 | 288 | 10 R5OLO-S | 10 R5OLO-SS | 420 |
| 18, 20 | 3/4 | 1 1/16-12 | 1 3/16-12 | 35 | 16 | 16 | 30 | 37 | 55 | 37 | 558 | 12 R5OLO-S | 12 R5OLO-SS | 420 |
| 18, 20 | 3/4 | 1 5/16-12 | 1 3/16-12 | 41 | 16 | 21 | 36 | 41 | 60 | 41 | 560 | 12-16-12 R5OLO-S | 12-16-12 R5OLO-SS | 380 |
| 22, 25 | 1 | 1 5/16-12 | 1 7/16-12 | 41 | 21 | 21 | 36 | 42 | 60 | 41 | 566 | 16R5OMLOS | 16 R5OLO-SS | 380 |
| 28, 30, 32 | 1 1/4 | 1 5/8-12 | 1 11/16-12 | 48 | 26 | 26 | 41 | 45 | 62 | 44 | 825 | 20 R5OLO-S | 20 R5OLO-SS | 280 |
| 35, 38 | 1 1/2 | 1 7/8-12 | 2-12 | 54 | 32 | 32 | 48 | 49 | 66 | 47 | 942 | 24 R5OLO-S | 24 R5OLO-SS | 280 |

O-Lok® is delivered with NBR elastomeric seals as standard. For more details on other seal materials see page J73-J74.

Part numbers shown are part of our current manufacturing programme.

Imperial and metric parts may vary in hexagon dimensions.

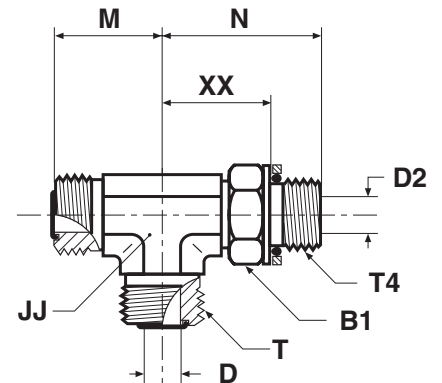
$$\frac{\text{PN (bar)}}{10} = \text{PN (MPa)}$$

Pressure ratings – PN shown, apply to Steel and Stainless Steel versions of the product.



R4OMLO Male stud run tee

O-Lok® ORFS tube ends/Adjustable BSP thread O-ring + retaining ring (ISO 1179)



| Tube O.D. | | Thread BSP T4 | Thread UN/UNF-2A T | B1 mm | D mm | D2 mm | JJ mm | M mm | N mm | XX mm | Weight (steel) g/1 piece | O-Lok® Steel | O-Lok® Stainless Steel | PN (bar) |
|------------|-----------|---------------------|--------------------------|----------|---------|----------|----------|---------|---------|----------|--------------------------------|------------------------|---------------------------|-------------|
| mm | in. | | | | | | | | | | | | | |
| 6 | 1/4 | 1/8 | 9/16-18 | 14 | 5 | 4 | 14 | 22 | 30 | 22 | 69 | 4R4OMLOS | 4R4OMLOSS | 250 |
| 6 | 1/4 | 1/4 | 9/16-18 | 19 | 5 | 8 | 19 | 24 | 36 | 25 | 97 | 4-4-4R4OMLOS | 4-4-4R4OMLOSS | 250 |
| 8, 10 | 5/16, 3/8 | 1/4 | 11/16-16 | 19 | 7 | 8 | 19 | 25 | 36 | 25 | 127 | 6R4OMLOS | 6R4OMLOSS | 250 |
| 8, 10 | 5/16, 3/8 | 3/8 | 11/16-16 | 22 | 7 | 10 | 19 | 27 | 38 | 27 | 126 | 6-6-6R4OMLOS | 6-6-6R4OMLOSS | 250 |
| 12 | 1/2 | 3/8 | 13/16-16 | 22 | 10 | 10 | 19 | 28 | 38 | 27 | 146 | 8R4OMLOS | 8R4OMLOSS | 250 |
| 12 | 1/2 | 1/2 | 13/16-16 | 27 | 10 | 12 | 27 | 31 | 49 | 34 | 174 | 8-8-8R4OMLOS | 8-8-8R4OMLOSS | 250 |
| 14, 15, 16 | 5/8 | 1/2 | 1-14 | 27 | 13 | 12 | 27 | 33 | 49 | 34 | 288 | 10R4OMLOS | 10R4OMLOSS | 250 |
| 16 | | 3/4 | 1-14 | 36 | 13 | 16 | 30 | 36 | 52 | 37 | 314 | 10-12-10R4OMLOS | 10-12-10R4OMLOSS | 250 |
| 18, 20 | 3/4 | 3/4 | 1 3/16-12 | 36 | 16 | 16 | 30 | 37 | 52 | 37 | 531 | 12R4OMLOS | 12R4OMLOSS | 250 |
| 18, 20 | 3/4 | 1 | 1 3/16-12 | 41 | 16 | 22 | 36 | 41 | 58 | 41 | 559 | 12-16-12R4OMLOS | 12-16-12R4OMLOSS | 250 |
| 22, 25 | 1 | 1 | 1 7/16-12 | 41 | 21 | 22 | 36 | 42 | 58 | 41 | 553 | 16R4OMLOS | 16R4OMLOSS | 250 |
| 28, 30, 32 | 1 1/4 | 1 1/4 | 1 11/16-12 | 50 | 26 | 28 | 41 | 45 | 61 | 44 | 824 | 20R4OMLOS | 20R4OMLOSS | 210 |
| 35, 38 | 1 1/2 | 1 1/2 | 2-12 | 55 | 32 | 32 | 50 | 49 | 65 | 47 | 940 | 24R4OMLOS | | 140 |

O-Lok® is delivered with NBR elastomeric seals as standard. For more details on other seal materials see page J73-J74.

Part numbers shown are part of our current manufacturing programme.

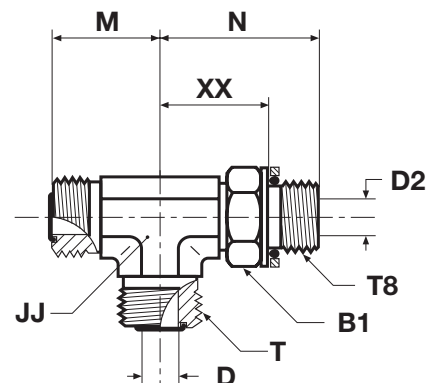
Imperial and metric parts may vary in hexagon dimensions.

$$\frac{\text{PN (bar)}}{10} = \text{PN (MPa)}$$

Pressure ratings – PN shown, apply to Steel and Stainless Steel versions of the product.

R8OMLO Male stud run tee

O-Lok® ORFS tube end/Adjustable metric thread – O-ring + retaining ring



| Tube O.D. mm | Tube O.D. in. | Thread metric T8 | Thread UN/UNF-2A T | B1 mm | D mm | D2 mm | JJ mm | M mm | N mm | XX mm | Weight (steel) g/1 piece | O-Lok® Steel | PN (bar) |
|-----------------|------------------|---------------------|-----------------------|----------|---------|----------|----------|---------|---------|----------|--------------------------------|---------------------|-------------|
| 6 | 1/4 | M12×1.5 | 9/16-18 | 17 | 5 | 4 | 14 | 22 | 33 | 23 | 66 | 4M12R8OMLOS | 250 |
| 8, 10 | 5/16, 3/8 | M16×1.5 | 11/16-16 | 19 | 7 | 7 | 19 | 25 | 38 | 26 | 131 | 6M16R8OMLOS | 250 |
| 12 | 1/2 | M18×1.5 | 13/16-16 | 22 | 10 | 9 | 19 | 28 | 41 | 29 | 187 | 8M18R8OMLOS | 250 |
| 14, 15, 16 | 5/8 | M22×1.5 | 1-14 | 27 | 13 | 12 | 27 | 33 | 49 | 35 | 283 | 10M22R8OMLOS | 250 |
| 18, 20 | 3/4 | M27×2 | 1 3/16-12 | 32 | 16 | 15 | 30 | 37 | 55 | 39 | 550 | 12M27R8OMLOS | 250 |
| 22, 25 | 1 | M33×2 | 1 7/16-12 | 38 | 21 | 20 | 36 | 42 | 59 | 43 | 566 | 16M33R8OMLOS | 140 |
| 28, 30, 32 | 1 1/4 | M42×2 | 1 11/16-12 | 50 | 26 | 26 | 41 | 45 | 63 | 46 | 824 | 20M42R8OMLOS | 140 |
| 35, 38 | 1 1/2 | M48×2 | 2-12 | 55 | 32 | 32 | 48 | 49 | 69 | 49 | 940 | 24M48R8OMLOS | 140 |

O-Lok® is delivered with NBR elastomeric seals as standard. For more details on other seal materials see page J73–J74.

Part numbers shown are part of our current manufacturing programme.

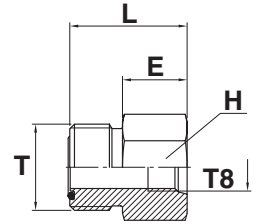
Imperial and metric parts may vary in hexagon dimensions.

$$\frac{\text{PN (bar)}}{10} = \text{PN (MPa)}$$



G87MLO Pressure gauge fitting

O-Lok® ORFS tube end/Female metric thread – O-ring (ISO 6149-1)



| Tube O.D. | | Thread metric T8 | Thread UN/UNF-2A T | E mm | H mm | L mm | Weight (steel) g/1 piece | O-Lok® Steel | O-Lok® Stainless Steel | PN (bar) |
|------------|-----------|------------------|--------------------|------|------|------|--------------------------|---------------------|------------------------|----------|
| mm | in. | | | | | | | | | |
| 6 | 1/4 | M14×1.5 | 9/16-18 | 19 | 19 | 29 | 20 | 4M14G87MLOS | 4M14G87MLOSS | 630 |
| 8, 10 | 5/16, 3/8 | M14×1.5 | 11/16-18 | 19 | 19 | 30 | 44 | 6M14G87MLOS | 6M14G87MLOSS | 630 |
| 12 | 1/2 | M14×1.5 | 13/16-16 | 19 | 22 | 32 | 66 | 8M14G87MLOS | 8M14G87MLOSS | 630 |
| 14, 15, 16 | 5/8 | M14×1.5 | 1-14 | 19 | 27 | 35 | 82 | 10M14G87MLOS | 10M14G87MLOSS | 420 |
| 18, 20 | 3/4 | M14×1.5 | 1 3/16-12 | 19 | 32 | 36 | 104 | 12M14G87MLOS | 12M14G87MLOSS | 420 |

O-Lok® is delivered with NBR elastomeric seals as standard. For more details on other seal materials see page J73–J74.

Part numbers shown are part of our current manufacturing programme.

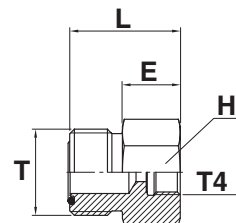
Imperial and metric parts may vary in hexagon dimensions.

$$\frac{\text{PN (bar)}}{10} = \text{PN (MPa)}$$

Pressure ratings – PN shown, apply to Steel and Stainless Steel versions of the product.

G4MLOSMO Pressure gauge connector

O-Lok® ORFS tube end/Female BSPP gauge thread (ISO 1179-1)



| mm | Tube O.D. | | Thread BSPP T4 | Thread UN/UNF-2A T | E mm | H mm | L mm | Weight (steel) g/1 piece | O-Lok® Steel | O-Lok® Stainless Steel | PN (bar) |
|-------|-----------|-----|----------------|--------------------|------|------|------|--------------------------|--------------------|------------------------|----------|
| | mm | in. | | | | | | | | | |
| 6 | 1/4 | 1/4 | 1/4 | 9/16-18 | 19 | 17 | 27 | 32 | 4-4G4MLOSMO | 4-4G4MLOSSMO | 400 |
| 6 | 1/4 | 1/2 | 1/2 | 9/16-18 | 27 | 30 | 37 | 80 | 4-8G4MLOSMO | 4-8G4MLOSSMO | 400 |
| 8, 10 | 5/16, 3/8 | 1/4 | 1/4 | 11/16-16 | 17 | 19 | 28 | 49 | 6G4MLOSMO | 6G4MLOSSMO | 400 |
| 8, 10 | 5/16, 3/8 | 1/2 | 1/2 | 11/16-16 | 27 | 30 | 38 | 107 | 6-8G4MLOSMO | 6-8G4MLOSSMO | 400 |
| 12 | 1/2 | 1/4 | 1/4 | 13/16-16 | 17 | 22 | 30 | 60 | 8-4G4MLOSMO | 8-4G4MLOSSMO | 280 |
| 12 | 1/2 | 1/2 | 1/2 | 13/16-16 | 27 | 30 | 40 | 80 | 8-8G4MLOSMO | 8-8G4MLOSSMO | 280 |

O-Lok® is delivered with NBR elastomeric seals as standard. For more details on other seal materials see page J73–J74.

Part numbers shown are part of our current manufacturing programme.

Imperial and metric parts may vary in hexagon dimensions.

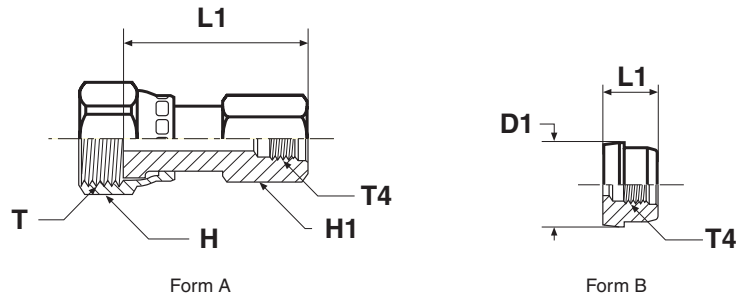
$$\frac{\text{PN (bar)}}{10} = \text{PN (MPa)}$$

Pressure ratings – PN shown, apply to Steel and Stainless Steel versions of the product.

J

TT4ML Test point connection

O-Lok® ORFS swivel female end/Female BSPP thread (ISO 1179-1)
for EMA3 test point



Form B has to be assembled with a nut BMLS/BLS.

| Thread UN/UNF-2B T | Thread BSPP T4 | D1 mm | H mm | H1 mm | L1 mm | Weight (steel) g/1 piece | Form | O-Lok® Steel | O-Lok® Stainless Steel | PN (bar) |
|--------------------------|----------------------|----------|---------|----------|----------|--------------------------------|------|-----------------|---------------------------|-------------|
| 9/16-16 | 1/4 | — | 17 | 19 | 38 | 60 | A | 4TT4MLS | 4TT4MLSS | 420 |
| 11/16-16 | 1/4 | — | 22 | 19 | 41 | 74 | A | 6TT4MLS | 6TT4MLSS | 420 |
| 13/16-16 | 1/4 | — | 24 | 19 | 43 | 91 | A | 8TT4MLS | 8TT4MLSS | 420 |
| — | 1/4 | 23 | — | — | 18 | 30 | B | 10TT4LS | 10TT4MLSS | 420 |
| — | 1/4 | 28 | — | — | 18 | 48 | B | 12TT4LS | 12TT4MLSS | 420 |
| — | 1/4 | 34 | — | — | 18 | 95 | B | 16TT4LS | 16TT4MLSS | 420 |
| — | 1/4 | 41 | — | — | 18 | 130 | B | 20TT4LS | 20TT4MLSS | 280 |
| — | 1/4 | 49 | — | — | 18 | 189 | B | 24TT4LS | 24TT4MLSS | 280 |

Part numbers shown are part of our current manufacturing programme.

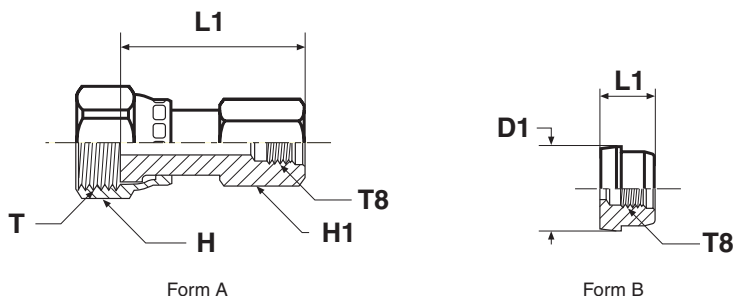
Imperial and metric parts may vary in hexagon dimensions.

$$\frac{\text{PN (bar)}}{10} = \text{PN (MPa)}$$

Pressure ratings – PN shown, apply to Steel and Stainless Steel versions of the product.

TT8ML Test point connection

O-Lok® ORFS female swivel end / Metric female thread
 (Metric female thread designed for use with EMA3 connections only)



Form B has to be assembled with a nut BMLS/BLS.

| Thread UN/UNF-2B T | Thread metric T8 | D1 mm | H mm | H1 mm | L1 mm | Weight (steel) g/1 piece | Form | O-Lok® Steel | O-Lok® Stainless Steel | PN (bar) |
|--------------------|------------------|-------|------|-------|-------|--------------------------|------|----------------|------------------------|----------|
| 9/16-16 | M10×1 | — | 17 | 19 | 37 | 86 | A | 4TT8MLS | 4TT8MLSS | 420 |
| 11/16-16 | M10×1 | — | 22 | 19 | 39 | 86 | A | 6TT8MLS | 6TT8MLSS | 420 |
| 13/16-16 | M10×1 | — | 24 | 19 | 43 | 123 | A | 8TT8MLS | 8TT8MLSS | 420 |
| — | M10×1 | 23 | — | — | 16 | 40 | B | 10TT8LS | 10TT8MLSS | 420 |
| — | M10×1 | 28 | — | — | 16 | 60 | B | 12TT8LS | 12TT8MLSS | 420 |
| — | M10×1 | 34 | — | — | 16 | 85 | B | 16TT8LS | 16TT8MLSS | 420 |
| — | M10×1 | 41 | — | — | 16 | 133 | B | 20TT8LS | 20TT8MLSS | 280 |
| — | M10×1 | 48 | — | — | 16 | 193 | B | 24TT8LS | 24TT8MLSS | 280 |

Part numbers shown are part of our current manufacturing programme.

Imperial and metric parts may vary in hexagon dimensions.

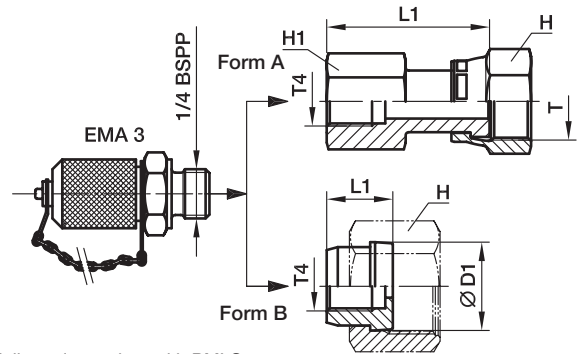
$$\frac{PN \text{ (bar)}}{10} = PN \text{ (MPa)}$$

Pressure ratings – PN shown, apply to Steel and Stainless Steel versions of the product.



TTP4ML Test point connection

O-Lok® ORFS female swivel end/EMA3 test point



Form B versions delivered complete with BMLS nut.

| Thread UN/UNF-2B T | Thread BSPP T4 | D1 mm | H mm | H1 mm | L1 mm | Weight (steel) g/1 piece | Form | O-Lok® Steel | PN (bar) |
|--------------------------|----------------------|----------|---------|----------|----------|--------------------------------|------|-----------------|-------------|
| 9/16-16 | 1/4 | — | 17 | 19 | 38 | 150 | A | 4TTP4MLS | 420 |
| 11/16-16 | 1/4 | — | 22 | 19 | 41 | 164 | A | 6TTP4MLS | 420 |
| 13/16-16 | 1/4 | — | 24 | 19 | 43 | 181 | A | 8TTP4MLS | 420 |
| — | 1/4 | 23 | 30 | — | 18 | 120 | B | 10TTP4LS | 420 |
| — | 1/4 | 28 | 36 | — | 18 | 138 | B | 12TTP4LS | 420 |
| — | 1/4 | 34 | 41 | — | 18 | 185 | B | 16TTP4LS | 420 |
| — | 1/4 | 41 | 50 | — | 18 | 200 | B | 20TTP4LS | 280 |
| — | 1/4 | 49 | 60 | — | 18 | 279 | B | 24TTP4LS | 280 |

O-Lok® is delivered with NBR elastomeric seals as standard. For more details on other seal materials see page J73–J74.

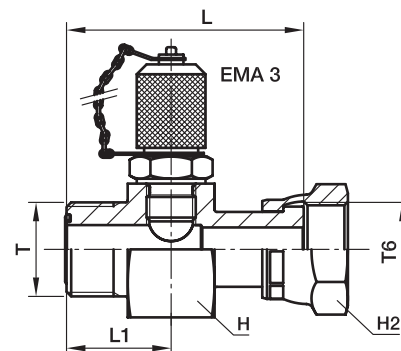
Part numbers shown are part of our current manufacturing programme.

Imperial and metric parts may vary in hexagon dimensions.

$$\frac{\text{PN (bar)}}{10} = \text{PN (MPa)}$$

R6P4MLO Test point connection

O-Lok® ORFS end/O-Lok® ORFS female swivel end/EMA3 test point



| Tube O.D. mm | Tube O.D. in. | Thread UN/UNF-2A T | Thread UN/UNF-2B T6 | L mm | L1 mm | H mm | H2 mm | Weight (steel) g/1 piece | O-Lok® Steel | PN (bar) |
|-----------------|------------------|--------------------------|---------------------------|---------|----------|---------|----------|--------------------------------|---------------------|-------------|
| 6 | 1/4 | 9/16-18 | 9/16-18 | 50 | 22 | 36 | 17 | 270 | 4-4R6P4MLOS | 420 |
| 8, 10 | 5/16, 3/8 | 11/16-16 | 11/16-16 | 53 | 23 | 36 | 22 | 300 | 6-4R6P4MLOS | 420 |
| 12 | 1/2 | 13/16-16 | 13/16-16 | 58 | 25 | 36 | 24 | 308 | 8-4R6P4MLOS | 420 |
| 14, 15, 16 | 5/8 | 1-14 | 1-14 | 64 | 27 | 36 | 30 | 337 | 10-4R6P4MLOS | 420 |
| 18, 20 | 3/4 | 1 3/16-12 | 1 3/16-12 | 68 | 29 | 41 | 36 | 416 | 12-4R6P4MLOS | 420 |
| 25 | 1 | 1 7/16-12 | 1 7/16-12 | 71 | 29 | 46 | 41 | 506 | 16-4R6P4MLOS | 420 |
| 28, 30, 32 | 1 1/4 | 1 11/16-12 | 1 11/16-12 | 73 | 29 | 50 | 50 | 691 | 20-4R6P4MLOS | 280 |
| 35, 38 | 1 1/2 | 2-12 | 2-12 | 74 | 29 | 60 | 60 | 995 | 24-4R6P4MLOS | 280 |

O-Lok® is delivered with NBR elastomeric seals as standard. For more details on other seal materials see page J73-J74.

Part numbers shown are part of our current manufacturing programme.

Imperial and metric parts may vary in hexagon dimensions.

$$\frac{\text{PN (bar)}}{10} = \text{PN (MPa)}$$

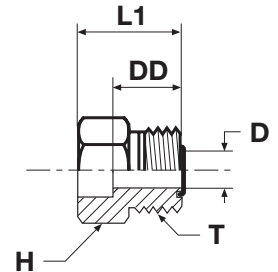


LOHB3* Braze connector

O-Lok® ORFS tube end/Braze socket

SAE 520104 / SAE 52M0104 ISO 8434-3 BRS

(*Parts delivered oil dipped finish only – steel)



| Tube O.D. | Thread UN/UNF-2A T | D mm | DD mm | H in. | H mm | L1 mm | Weight (steel) g/1 piece | O-Lok® | | PN (bar) |
|--------------|--------------------------|---------|----------|----------|---------|----------|--------------------------------|----------------------|-----------------------|-------------|
| | | | | | | | | Steel | Stainless Steel | |
| 6 | 9/16-18 | 05 | 14 | — | 17 | 22 | 023 | 4-6MMLOHB3S | | 420 |
| | 9/16-18 | 5 | 13 | 5/8 | — | 22 | 24 | 4 LOHB3-S | 4 LOHB3-SS | 420 |
| | 9/16-18 | 5 | 13 | 5/8 | — | 22 | 23 | 4-6 LOHB3-S | 4-6 LOHB3-SS | 420 |
| | 11/16-16 | 7 | 14 | 3/4 | — | 23 | 36 | 6 LOHB3-S | 6 LOHB3-SS | 420 |
| | 11/16-16 | 7 | 14 | 3/4 | — | 23 | 42 | 6-4 LOHB3-S | 6-4 LOHB3-SS | 420 |
| | 11/16-16 | 7 | 14 | 3/4 | — | 23 | 36 | 6-8 LOHB3-S | 6-8 LOHB3-SS | 420 |
| | 11/16-16 | 7 | 15 | — | — | 19 | 23 | 6-10 LOHB3-S | 6-10 LOHB3-SS | 420 |
| 12 | 13/16-16 | 10 | 16 | — | 22 | 25 | 42 | 8-12MMLOHB3S | | 420 |
| | 13/16-16 | 10 | 16 | 7/8 | — | 25 | 44 | 8 LOHB3-S | 8 LOHB3-SS | 420 |
| | 13/16-16 | 10 | 16 | 7/8 | — | 25 | 58 | 8-4 LOHB3-S | 8-4 LOHB3-SS | 420 |
| | 13/16-16 | 10 | 16 | 7/8 | — | 25 | 43 | 8-6 LOHB3-S | 8-6 LOHB3-SS | 420 |
| | 13/16-16 | 10 | 16 | 7/8 | — | 25 | 42 | 8-10 LOHB3-S | 8-10 LOHB3-SS | 420 |
| | 13/16-16 | 10 | 17 | 1 1/16 | — | 30 | 74 | 8-12 LOHB3-S | 8-12 LOHB3-SS | 420 |
| 16 | 1-14 | 13 | 19 | — | 27 | 27 | 101 | 10-16MMLOHB3S | | 420 |
| | 1-14 | 13 | 19 | 1 1/16 | — | 27 | 104 | 10 LOHB3-S | 10 LOHB3-SS | 420 |
| | 1-14 | 13 | 19 | 1 1/16 | — | 27 | 99 | 10-6 LOHB3-S | 10-6 LOHB3-SS | 420 |
| | 1-14 | 13 | 19 | 1 1/16 | — | 27 | 96 | 10-8 LOHB3-S | 10-8 LOHB3-SS | 420 |
| | 1-14 | 13 | 19 | 1 1/16 | — | 31 | 97 | 10-12 LOHB3-S | 10-12 LOHB3-SS | 420 |
| 20 | 1 3/16-12 | 16 | 21 | — | 32 | 34 | 144 | 12-20MMLOHB3S | | 420 |
| | 1 3/16-12 | 16 | 21 | 1 1/4 | — | 34 | 149 | 12 LOHB3-S | 12 LOHB3-SS | 420 |
| | 1 3/16-12 | 16 | 21 | 1 1/4 | — | 30 | 174 | 12-8 LOHB3-S | 12-8 LOHB3-SS | 420 |
| | 1 3/16-12 | 16 | 21 | 1 1/4 | — | 30 | 171 | 12-10 LOHB3-S | 12-10 LOHB3-SS | 420 |
| | 1 3/16-12 | 16 | 21 | 1 1/2 | — | 35 | 220 | 12-16 LOHB3-S | 12-16 LOHB3-SS | 420 |
| 25 | 1 7/16-12 | 21 | 25 | — | 41 | 39 | 218 | 16-25MMLOHB3S | | 420 |
| | 1 7/16-12 | 21 | 25 | 1 1/2 | — | 39 | 225 | 16 LOHB3-S | 16 LOHB3-SS | 420 |
| | 1 7/16-12 | 21 | 25 | 1 1/2 | — | 33 | 237 | 16-8 LOHB3-S | 16-8 LOHB3-SS | 420 |
| | 1 7/16-12 | 21 | 25 | 1 1/2 | — | 37 | 228 | 16-12 LOHB3-S | 16-12 LOHB3-SS | 420 |
| | 1 7/16-12 | 21 | 25 | 1 3/4 | — | 39 | 276 | 16-20 LOHB3-S | 16-20 LOHB3-SS | 420 |
| 30 | 1 11/16-12 | 26 | 25 | — | 46 | 39 | 269 | 20-30MMLOHB3S | | 280 |
| | 1 11/16-12 | 26 | 25 | 1 3/4 | — | 39 | 278 | 20 LOHB3-S | 20 LOHB3-SS | 280 |
| | 1 11/16-12 | 26 | 25 | 1 3/4 | — | 39 | 278 | 20-16 LOHB3-S | 20-16 LOHB3-SS | 280 |
| | 1 11/16-12 | 26 | 25 | 2 1/8 | — | 39 | 371 | 20-24 LOHB3-S | 20-24 LOHB3-SS | 280 |
| 38 | 2-12 | 32 | 25 | — | 55 | 39 | 374 | 24-38MMLOHB3S | | 280 |
| | 2-12 | 32 | 25 | 2 1/8 | — | 39 | 384 | 24 LOHB3-S | 24 LOHB3-SS | 280 |
| | 2-12 | 32 | 25 | 2 1/8 | — | 39 | 442 | 24-20 LOHB3-S | 24-20 LOHB3-SS | 280 |

O-Lok® is delivered with NBR elastomeric seals as standard. For more details on other seal materials see page J73–J74.

Part numbers shown are part of our current manufacturing programme.

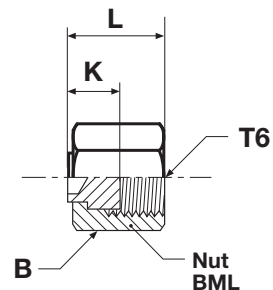
Imperial and metric parts may vary in hexagon dimensions.

$$\frac{\text{PN (bar)}}{10} = \text{PN (MPa)}$$

Pressure ratings – PN shown, apply to Steel and Stainless Steel versions of the product.

FNML Cap

O-Lok® ORFS Female swivel cap end
SAE 520112



| Thread UN/UNF-2B T6 | B mm | K mm | L mm | Weight (steel) g/1 piece | O-Lok® Steel | O-Lok® Stainless Steel | PN (bar) |
|---------------------------|---------|---------|---------|--------------------------------|-----------------|---------------------------|-------------|
| 9/16-18 | 17 | 9 | 17 | 6 | 4 FNL-S | 4FNMLSS | 630 |
| 11/16-16 | 22 | 11 | 18 | 10 | 6FNMLS | 6FNMLSS | 630 |
| 13/16-16 | 24 | 12 | 22 | 11 | 8FNMLS | 8FNMLSS | 630 |
| 1-14 | 30 | 14 | 25 | 31 | 10FNMLS | 10FNMLSS | 420 |
| 1 3/16-12 | 36 | 15 | 27 | 52 | 12FNMLS | 12FNMLSS | 420 |
| 1 7/16-12 | 41 | 16 | 29 | 81 | 16FNMLS | 16FNMLSS | 420 |
| 1 11/16-12 | 48 | 15 | 29 | 129 | 20 FNL-S | 20FNMLSS | 280 |
| 2-12 | 57 | 15 | 29 | 189 | 24 FNL-S | 24FNMLSS | 280 |
| 2 1/2-12 | 73 | 20 | 37 | 390 | 32 FNL-S | | 200 |

Part numbers shown are part of our current manufacturing programme.

Imperial and metric parts may vary in hexagon dimensions.

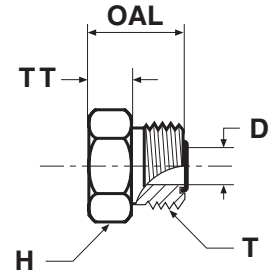
$$\frac{\text{PN (bar)}}{10} = \text{PN (MPa)}$$

Pressure ratings – PN shown, apply to Steel and Stainless Steel versions of the product.

J

PNMLO Plug

O-Lok® ORFS tube end plug
SAE 520109



| Tube O.D. | | Thread UN/UNF-2A T | D mm | H mm | OAL mm | TT mm | Weight (steel) g/1 piece | O-Lok® Steel | O-Lok® Stainless Steel | PN (bar) |
|------------|-----------|--------------------|------|------|--------|-------|--------------------------|------------------|------------------------|----------|
| mm | in. | | | | | | | | | |
| 6 | 1/4 | 9/16-18 | 5 | 16 | 17 | 5 | 18 | 4 PNLO-S | 4PNMLOSS | 630 |
| 8, 10 | 5/16, 3/8 | 11/16-16 | 7 | 19 | 19 | 8 | 34 | 6PNMLOS | 6PNMLOSS | 630 |
| 12 | 1/2 | 13/16-16 | 10 | 22 | 22 | 9 | 45 | 8PNMLOS | 8PNMLOSS | 630 |
| 14, 15, 16 | 5/8 | 1-14 | 13 | 27 | 26 | 10 | 91 | 10 PNLO-S | 10PNMLOSS | 420 |
| 18, 20 | 3/4 | 1 3/16-12 | 16 | 32 | 27 | 10 | 138 | 12PNMLOS | 12PNMLOSS | 420 |
| 22, 25 | 1 | 1 7/16-12 | 21 | 38 | 28 | 10 | 203 | 16 PNLO-S | 16PNMLOSS | 420 |
| 28, 30, 32 | 1 1/4 | 1 11/16-12 | 26 | 45 | 28 | 10 | 266 | 20 PNLO-S | 20PNMLOSS | 420 |
| 35, 38 | 1 1/2 | 2-12 | 32 | 54 | 28 | 10 | 369 | 24 PNLO-S | 24PNMLOSS | 350 |
| 50 | 2 | 2 1/2-12 | 45 | 70 | 35 | 13 | 580 | 32 PNLO-S | 32PNMLOSS | 200 |

O-Lok® is delivered with NBR elastomeric seals as standard. For more details on other seal materials see page J73–J74.

Part numbers shown are part of our current manufacturing programme.

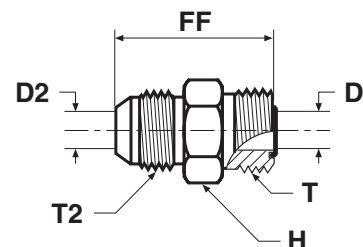
Imperial and metric parts may vary in hexagon dimensions.

$$\frac{\text{PN (bar)}}{10} = \text{PN (MPa)}$$

Pressure ratings – PN shown, apply to Steel and Stainless Steel versions of the product.

XHMLO Conversion union

Triple-Lok® 37° flare tube end/O-Lok® ORFS tube end



| mm | Tube O.D. | | Thread UN/UNF-2A T | Thread UN/UNF-2A T6 | D mm | D2 mm | FF mm | H mm | Weight (steel) g/1 piece | O-Lok® Steel | O-Lok® Stainless Steel | PN (bar) |
|------------|-----------|-----------|--------------------|---------------------|------|-------|-------|------|--------------------------|------------------|------------------------|----------|
| | mm | in. | | | | | | | | | | |
| 6 | | 1/4 | 9/16-18 | 7/16-20 | 5 | 5 | 32 | 16 | 29 | 4 XHLO-S | 4XHMLOSS | 500 |
| 8, 10 | | 5/16, 3/8 | 11/16-16 | 9/16-18 | 7 | 7 | 34 | 19 | 45 | 6 XHLO-S | 6XHMLOSS | 420 |
| 12 | | 1/2 | 13/16-16 | 3/4-16 | 10 | 10 | 39 | 22 | 70 | 8 XHLO-S | 8XHMLOSS | 420 |
| 14, 15, 16 | | 5/8 | 1-14 | 7/8-14 | 13 | 13 | 47 | 27 | 119 | 10 XHLO-S | 10XHMLOSS | 350 |
| 18, 20 | | 3/4 | 1 3/16-12 | 1 1/16-12 | 16 | 16 | 52 | 32 | 181 | 12 XHLO-S | 12XHMLOSS | 350 |
| 22, 25 | | 1 | 1 7/16-12 | 1 5/16-12 | 21 | 21 | 55 | 38 | 265 | 16 XHLO-S | 16XHMLOSS | 280 |
| 28, 30, 32 | | 1 1/4 | 1 11/16-12 | 1 5/8-12 | 26 | 26 | 58 | 45 | 383 | 20 XHLO-S | 20XHMLOSS | 280 |
| 35, 38 | | 1 1/2 | 2-12 | 1 7/8-12 | 32 | 32 | 63 | 54 | 562 | 24 XHLO-S | 24XHMLOSS | 210 |

O-Lok® is delivered with NBR elastomeric seals as standard. For more details on other seal materials see page J73–J74.

Part numbers shown are part of our current manufacturing programme.

Imperial and metric parts may vary in hexagon dimensions.

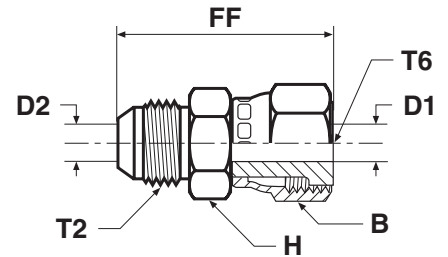
$$\frac{\text{PN (bar)}}{10} = \text{PN (MPa)}$$

Pressure ratings – PN shown, apply to Steel and Stainless Steel versions of the product.

J

XHML6 Conversion swivel nut connector

Triple-Lok® 37° flare tube end/O-Lok® ORFS female swivel end



| Tube O.D. | | Thread UN/UNF-2A T2 | Thread UN/UNF-2B T6 | B | D1 | D2 | FF | H | Weight (steel) | O-Lok® Steel | O-Lok® Stainless Steel | PN (bar) |
|------------|-----------|---------------------|---------------------|----|----|----|----|----|----------------|------------------|------------------------|----------|
| mm | in. | | | mm | mm | mm | mm | mm | g/1 piece | | | |
| 6 | 1/4 | 7/16-20 | 9/16-18 | 17 | 4 | 4 | 38 | 16 | 29 | 4 XHL6-S | 4XHML6SS | 500 |
| 8, 10 | 5/16, 3/8 | 9/16-18 | 11/16-16 | 21 | 7 | 7 | 41 | 19 | 46 | 6 XHL6-S | 6XHML6SS | 420 |
| 12 | 1/2 | 3/4-16 | 13/16-16 | 24 | 9 | 9 | 48 | 22 | 73 | 8 XHL6-S | 8XHML6SS | 420 |
| 14, 15, 16 | 5/8 | 7/8-14 | 1-14 | 29 | 12 | 12 | 56 | 27 | 126 | 10 XHL6-S | 10XHML6SS | 350 |
| 18, 20 | 3/4 | 1 1/16-12 | 1 3/16-12 | 35 | 14 | 14 | 64 | 32 | 205 | 12 XHL6-S | 12XHML6SS | 350 |
| 22, 25 | 1 | 1 5/16-12 | 1 7/16-12 | 41 | 20 | 20 | 68 | 38 | 285 | 16 XHL6-S | 16XHML6SS | 280 |
| 28, 30, 32 | 1 1/4 | 1 5/8-12 | 1 11/16-12 | 48 | 26 | 26 | 71 | 43 | 623 | 20 XHL6-S | 20XHML6SS | 280 |

Part numbers shown are part of our current manufacturing programme.

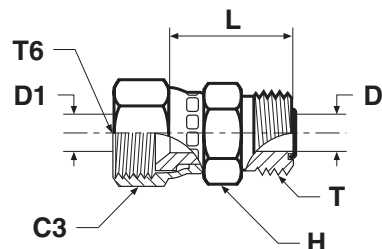
Imperial and metric parts may vary in hexagon dimensions.

$$\frac{\text{PN (bar)}}{10} = \text{PN (MPa)}$$

Pressure ratings – PN shown, apply to Steel and Stainless Steel versions of the product.

LOHMX6 Conversion swivel nut connector

Triple-Lok® 37 flare female swivel end/O-Lok® ORFS male end



| Tube O.D. | | Thread UN/UNF-2A T | Thread UN/UNF-2B T6 | C3 mm | D mm | D1 mm | H mm | L mm | Weight (steel) g/1 piece | O-Lok® Steel | O-Lok® Stainless Steel | PN (bar) |
|------------|-----------|--------------------|---------------------|-------|------|-------|------|------|--------------------------|-------------------|------------------------|----------|
| mm | in. | | | | | | | | | | | |
| 6 | 1/4 | 9/16-18 | 7/16-20 | 14 | 5 | 5 | 16 | 26 | 26 | 4 LOHX6-S | 4LOHMX6SS | 500 |
| 8, 10 | 5/16, 3/8 | 11/16-16 | 9/16-18 | 18 | 7 | 7 | 19 | 29 | 40 | 6 LOHX6-S | 6LOHMX6SS | 350 |
| 12 | 1/2 | 13/16-16 | 3/4-16 | 22 | 10 | 10 | 22 | 34 | 63 | 8 LOHX6-S | 8LOHMX6SS | 350 |
| 14, 15, 16 | 5/8 | 1-14 | 7/8-14 | 25 | 13 | 13 | 27 | 39 | 103 | 10 LOHX6-S | 10LOHMX6SS | 350 |
| 18, 20 | 3/4 | 1 3/16-12 | 1 1/16-12 | 32 | 16 | 16 | 32 | 41 | 162 | 12 LOHX6-S | 12LOHMX6SS | 350 |
| 22, 25 | 1 | 1 7/16-12 | 1 5/16-12 | 38 | 21 | 21 | 38 | 46 | 229 | 16 LOHX6-S | 16LOHMX6SS | 250 |

O-Lok® is delivered with NBR elastomeric seals as standard. For more details on other seal materials see page J73–J74.

Part numbers shown are part of our current manufacturing programme.

Imperial and metric parts may vary in hexagon dimensions.

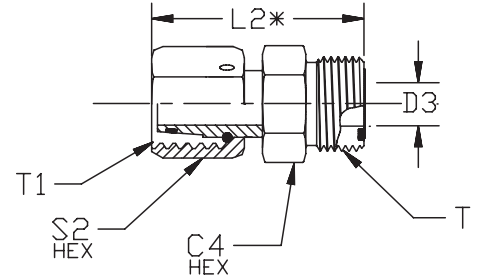
$$\frac{\text{PN (bar)}}{10} = \text{PN (MPa)}$$

Pressure ratings – PN shown, apply to Steel and Stainless Steel versions of the product.

J

LOHU86 EO swivel adapter

O-Lok® ORFS tube end/EO 24° DKO swivel



| Tube O.D. | | EO Swivel Size | Thread UN/UNF-2A T | Thread metric T1 | C4 mm | D3 mm | L2 mm | S2 mm | Weight (steel) g/1 piece | O-Lok® Steel | PN (bar) |
|-----------|-----|----------------|--------------------|------------------|-------|-------|-------|-------|--------------------------|------------------------|----------|
| mm | in. | | | | | | | | | | |
| 6 | 1/4 | 6L | 9/16-18 | 12×1.5 | 17 | 3 | 34 | 14 | 30 | 4-6L LOHU86-S | 500 |
| 6 | 1/4 | 8L | 9/16-18 | 14×1.5 | 17 | 4 | 34 | 17 | 50 | 4-8L LOHU86-S | 500 |
| 10 | 3/8 | 10L | 11/16-16 | 16×1.5 | 19 | 6 | 37 | 19 | 75 | 6-10L LOHU86-S | 500 |
| 12 | 1/2 | 12L | 13/16-16 | 18×1.5 | 22 | 8 | 39 | 22 | 145 | 8-12L LOHU86-S | 400 |
| 16 | 5/8 | 15L | 1-14 | 22×1.5 | 27 | 10 | 46 | 27 | 180 | 10-15L LOHU86-S | 400 |
| 20 | 3/4 | 18L | 1 3/16-12 | 26×1.5 | 32 | 13 | 48 | 32 | 250 | 12-18L LOHU86-S | 400 |
| 25 | 1 | 22L | 1 7/16-12 | 30×2 | 41 | 17 | 53 | 36 | 305 | 16-22L LOHU86-S | 250 |
| 6 | 1/4 | 6S | 9/16-18 | 14×1.5 | 17 | 3 | 34 | 17 | 30 | 4-6S LOHU86-S | 630 |
| 6 | 1/4 | 8S | 9/16-18 | 16×1.5 | 17 | 4 | 34 | 19 | 50 | 4-8S LOHU86-S | 630 |
| 10 | 3/8 | 10S | 11/16-16 | 18×1.5 | 19 | 5 | 37 | 22 | 75 | 6-10S LOHU86-S | 630 |
| 12 | 1/2 | 12S | 13/16-16 | 20×1.5 | 22 | 8 | 40 | 24 | 145 | 8-12S LOHU86-S | 630 |
| 16 | 5/8 | 14S | 1-14 | 22×1.5 | 27 | 9 | 47 | 27 | 180 | 10-14S LOHU86-S | 420 |
| 16 | 5/8 | 16S | 1-14 | 24×1.5 | 27 | 11 | 47 | 30 | 185 | 10-16S LOHU86-S | 420 |
| 20 | 3/4 | 20S | 1 3/16-12 | 30×2 | 32 | 14 | 52 | 36 | 260 | 12-20S LOHU86-S | 420 |
| 25 | 1 | 25S | 1 7/16-12 | 36×2 | 41 | 18 | 55 | 46 | 308 | 16-25S LOHU86-S | 420 |

O-Lok® is delivered with NBR elastomeric seals as standard. For more details on other seal materials see page J73–J74.

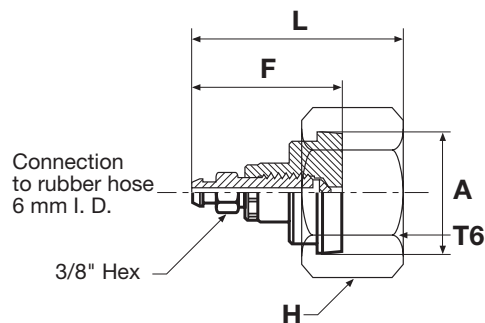
Part numbers shown are part of our current manufacturing programme.

Imperial and metric parts may vary in hexagon dimensions.

$$\frac{\text{PN (bar)}}{10} = \text{PN (MPa)}$$

FNLBA Bleed adaptor

O-Lok® ORFS female end



| Thread UN/UNF-2B T6 | A (mm) | F (mm) | H (mm) | L (mm) | Weight (steel) g/1 piece | O-Lok® Steel | O-Lok® Stainless Steel | PN (bar) |
|---------------------------|-----------|-----------|-----------|-----------|--------------------------------|-------------------|---------------------------|-------------|
| 13/16-16 | 19 | 41 | 24 | 53 | 49 | 8 FNLBA-S | 8 FNLBA-SS | 420 |
| 1-14 | 23 | 41 | 30 | 55 | 77 | 10 FNLBA-S | 10 FNLBA-SS | 420 |
| 1 3/16-12 | 27 | 41 | 36 | 56 | 111 | 12 FNLBA-S | 12 FNLBA-SS | 420 |
| 1 7/16-12 | 33 | 41 | 41 | 56 | 113 | 16 FNLBA-S | 16 FNLBA-SS | 420 |
| 1 11/16-12 | 40 | 41 | 50 | 56 | 151 | 20 FNLBA-S | 20 FNLBA-SS | 280 |
| 2-12 | 48 | 41 | 60 | 56 | 161 | 24 FNLBA-S | 24 FNLBA-SS | 280 |

Part numbers shown are part of our current manufacturing programme.

Imperial and metric parts may vary in hexagon dimensions.

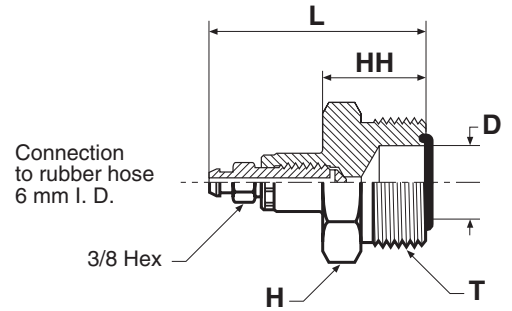
$$\frac{\text{PN (bar)}}{10} = \text{PN (MPa)}$$

Pressure ratings – PN shown, apply to Steel and Stainless Steel versions of the product.



PNLOBA Bleed adaptor

O-Lok® ORFS female end



| Tube O.D. | | Thread UN/UNF-2A T | D mm | H mm | HH mm | L mm | Weight (steel) g/1 piece | O-Lok® Steel | PN (bar) |
|------------|-----------|--------------------|------|------|-------|------|--------------------------|--------------------|----------|
| mm | in. | | | | | | | | |
| 6 | 1/4 | 9/16-18 | 5 | 17 | 20 | 48 | 57 | 4 PNLOBA-S | 420 |
| 8, 10 | 5/16, 3/8 | 11/16-16 | 7 | 19 | 22 | 50 | 64 | 6 PNLOBA-S | 420 |
| 12 | 1/2 | 13/16-16 | 10 | 22 | 23 | 53 | 93 | 8 PNLOBA-S | 420 |
| 14, 15, 16 | 5/8 | 1-14 | 13 | 27 | 26 | 56 | 127 | 10 PNLOBA-S | 420 |
| 18, 20 | 3/4 | 1.3/16-12 | 16 | 32 | 27 | 58 | 220 | 12 PNLOBA-S | 420 |
| 22, 25 | 1 | 1.7/16-12 | 21 | 38 | 28 | 60 | 266 | 16 PNLOBA-S | 420 |
| 28, 30, 32 | 1 1/4 | 1.11/16-12 | 26 | 45 | 28 | 61 | 304 | 20 PNLOBA-S | 280 |
| 35, 38 | 1 1/2 | 2-12 | 32 | 54 | 28 | 63 | 422 | 24 PNLOBA-S | 280 |

O-Lok® is delivered with NBR elastomeric seals as standard. For more details on other seal materials see page J73–J74.

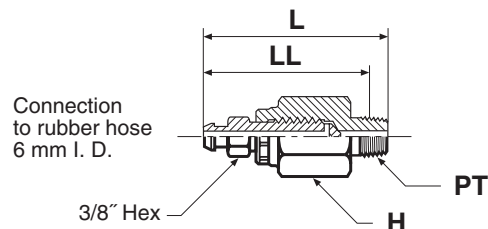
Part numbers shown are part of our current manufacturing programme.

Imperial and metric parts may vary in hexagon dimensions.

$$\frac{\text{PN (bar)}}{10} = \text{PN (MPa)}$$

HPBA Bleed adaptor

Bleed hose connection/Male NPTF thread (SAE J476)



| Thread NPTF PT | H mm | L mm | LL mm | O-Lok® Steel | PN (bar) |
|----------------------|---------|---------|----------|-------------------|-------------|
| 1/4-18 | 18 | 56 | 47 | 1/4 HPBA-S | 420 |

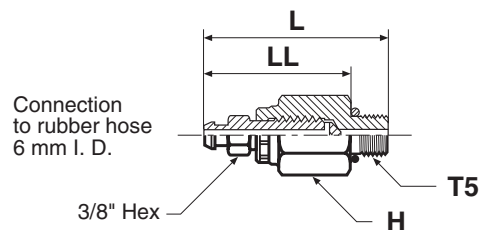
Imperial and metric parts may vary in hexagon dimensions.

$$\frac{\text{PN (bar)}}{10} = \text{PN (MPa)}$$



P5ONBA Bleed adaptor

Bleed hose connection/Male UN/UNF thread – O-ring (ISO 11926)



| Thread UN/UNF-2A T5 | H mm | L mm | LL mm | O-Lok® Steel | PN (bar) |
|---------------------------|---------|---------|-----------|-------------------|-------------|
| 7/16-20 | 18 | 52 | 41 | 4 P5ONBA-S | 420 |

O-Lok® is delivered with NBR elastomeric seals as standard. For more details on other seal materials see page J73–J74.

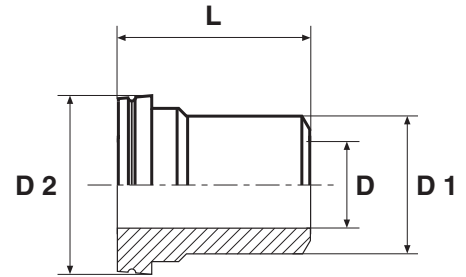
Part numbers shown are part of our current manufacturing programme.

Imperial and metric parts may vary in hexagon dimensions.

$$\frac{\text{PN (bar)}}{10} = \text{PN (MPa)}$$

TW3L Weld nipple

O-Lok® ORFS female end/Butt weld end

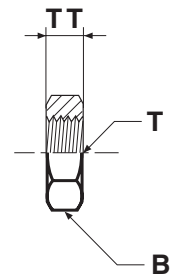


| Tube O.D. mm | D mm | D1 mm | D2 mm | L mm | Weight (steel) g/1 piece | O-Lok® Steel | O-Lok® Stainless Steel |
|--------------|------|-------|-------|------|--------------------------|----------------|------------------------|
| 6 | 2 | 6 | 13 | 25 | 10 | TW3LS6 | TW3LSS6 |
| 8 | 3 | 8 | 13 | 25 | 12 | TW3LS8 | TW3LSS8 |
| 10 | 4 | 10 | 16 | 26 | 15 | TW3LS10 | TW3LSS10 |
| 12 | 5 | 12 | 19 | 26 | 18 | TW3LS12 | TW3LSS12 |
| 16 | 10 | 16 | 23 | 32 | 25 | TW3LS16 | TW3LSS16 |
| 20 | 13 | 20 | 28 | 37 | 30 | TW3LS20 | TW3LSS20 |
| 25 | 16 | 25 | 34 | 42 | 37 | TW3LS25 | TW3LSS25 |
| 30 | 22 | 30 | 41 | 44 | 43 | TW3LS30 | TW3LSS30 |
| 38 | 28 | 38 | 48 | 49 | 70 | TW3LS38 | TW3LSS38 |

Part numbers shown are part of our current manufacturing programme.

WLNML Bulkhead locknut

SAE 520118/SAE 52M0118 ISO 8434-3 BHLN

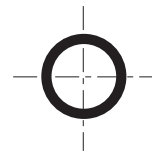


| Thread UN/UNF-2B T | B mm | TT mm | Weight (steel) g/1 piece | O-Lok® Steel | O-Lok® Stainless Steel |
|--------------------|------|-------|--------------------------|-------------------|------------------------|
| 9/16-18 | 22 | 7 | 11 | 4WLNMLS | 4WLNMLSS |
| 11/16-16 | 27 | 8 | 23 | 6WLNMLS | 6WLNMLSS |
| 13/16-16 | 30 | 9 | 26 | 8WLNMLS | 8WLNMLSS |
| 1-14 | 32 | 11 | 38 | 10WLNMLS | 10WLNMLSS |
| 1 3/16-12 | 38 | 11 | 44 | 12WLNMLS | 12WLNMLSS |
| 1 7/16-12 | 46 | 11 | 54 | 16WLNMLS | 16WLNMLSS |
| 1 11/16-12 | 51 | 10 | 73 | 20 WLNML-S | 20WLNMLSS |
| 2-12 | 60 | 10 | 102 | 24 WLNML-S | 24WLNMLSS |

Part numbers shown are part of our current manufacturing programme.

Imperial and metric parts may vary in hexagon dimensions.

Spare parts guide – O-Lok® retaining rings and seals



Face seal end O-rings SAE J1453/ISO 8434-3

| Dash size | Thread UN/UNF | O-ring order code | | O-ring ID × section mm |
|-----------|------------------|-------------------|--------------|---------------------------|
| | | NBR | FKM | |
| 4 | 9/16-18 | 2-011-N552-9 | 2-011-V894-9 | 7.65 × 1.78 |
| 6 | 11/16-16 | 2-012-N552-9 | 2-012-V894-9 | 9.25 × 1.78 |
| 8 | 13/16-16 | 2-014-N552-9 | 2-014-V894-9 | 12.42 × 1.78 |
| 10 | 1-14 | 2-016-N552-9 | 2-016-V894-9 | 15.60 × 1.78 |
| 12 | 1 3/16-12 | 2-018-N552-9 | 2-018-V894-9 | 18.77 × 1.78 |
| 16 | 1 7/16-12 | 2-021-N552-9 | 2-021-V894-9 | 23.52 × 1.78 |
| 20 | 1 11/16-12 | 2-025-N552-9 | 2-025-V894-9 | 29.87 × 1.78 |
| 24 | 2-12 | 2-029-N552-9 | 2-029-V894-9 | 37.82 × 1.78 |
| 32 | 2 1/2-12 | 2-135-N552-9 | 2-135-V894-9 | 48.90 × 2.62 |

BSPP male threads – ISO 1179

| Thread BSPP | ED seal order code | | O-ring order code* | | O-ring ID × section mm | Retainer ring Order code Steel | Retainer ring Order code Stainless Steel |
|----------------|--------------------|--------------|--------------------|--------------|------------------------------|--------------------------------------|--|
| | NBR | FKM | NBR | FKM | | | |
| 1/8 | ED10X1X | ED10X1VITX | 6-002-N552-9 | 6-002-V894-9 | 8.00 × 2.00 | 8207-1/8 | 8207SS1/8 |
| 1/4 | ED14X1.5X | ED14X1.5VITX | 2-111-N552-9 | 2-111-V894-9 | 10.77 × 2.62 | 8207-1/4 | 8207SS1/4A |
| 3/8 | ED3/8X | ED3/8VITX | 2-113-N552-9 | 2-113-V894-9 | 13.94 × 2.62 | 8207-3/8 | 8207SS3/8A |
| 1/2 | ED1/2X | ED1/2VITX | 5-256-N552-9 | 5-256-V894-9 | 17.96 × 2.62 | 8207-1/2 | 8207SS1/2 |
| 3/4 | ED26X1.5X | ED26X1.5VITX | 2-119-N552-9 | 2-119-V894-9 | 23.47 × 2.62 | 8207-3/4 | 8207SS3/4 |
| 1 | ED33X2X | ED33X2VITX | 2-217-N552-9 | 2-217-V894-9 | 29.74 × 3.53 | 8207-1 | 8207SS1A |
| 1 1/4 | ED42X2X | ED42X2VITX | 2-222-N552-9 | 2-222-V894-9 | 37.69 × 3.53 | 8207-1-1/4 | 8207SS1 1/4 |
| 1 1/2 | ED48X2X | ED48X2VITX | 2-224-N552-9 | 2-224-V894-9 | 44.04 × 3.53 | 8207-1-1/2 | 8207SS1 1/2 |

Typical fittings using these parts: F42EDMLO/C4OMLO/V4OMLO etc.

*Must be used with correct retainer ring.

Metric male threads – ISO 9974

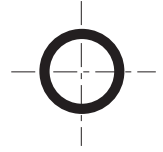
| Thread metric | ED seal order code | | O-ring order code* | | O-ring ID × section mm | Retainer ring Order code Steel | Retainer ring Order code Stainless Steel |
|------------------|--------------------|------------------|--------------------|--------------|------------------------------|--------------------------------------|--|
| | NBR | FKM | NBR | FKM | | | |
| M10×1 | ED10X1/R1/8 | ED10X1R1/8VIT | 6-074-N552-9 | 6-074-V894-9 | 8.00 × 1.50 | M10RR | RRM10X1SS |
| M12×1.5 | ED12X1.5 | ED14X1.5/VIT | 2-012-N552-9 | 2-012-V894-9 | 9.25 × 1.78 | M12RR | RRM12X1.5SS |
| M14×1.5 | ED14X1.5/R1/4 | ED14X1.5/R1/4VIT | 2-013-N552-9 | 2-013-V894-9 | 10.82 × 1.78 | M14RR | RRM14X1.5SS |
| M16×1.5 | ED16X1.5 | ED16X1.5/VIT | 3-907-N552-9 | 3-907-V894-9 | 13.46 × 2.08 | M16RR | RRM16X1.5SS |
| M18×1.5 | ED18X1.5 | ED18X1.5/VIT | 2-114-N552-9 | 2-114-V894-9 | 15.54 × 2.62 | M18RR | RRM18X1.5SS |
| M22×2 | ED22X1.5 | ED22X1.5VIT | 2-018-N552-9 | 2-018-V894-9 | 18.77 × 1.78 | M22RR | RRM22X1.5SS |
| M27×2 | ED26X1.5X** | ED26X1.5VITX | 2-119-N552-9 | 2-119-V894-9 | 23.47 × 2.62 | M27RR | RRM27X2SS |
| M33×2 | ED33X2R1 | ED33X2/R1VIT | 2-122-N552-9 | 2-122-V894-9 | 28.24 × 2.62 | M33RR | RRM33X2SS |
| M42×2 | ED42X2/R1.1/4 | ED42X2R1.1/4VIT | 2-128-N552-9 | 2-128-V894-9 | 37.77 × 2.62 | M42RR | RRM42X2SS |
| M48×2 | ED48X2/R1.1/2 | ED48X2R1.1/2VIT | 2-132-N552-9 | 2-132-V894-9 | 44.12 × 2.62 | M48RR | RRM48X2SS |

Typical fittings using these parts: F82EDMLO/C8OMLO/V8OMLO etc.

*Must be used with correct retainer ring.

**Same seal used for M26×1.5 and M27×2

Spare parts guide – O-Lok® retaining rings and seals



UN/UNF male threads – ISO 11926

| Dash size | Thread UN/UNF | O-ring order code | | O-ring ID × section mm |
|-----------|---------------|---------------------|---------------------|------------------------|
| | | NBR | FKM | |
| 2 | 5/16-24 | 3-902-N552-9 | 3-902-V894-9 | 6.07 × 1.63 |
| 3 | 3/8-24 | 3-903-N552-9 | 3-903-V894-9 | 7.65 × 1.63 |
| 4 | 7/16-20 | 3-904-N552-9 | 3-904-V894-9 | 8.92 × 1.83 |
| 5 | 1/2-20 | 3-905-N552-9 | 3-905-V894-9 | 10.52 × 1.83 |
| 6 | 9/16-18 | 3-906-N552-9 | 3-906-V894-9 | 11.89 × 1.98 |
| 8 | 3/4-16 | 3-908-N552-9 | 3-908-V894-9 | 16.36 × 2.21 |
| 10 | 7/8-14 | 3-910-N552-9 | 3-910-V894-9 | 19.18 × 2.46 |
| 12 | 1 1/16-12 | 3-912-N552-9 | 3-912-V894-9 | 23.47 × 2.95 |
| 14 | 1 3/16-12 | 3-914-N552-9 | 3-914-V894-9 | 26.59 × 2.95 |
| 16 | 1 5/16-12 | 3-916-N552-9 | 3-916-V894-9 | 29.74 × 2.95 |
| 20 | 1 5/8-12 | 3-920-N552-9 | 3-920-V894-9 | 37.47 × 3.00 |
| 24 | 1 7/8-12 | 3-924-N552-9 | 3-924-V894-9 | 43.69 × 3.00 |
| 32 | 2 1/2-12 | 3-932-N552-9 | 3-932-V894-9 | 59.36 × 3.00 |

Typical fittings using these parts: F5OMLO/C5OMLO/R5OMLO etc.

Metric male threads – ISO 6149

| Thread metric | O-ring order code | | O-ring ID × section (mm) |
|---------------|---------------------|---------------------|--------------------------|
| | NBR | FKM | |
| M10×1 | 6-345-N552-9 | 6-345-V894-9 | 8.20 × 1.50 |
| M12×1.5 | 6-346-N552-9 | 6-346-V894-9 | 9.40 × 2.10 |
| M14×1.5 | 6-347-N552-9 | 6-347-V894-9 | 11.40 × 2.10 |
| M16×1.5 | 6-348-N552-9 | 6-348-V894-9 | 13.40 × 2.10 |
| M18×1.5 | 6-349-N552-9 | 6-349-V894-9 | 15.40 × 2.10 |
| M22×1.5 | 6-350-N552-9 | 6-350-V894-9 | 19.40 × 2.10 |
| M27×2 | 6-351-N552-9 | 6-351-V894-9 | 23.70 × 2.80 |
| M33×2 | 6-352-N552-9 | 6-352-V894-9 | 29.70 × 2.80 |
| M42×2 | 6-353-N552-9 | 6-353-V894-9 | 38.70 × 2.80 |
| M48×2 | 6-354-N552-9 | 6-354-V894-9 | 46.70 × 2.80 |

Typical fittings using these parts: F87OMLO/S87OMLO etc.

Other seal compounds available on request for alternative applications.

SBR Braze ring



For metric tubing

| Tube O.D. mm | Order code |
|-----------------|--------------|
| 6 | SBR6 |
| 8 | SBR8 |
| 10 | SBR10 |
| 12 | SBR12 |
| 14 | SBR14 |
| 15 | SBR15 |
| 16 | SBR16 |
| 18 | SBR18 |
| 20 | SBR20 |
| 22 | SBR22 |
| 25 | SBR25 |
| 28 | SBR28 |
| 30 | SBR30 |
| 32 | SBR32 |
| 35 | SBR35 |
| 38 | SBR38 |
| 50 | SBR50 |

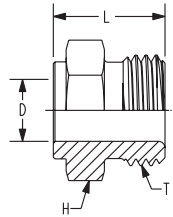
For inch tubing

| Tube O.D. in. | Order code |
|------------------|--------------|
| 1/4 | 4SBR |
| 3/8 | 6SBR |
| 1/2 | 8SBR |
| 5/8 | 10SBR |
| 3/4 | 12SBR |
| 1 | 16SBR |
| 1 1/4 | 20SBR |
| 1 1/2 | 24SBR |
| 2 | 32SBR |

Part numbers shown are part of our current manufacturing programme.

J

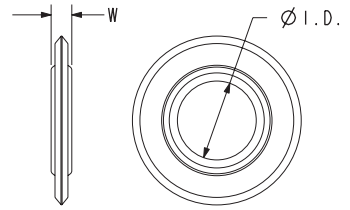
Flange-Seal components



Flange-Seal fitting
LHP

| Tube O.D. mm | Thread T UN/UNF-2A | H mm | L mm | Weight (steel) g/1 St. | Order code |
|--------------|--------------------|------|------|------------------------|-----------------|
| 1/4 | 9/16-18 | 16 | 15.0 | 15 | 4 LHP-S |
| 3/8 | 11/16-16 | 19 | 17.5 | 22 | 6 LHP-S |
| 1/2 | 13/16-16 | 22 | 20.0 | 33 | 8 LHP-S |
| 5/8 | 1-14 | 27 | 24.0 | 59 | 10 LHP-S |
| 3/4 | 1 3/16-12 | 32 | 25.5 | 85 | 12 LHP-S |

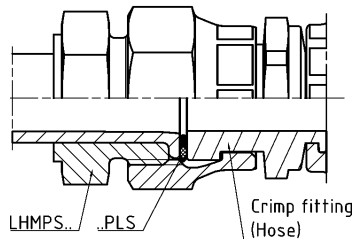
| Tube O.D. mm | Thread T UN/UNF-2A | H mm | L mm | Weight (steel) g/1 St. | Order code |
|--------------|--------------------|------|------|------------------------|----------------|
| 6 | 9/16-18 | 17 | 15.0 | 15 | LHMPS6 |
| 8 | 11/16-16 | 17 | 17.5 | 25 | LHMPS8 |
| 10 | 11/16-16 | 19 | 17.5 | 22 | LHMPS10 |
| 12 | 13/16-16 | 22 | 20.0 | 33 | LHMPS12 |
| 16 | 1-14 | 27 | 24.0 | 59 | LHMPS16 |
| 20 | 1 3/16-12 | 32 | 25.5 | 85 | LHMPS20 |



Bonded Seal element
PLS

| Fitting dash size | Tube O.D. mm | Tube O.D. inch | I.D. mm | W mm | Weight (steel) g/1 St. | Seal Order code |
|-------------------|--------------|----------------|---------|------|------------------------|---------------------|
| 4 | 6 | 1/4 | 6 | 2 | 1 | 4 PL-S N0702 |
| 6 | 8, 10 | 3/8 | 9 | 2 | 1 | 4 PL-S N0702 |
| 8 | 12 | 1/2 | 12 | 2 | 1 | 4 PL-S N0702 |
| 10 | 16 | 5/8 | 16 | 2 | 2 | 4 PL-S N0702 |
| 12 | 20 | 3/4 | 20 | 2 | 2 | 4 PL-S N0702 |

Pressure ratings and tube limitations

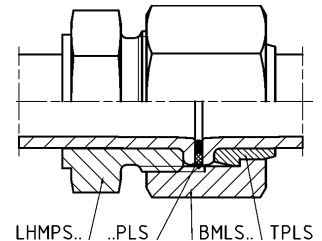


Tube to hose

| Order code | Dash size | Tube O.D. mm | max. wall thickness tube to hose | PN |
|----------------|-----------|--------------|----------------------------------|-----|
| LHMPS6 | 4 | 6 | 1.5 | 420 |
| LHMPS8 | 6 | 8 | 2.0 | 420 |
| LHMPS10 | 6 | 10 | 2.0 | 420 |
| LHMPS12 | 8 | 12 | 2.5 | 420 |
| LHMPS16 | 10 | 16 | 3.0 | 420 |
| LHMPS20 | 12 | 20 | 3.5 | 420 |

Tube to hose

| Order code | Dash size | Tube O.D. inch | max. wall thickness tube to hose | PN |
|-----------------|-----------|----------------|----------------------------------|-----|
| 4 LHP-S | 4 | 1/4 | 0.065 | 420 |
| 6 LHP-S | 6 | 3/8 | 0.095 | 420 |
| 9 LHP-S | 8 | 1/2 | 0.095 | 420 |
| 10 LHP-S | 10 | 5/8 | 0.120 | 420 |
| 12 LHP-S | 12 | 3/4 | 0.134 | 420 |



Tube to tube

| Order code | Dash size | Tube O.D. mm | max. wall thckn. Tube to tube | Example PN for St 37 NBK* |
|----------------|-----------|--------------|-------------------------------|---------------------------|
| LHMPS6 | 4 | 6 | 1.0 | 370 |
| LHMPS8 | 6 | 8 | 1.5 | 410 |
| LHMPS10 | 6 | 10 | 1.5 | 360 |
| LHMPS12 | 8 | 12 | 2.0 | 390 |
| LHMPS16 | 10 | 16 | 2.0 | 300 |
| LHMPS20 | 12 | 20 | 2.5 | 300 |

*For higher strenght tube, connection PN may be increased to maximum shown in Tube to hose table 420 bar.

Tube to tube

| Order code | Dash size | Tube O.D. inch | max. wall thckn. Tube to tube | Example PN for St 37 NBK* |
|-----------------|-----------|----------------|-------------------------------|---------------------------|
| 4 LHP-S | 4 | 1/4 | 0.049 | 400 |
| 6 LHP-S | 6 | 3/8 | 0.065 | 345 |
| 8 LHP-S | 8 | 1/2 | 0.095 | 385 |
| 10 LHP-S | 10 | 5/8 | 0.120 | 385 |
| 12 LHP-S | 12 | 3/4 | 0.120 | 320 |

*For higher strenght tube, connection PN may be increased to maximum shown in Tube to hose table 420 bar.